



Chipsmall Limited consists of a professional team with an average of over 10 year of expertise in the distribution of electronic components. Based in Hongkong, we have already established firm and mutual-benefit business relationships with customers from,Europe,America and south Asia,supplying obsolete and hard-to-find components to meet their specific needs.

With the principle of “Quality Parts,Customers Priority,Honest Operation,and Considerate Service”,our business mainly focus on the distribution of electronic components. Line cards we deal with include Microchip,ALPS,ROHM,Xilinx,Pulse,ON,Everlight and Freescale. Main products comprise IC,Modules,Potentiometer,IC Socket,Relay,Connector.Our parts cover such applications as commercial,industrial, and automotives areas.

We are looking forward to setting up business relationship with you and hope to provide you with the best service and solution. Let us make a better world for our industry!



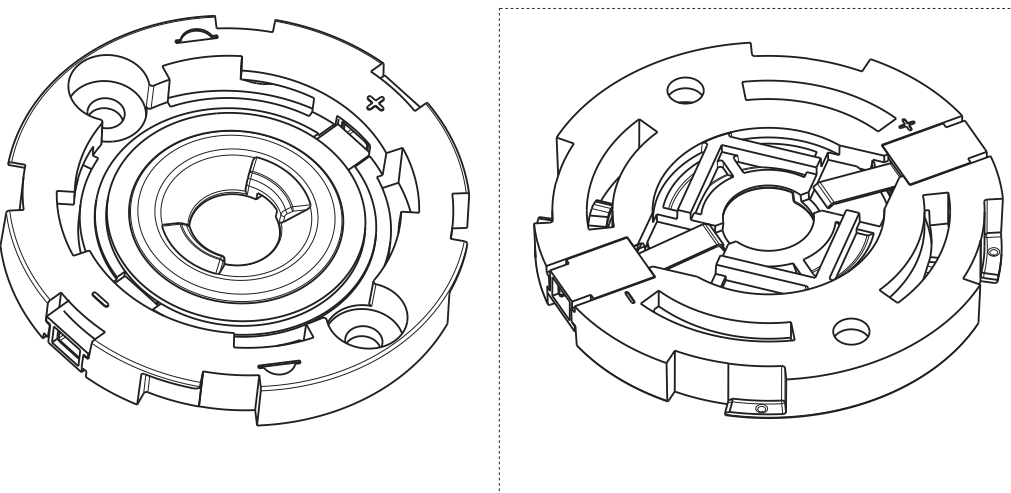
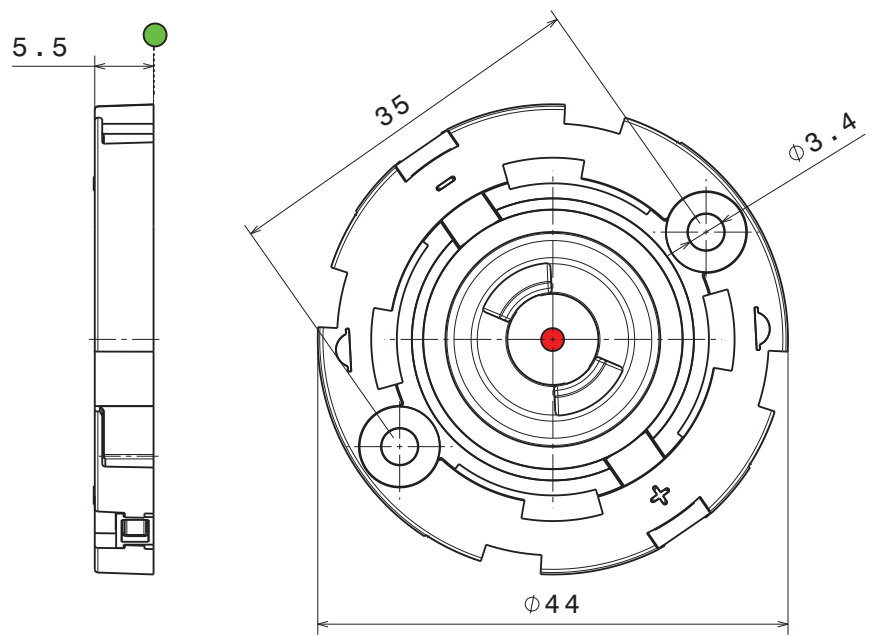
Contact us

Tel: +86-755-8981 8866 Fax: +86-755-8427 6832

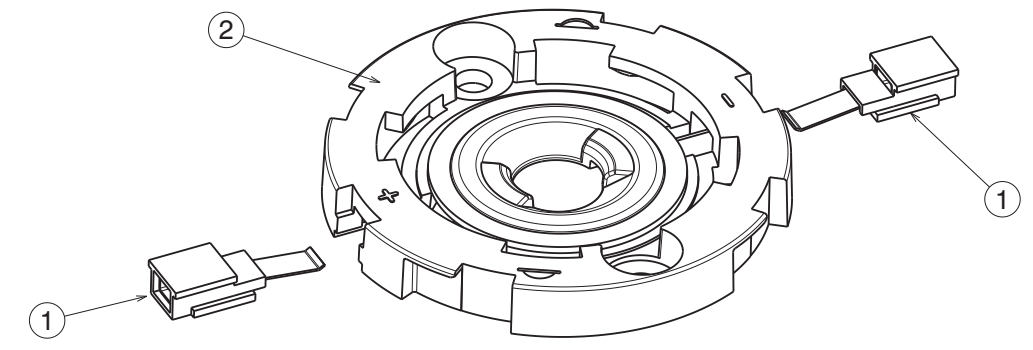
Email & Skype: info@chipsmall.com Web: www.chipsmall.com

Address: A1208, Overseas Decoration Building, #122 Zhenhua RD., Futian, Shenzhen, China





- Notes**
- PCB or Heat Sink level
 - Led location
- Ensure LED fitting, see our web site and/or 3D model for part detail.



Code table

HEKLA CONNECTOR	COB SIZE [mm]	LES MAX. [mm]	HEKLA-SOCKET
FP15490_HEKLA-A	12,5X12,5	φ9,0	F15253_HEKLA-SOCKET-A
FP15500_HEKLA-B	17,85X17,85	φ14,2	F15254_HEKLA-SOCKET-B
FP15501_HEKLA-C	13,5X13,5	φ11,6	F15255_HEKLA-SOCKET-C
FP15502_HEKLA-D	15,85X15,85	φ10,7	F15256_HEKLA-SOCKET-D
FP15503_HEKLA-E	15,8X15,8	φ14,3	F14988_HEKLA-SOCKET-E
FP15947_HEKLA-G	12X15	φ10	F15848_HEKLA-SOCKET-G
FP15948_HEKLA-H	16X19	φ14	F15858_HEKLA-SOCKET-H
FP15949_HEKLA-I	19X19	φ17	F15859_HEKLA-SOCKET-I
FP15957_HEKLA-J	13,35X13,35	φ7,5	F15956_HEKLA-SOCKET-J
			F15616_HEKLA-SOCKET-F

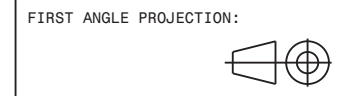
COMPONENTS

INDEX	PRODUCT	TYPE	MATERIAL	COLOUR/COATING
1	FPXXXXX_HEKLA-PIC-X	CONTACT SPRING ASSEMBLY	PBT+BeCu	White+gold
2	See code table	SOCKET	PBT	White
3	See code table	CONNECTOR	PBT+BeCu	White+gold

MECHANICAL DRAWING

PRODUCT
HEKLA-family

Tolerances if not otherwise shown
According to DIN ISO 2768-1
Linear measures:
Up to 30mm class M, otherwise class C.
According to DIN ISO 2768-2
Form and position: class L



LEDiL®

This drawing is the property of LEDiL Oy. It may not be reproduced, copied or communicated without a written agreement with LEDiL Oy.

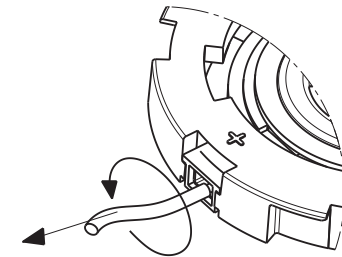
SCALE	2:1	SIZE	A3	SHEET	1/2
-------	-----	------	----	-------	-----

GENERAL INFORMATION	
RATED VOLTAGE/CURRENT	50VDC/3A FOR USE IN SELV AND CLASS 2 (USA) APPLICATIONS ONLY
WIRE TYPE AND SIZE	SOLID WIRE 22 AWG ($\phi 0,64\text{mm}$); TINNED WIRE 22-20 AWG(SOLDER DIPPED)
WIRE STRIP LENGTH	5 +/- 0,5 mm
FASTENING	SCREWS 2XM3, WASHER 2XM3
MAX.SCREW FIXING TORQUE	0,6Nm
MAX.TIM THICKNESS	0,25mm
RATED TEMPERATURE	110°C

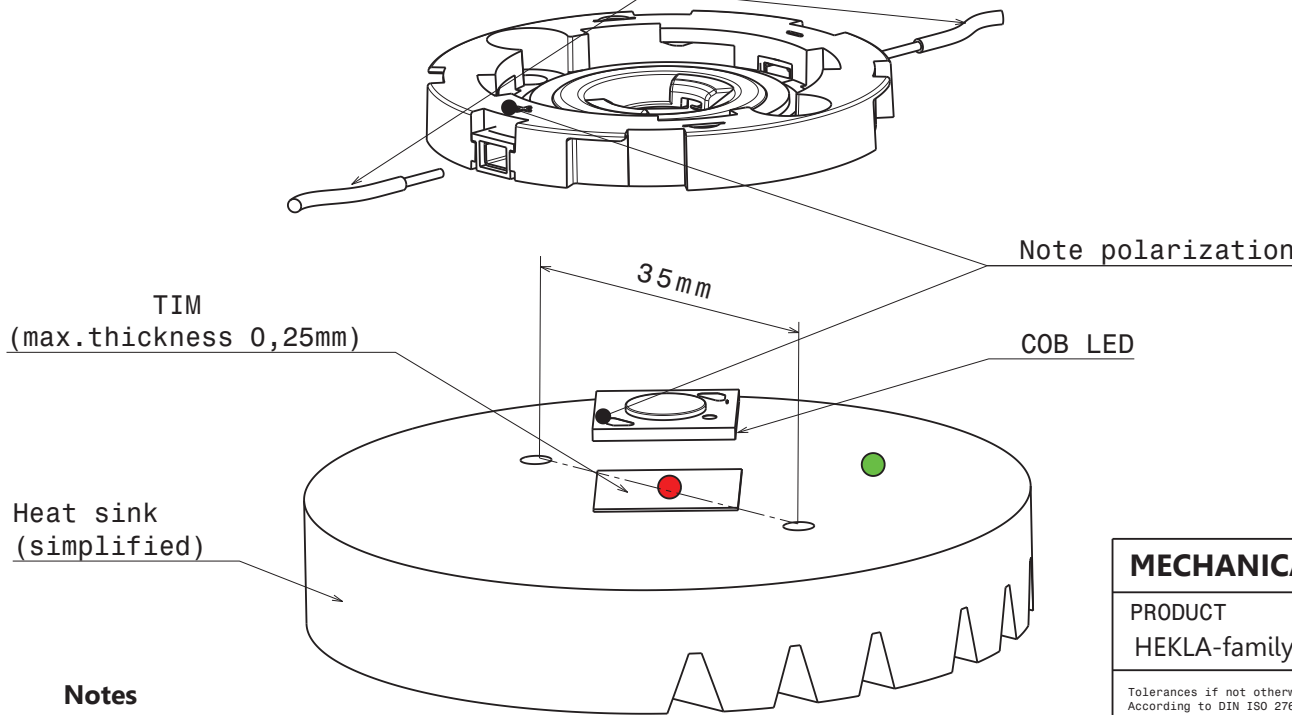
GENERAL ASSEMBLY INSTRUCTION

Solid wire AWG 22
Tinned wire AWG 22-20(solder dipped)
Strip length 5mm

Screws M3+Washers
(DIN125/DIN127)
Max.torque 0,6Nm



Remove the wire by slightly pulling and rotating at the same time. A new wire is recommended after removing the old one and check the functionality of the connector.



After wire installation, we recommend using a strain relief mechanism during the luminaire assembly to avoid any stress on the wires which may result in a loose connection.

Contact springs must not be subject to any excess force from the wires after the final assembly.

Notes

- PCB or Heat Sink level
- Led location
- Ensure LED fitting, see our web site and/or 3D model for part detail.

MECHANICAL DRAWING		LEDiL[®]
PRODUCT HEKLA-family		
<small>Tolerances if not otherwise shown According to DIN ISO 2768-1 Linear measures: Up to 30mm class M, otherwise class C. According to DIN ISO 2768-2 Form and position: class L</small>	FIRST ANGLE PROJECTION: 	<small>This drawing is the property of LEDiL Oy. It may not be reproduced, copied or communicated without a written agreement with LEDiL Oy.</small>
SCALE 2:1	SIZE A3	