



Chipsmall Limited consists of a professional team with an average of over 10 year of expertise in the distribution of electronic components. Based in Hongkong, we have already established firm and mutual-benefit business relationships with customers from,Europe,America and south Asia,supplying obsolete and hard-to-find components to meet their specific needs.

With the principle of “Quality Parts,Customers Priority,Honest Operation,and Considerate Service”,our business mainly focus on the distribution of electronic components. Line cards we deal with include Microchip,ALPS,ROHM,Xilinx,Pulse,ON,Everlight and Freescale. Main products comprise IC,Modules,Potentiometer,IC Socket,Relay,Connector.Our parts cover such applications as commercial,industrial, and automotives areas.

We are looking forward to setting up business relationship with you and hope to provide you with the best service and solution. Let us make a better world for our industry!



## Contact us

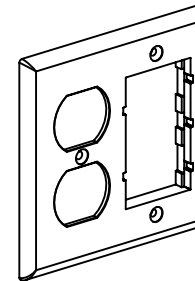
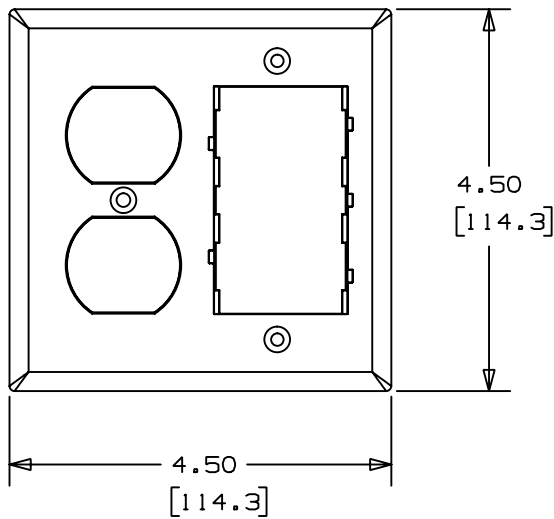
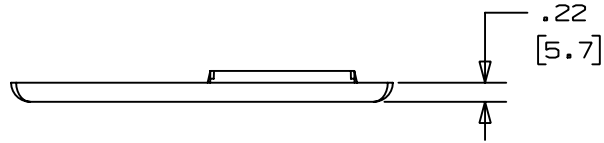
Tel: +86-755-8981 8866 Fax: +86-755-8427 6832

Email & Skype: info@chipsmall.com Web: www.chipsmall.com

Address: A1208, Overseas Decoration Building, #122 Zhenhua RD., Futian, Shenzhen, China



THIS COPY IS PROVIDED ON A RESTRICTED BASIS AND IS NOT TO BE USED IN ANY WAY DETRIMENTAL TO THE INTERESTS OF PANDUIT CORP.



PANDUIT P/N	WEIGHT
FP2DC	.7 LB/10 PCS (316 g/10 PCS)

NOTES:

1. SEE CURRENT CATALOG FOR ADDITIONAL PART SUFFIXES TO INDICATE COLOR AND OR PACKAGE QUANTITY.
2. COVERS STANDARD DUPLEX ELECTRICAL DEVICES AND PROVIDES PROPER SIZED OPENING TO ACCEPT TWO MINI-COM SLOPED OR FLAT INSERTS.
3. THIS PART IS SUPPLIED WITH ONE #6-32 X 3/8" SLOTTED COUNTERSUNK OVAL HEAD SCREW AND TWO #6-20 X 3/4" SLOTTED COUNTERSUNK OVAL HEAD SCREWS. SCREW HEADS HAVE PAINTED FINISH TO MATCH.
4. DIMENSIONS IN PARENTHESES ARE IN METRIC.

CAD FILENAME/LAYERS		D36282BF_DC_FP2DC_01	
<h1>PANDUIT</h1> CORP. TINLEY PARK, ILLINOIS			
2 GANG COMMUNICATIONS AND DUPLEX ELECTRICAL DEVICE FACEPLATE (FP2DC) CUSTOMER DRAWING			
UNLESS OTHERWISE SPECIFIED, DIMENSIONAL TOLERANCES ARE: (.X) ± (.XXX) ± (.XX) ±.03 (.8) ANGLES ±		UNLESS OTHERWISE SPECIFIED, ALL DIMENSIONS ARE GIVEN IN INCHES, THIRD ANGLE PROJECTION.	
1	10-14-98	DW	HIW
A. MATERIAL WAS PVC.		36282-06	HIW HIW
R	11-06-97	DW	HIW
RELEASED TO PRODUCTION.		36282-06	HIW
REV	DATE	BY	CHK
DESCRIPTION		ECN	CHK CUST SUP
DRAWN BY DW		MAT'L: ABS	
DATE 11-06-97		SCALE NONE	
CHECKED BY HIW		DRAWING NO. 36282-06	
		DWG A	
		SIZE A	