



Chipsmall Limited consists of a professional team with an average of over 10 year of expertise in the distribution of electronic components. Based in Hongkong, we have already established firm and mutual-benefit business relationships with customers from,Europe,America and south Asia,supplying obsolete and hard-to-find components to meet their specific needs.

With the principle of “Quality Parts,Customers Priority,Honest Operation,and Considerate Service”,our business mainly focus on the distribution of electronic components. Line cards we deal with include Microchip,ALPS,ROHM,Xilinx,Pulse,ON,Everlight and Freescale. Main products comprise IC,Modules,Potentiometer,IC Socket,Relay,Connector.Our parts cover such applications as commercial,industrial, and automotives areas.

We are looking forward to setting up business relationship with you and hope to provide you with the best service and solution. Let us make a better world for our industry!



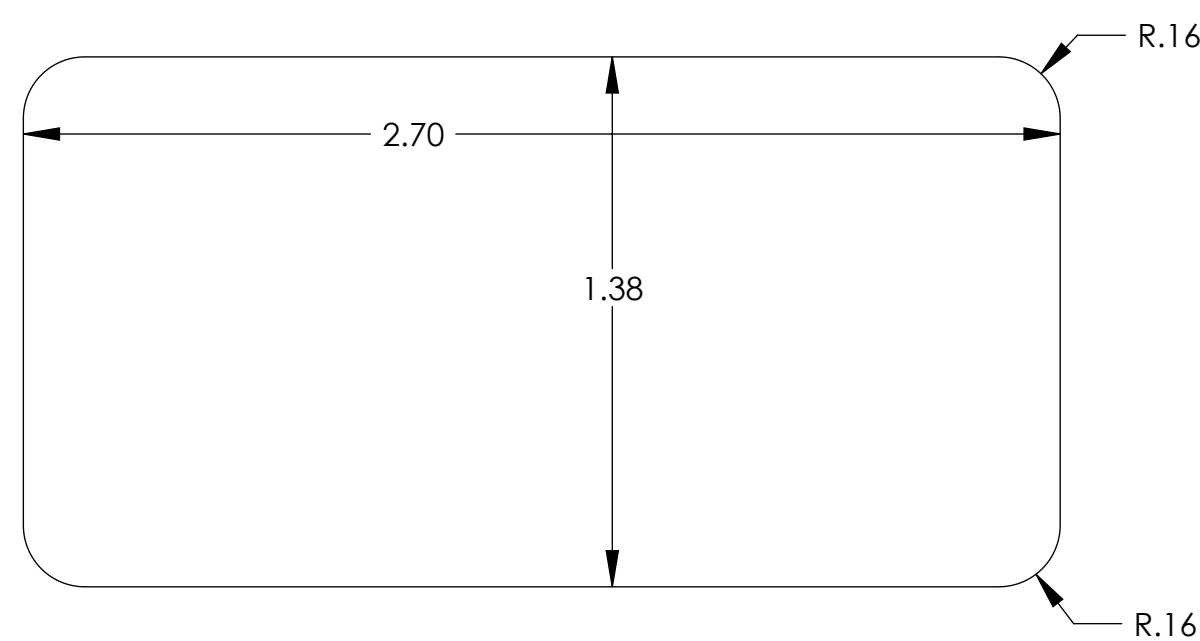
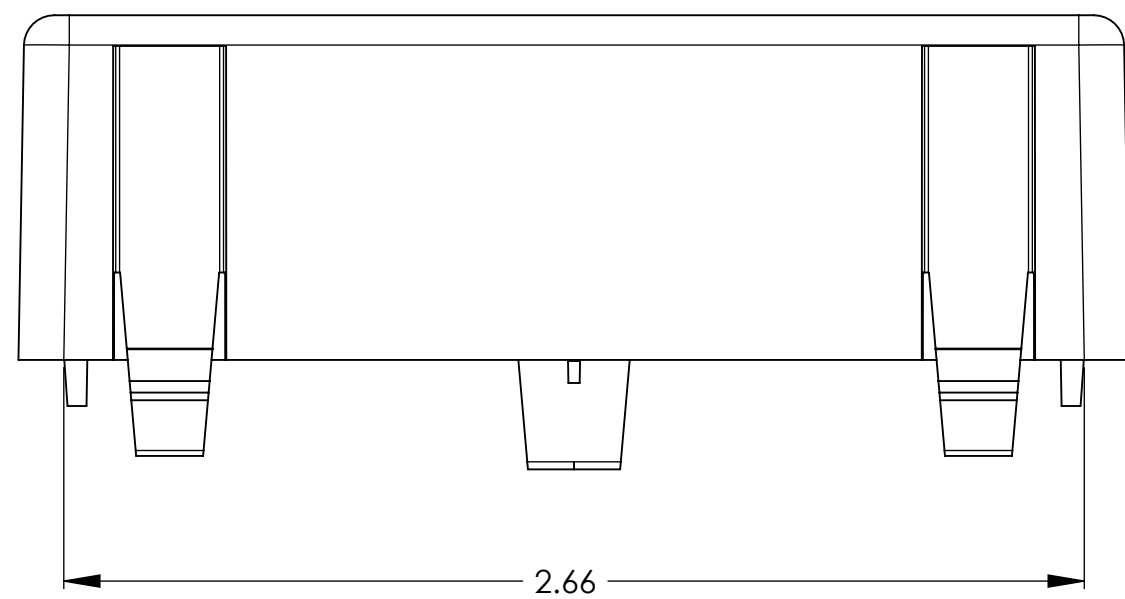
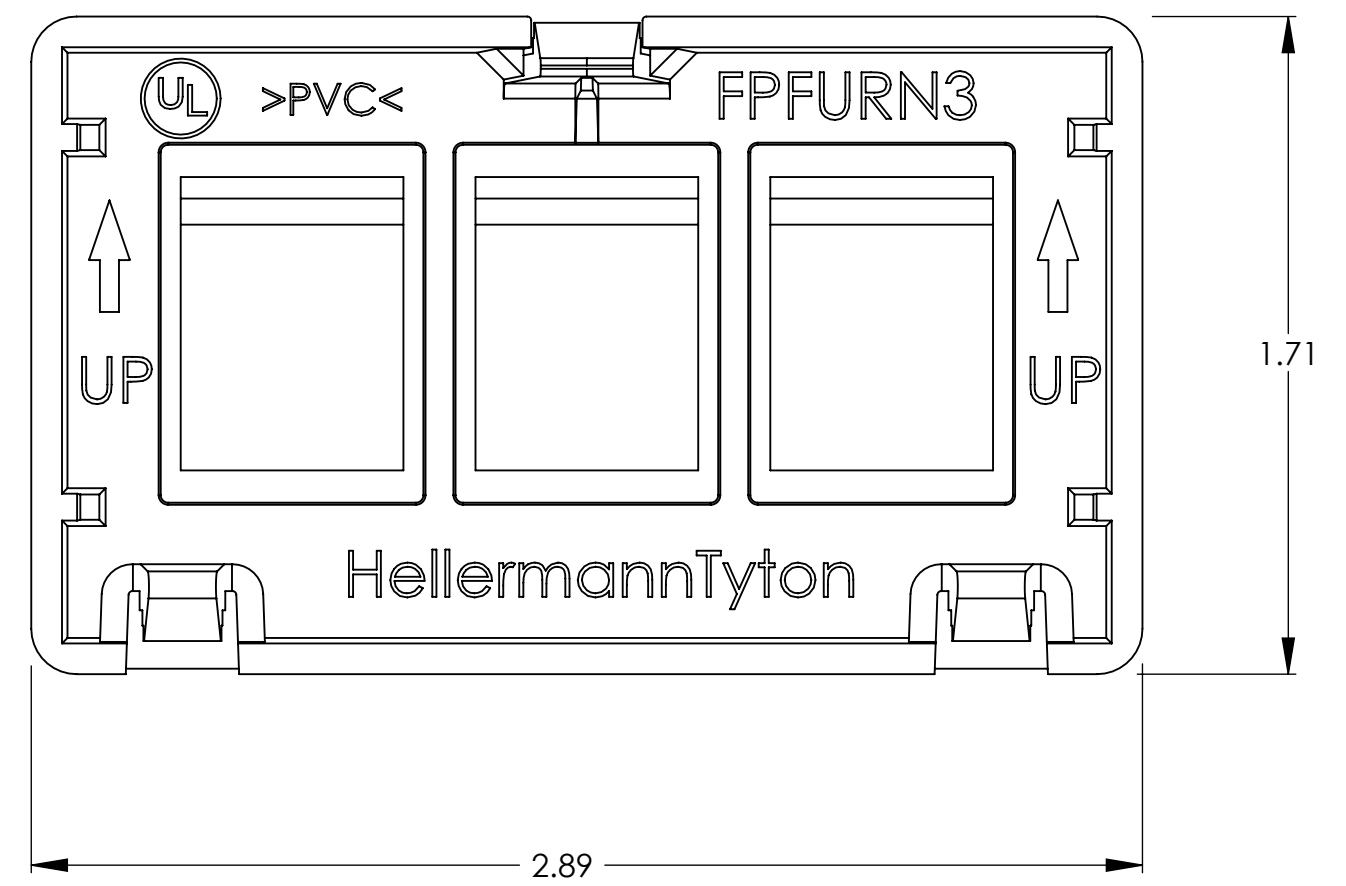
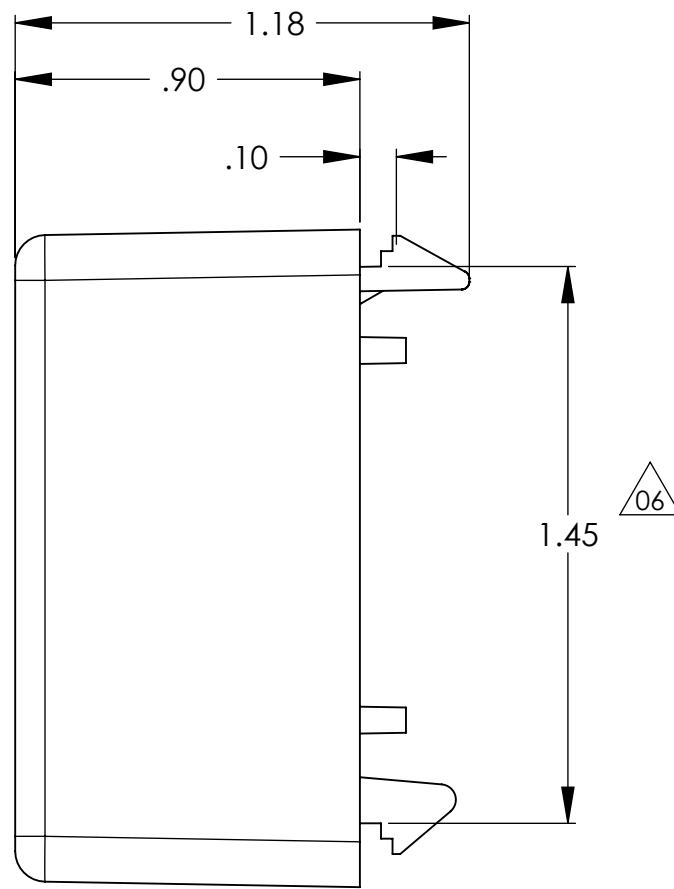
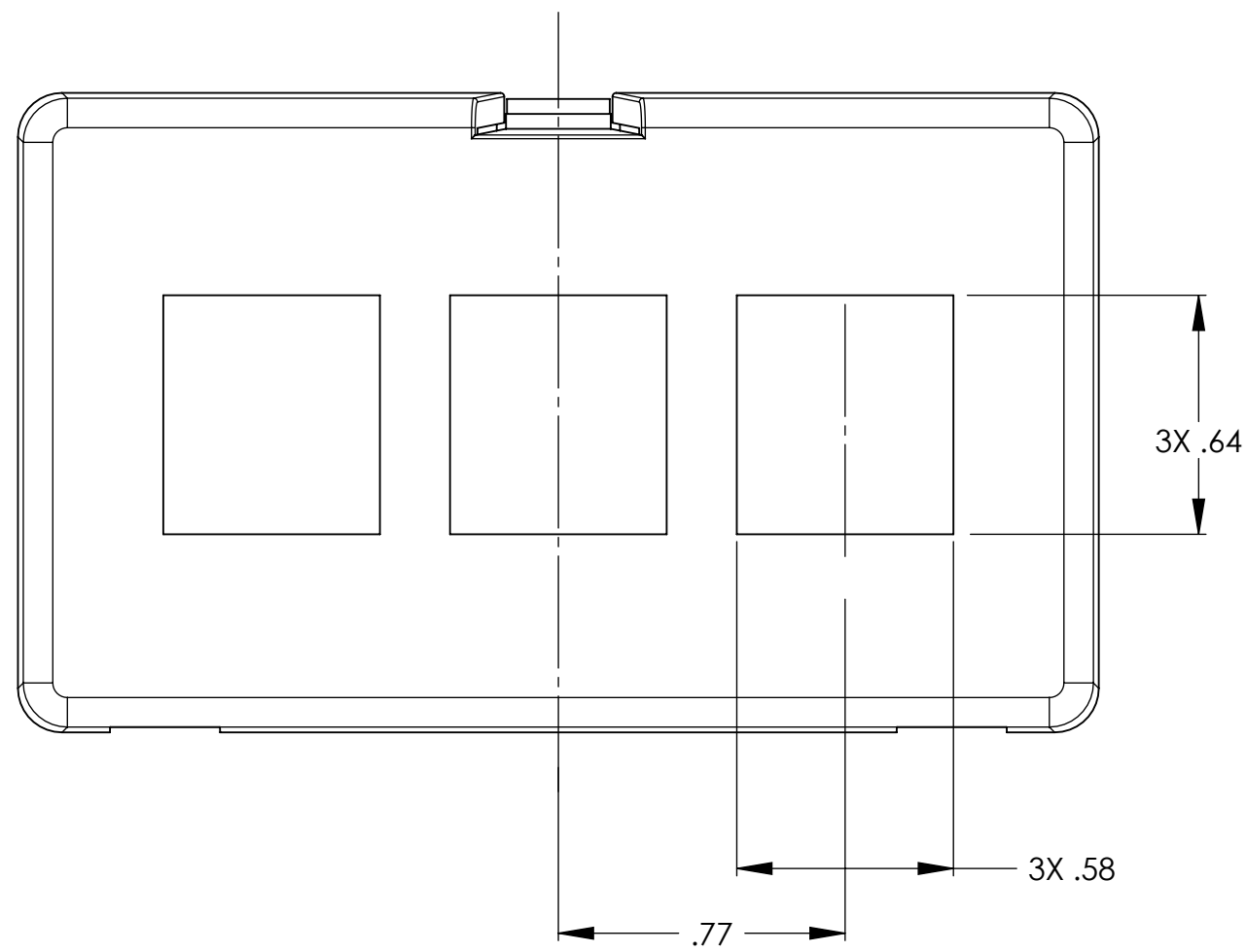
## Contact us

Tel: +86-755-8981 8866 Fax: +86-755-8427 6832

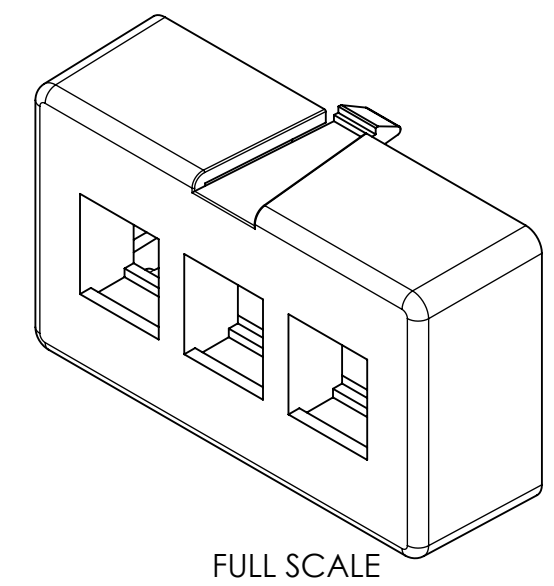
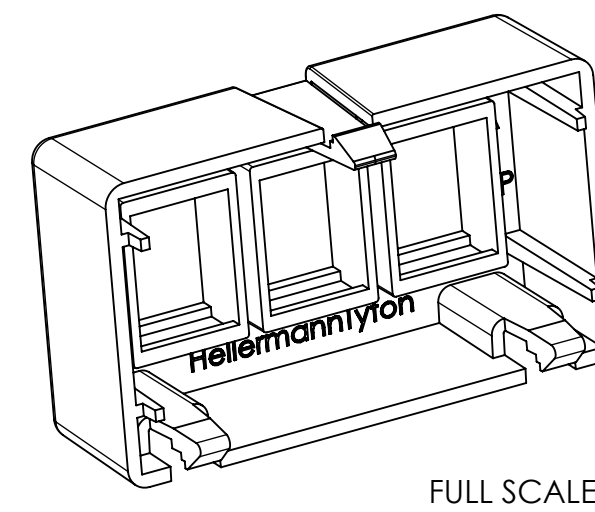
Email & Skype: info@chipsmall.com Web: www.chipsmall.com

Address: A1208, Overseas Decoration Building, #122 Zhenhua RD., Futian, Shenzhen, China





FITS OPENING OF APPROXIMATELY 1.38" X 2.70". IN .055" THICK METAL.



**PART NUMBER DESCRIPTION:**

X = COLOR. CONTACT FACTORY FOR AVAILABLE COLORS.

INVENTORS	<b>HellermannTyton.</b>		
	ALL PROPRIETARY RIGHTS IN THE SUBJECT MATTER SHOWN ON THIS DRAWING ARE EXCLUSIVE PROPERTY OF HELLERMANN TYTON		
	name	date	city, state

NOTES	MOUNTS THREE MODULAR JACKS.		

REVISIONS	level	<b>06</b>
	by	AAC
	date	12/12/14
	ECN #	012945
	part level	-

DIMENSIONS	.xxxx = ± .0005
	.xxx = ± .005
	.xx = ± .01
	.x = ± .03
	< = ±0.5°
units	inches

PART	number	FPFURN3-X	phase	PRODUCTION
	MODULAR FURNITURE FACE PLATE			
	material	PVC		

DRAWING	format	C	CAD	SW2011	scale	2:1
	computer file number	MI3020100CST_06		previous number		
	drawn	MEF	checked	KAC	approved	
	date	05/14/02	checked	12/12/14	approved	
	type	DETAIL		sheet	1 of 1	
number	<b>MI3020100CST</b>					