



Chipsmall Limited consists of a professional team with an average of over 10 year of expertise in the distribution of electronic components. Based in Hongkong, we have already established firm and mutual-benefit business relationships with customers from,Europe,America and south Asia,supplying obsolete and hard-to-find components to meet their specific needs.

With the principle of "Quality Parts,Customers Priority,Honest Operation,and Considerate Service",our business mainly focus on the distribution of electronic components. Line cards we deal with include Microchip,ALPS,ROHM,Xilinx,Pulse,ON,Everlight and Freescale. Main products comprise IC,Modules,Potentiometer,IC Socket,Relay,Connector.Our parts cover such applications as commercial,industrial, and automotives areas.

We are looking forward to setting up business relationship with you and hope to provide you with the best service and solution. Let us make a better world for our industry!



Contact us

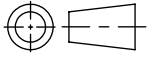
Tel: +86-755-8981 8866 Fax: +86-755-8427 6832

Email & Skype: info@chipsmall.com Web: www.chipsmall.com

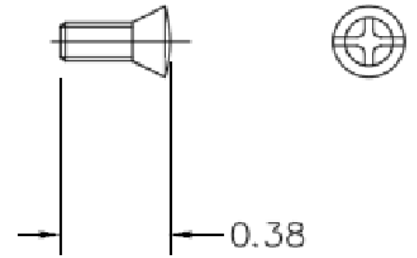
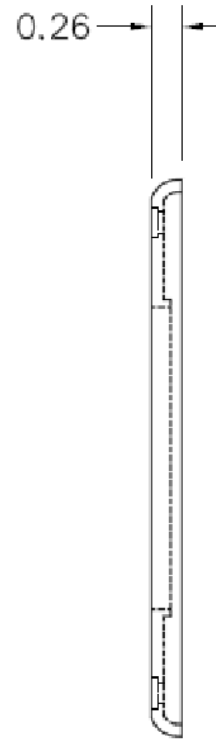
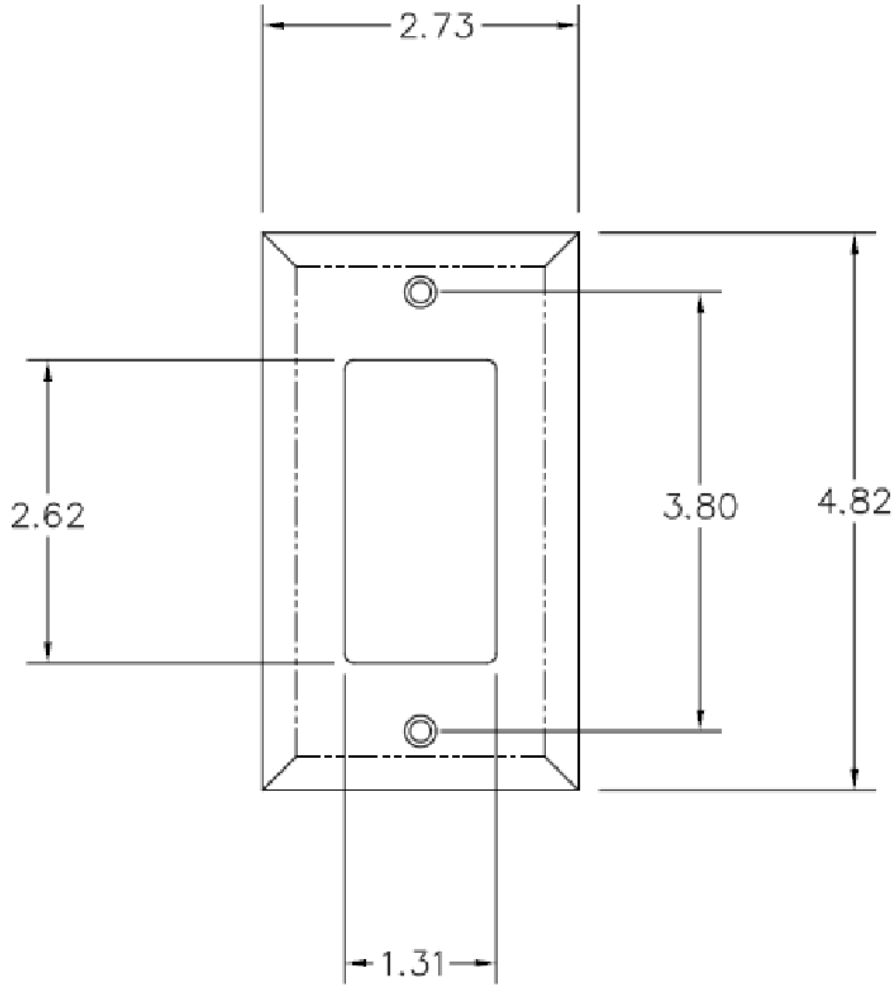
Address: A1208, Overseas Decoration Building, #122 Zhenhua RD., Futian, Shenzhen, China



SW2014



Revision level			Revision Record	Changed	Date	Approved	Date
Drawing	State	Part					
.			SEE ECN# 013157	SNH	6/11/2015	KAC	6/11/2015



SCREW, MOUNTING

Material
ABS 94V-0

Units: **millimeters**
 Dimension without tolerances details to:
 .XXX = ±.013
 .XX = ±.13
 .X = ±.3
 None = ±.8
 < = ±0.5°
 Dimension Formatted mm/[in]

The copyright of this drawing is reserved by HellermannTyton. It is issued on condition that it is not reproduced, copied, or disclosed to a third party, either wholly or in part, without the consent of HellermannTyton.

Drawn	SNH	6/11/2015
Approved	KAC	6/11/2015

HellermannTyton
 North America
 Email: corp@htamericas.com
 Web: www.hellermann.tyton.com

Article/Type-No	FPR	Scale	1:1
Title	RECTANGULAR DECORATOR FACEPLATE		Project Number
Drawing-No	15-0377-001-CSU		PRP 15-0377
: Phase		Format	AH
		Sheet	1/1