



Chipsmall Limited consists of a professional team with an average of over 10 year of expertise in the distribution of electronic components. Based in Hongkong, we have already established firm and mutual-benefit business relationships with customers from,Europe,America and south Asia,supplying obsolete and hard-to-find components to meet their specific needs.

With the principle of “Quality Parts,Customers Priority,Honest Operation,and Considerate Service”,our business mainly focus on the distribution of electronic components. Line cards we deal with include Microchip,ALPS,ROHM,Xilinx,Pulse,ON,Everlight and Freescale. Main products comprise IC,Modules,Potentiometer,IC Socket,Relay,Connector.Our parts cover such applications as commercial,industrial, and automotives areas.

We are looking forward to setting up business relationship with you and hope to provide you with the best service and solution. Let us make a better world for our industry!



## Contact us

Tel: +86-755-8981 8866 Fax: +86-755-8427 6832

Email & Skype: info@chipsmall.com Web: www.chipsmall.com

Address: A1208, Overseas Decoration Building, #122 Zhenhua RD., Futian, Shenzhen, China



BOM FOR PACKAGE	
ITEM	QTY.
SENSOR	1
ELBOW 90°	1
SPIGOT	1
NPT BUSHING	1
WARNING LABEL	1
INSTRUCTIONS	1

**INSTALLATION INSTRUCTIONS**

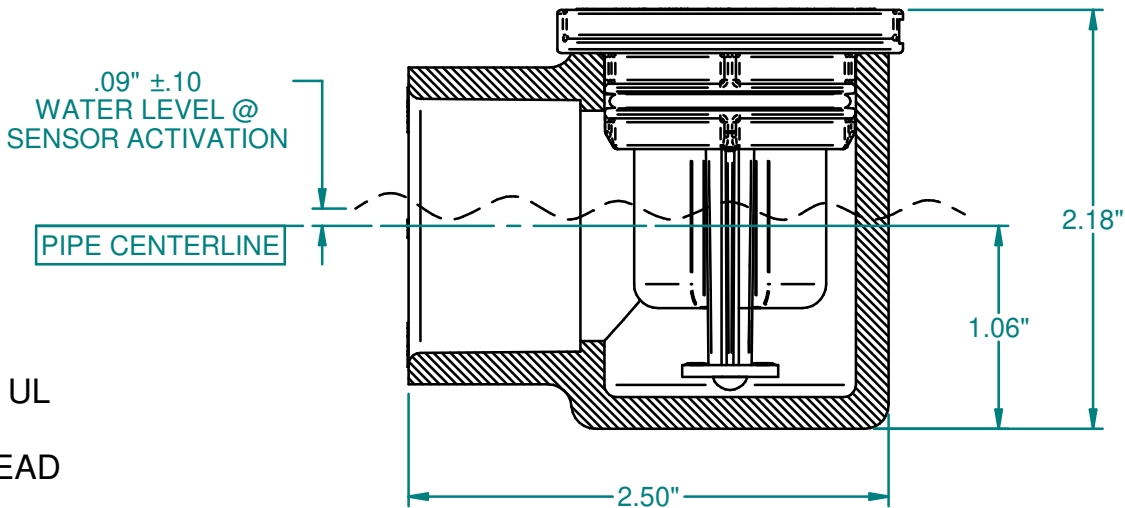
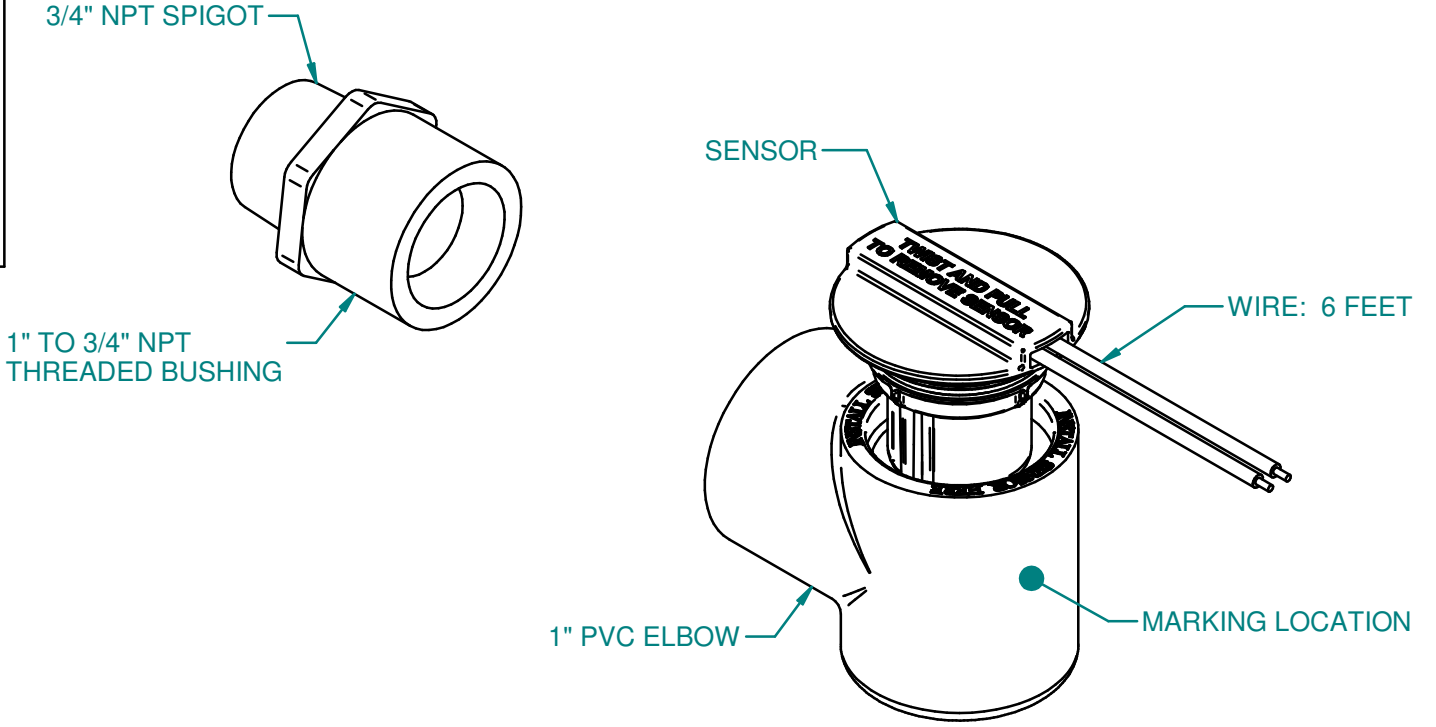
- \* REMOVE SENSOR PRIOR TO INSTALLATION
- \* DO NOT GLUE SENSOR TO HOUSING
- \* PLUG DRAIN AND FILL PAN TO CONFIRM SENSOR FUNCTION AFTER INSTALLATION
- \* REMOVE SENSOR TO CLEAN & INSPECT

\* ITEMS REQUIRED FOR ASSEMBLY

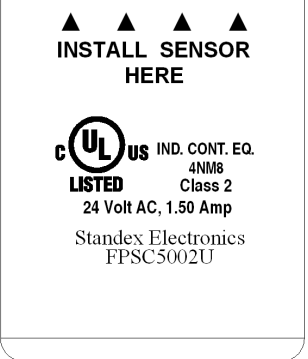
- PVC CEMENT
- TEFLON TAPE

**NOTES:**

- FLOAT MATERIAL: POLYPROPYLENE, WHITE
- HOUSING AND RETAINER RING MATERIAL: POLYPROPYLENE, BLACK
- O-RING MATERIAL: SILICONE
- OPERATING TEMPERATURES UP TO 70°C
- STORAGE TEMPERATURE UP TO 105°C
- ELECTRICAL CHARACTERISTICS:
  - POWER RATING (MAX) 50VA
  - SWITCHING VOLTAGE (MAX) 200 VDC, 150 VAC
  - BREAKDOWN VOLTAGE (MIN) 250VDC
  - CONTACT ARRANGEMENT SPST
  - SWITCHING CURRENT (MAX) 1.5 A DC, 1.5 A AC
  - CARRY CURRENT (MAX) 2.5 A DC, 2.5 A AC
  - CONTACT RESISTANCE 100 mΩ
  - INSULATION RESISTANCE (MIN) 10<sup>12</sup> Ω
  - SWITCH AGENCY LISTED UL E122752
- WIRE CONNECTIONS: 18AWG UL1007/1569 OR UL2468
- FLOAT SPECIFIC GRAVITY: 0.75 (REFERENCE ONLY)
- PLASTIC MATERIAL REGULATORY COMPLIANCE: FDA, RoHS, UL
- CONFORMS TO UL508
- MUST PASS MINIMUM OF 30 LBS. WIRE PULL TEST USING DEAD WEIGHT FOR ONE MINUTE



**MARKING DETAIL**



This drawing and the information and technical data contained hereon, are confidential and proprietary to Standex Electronics and shall not be used in whole or in part without Standex written consent

REVISIONS	DATE	DESCRIPTION
1	4/3/12 DCJ	INITIAL RELEASE
2		ADD INSTALLATION INSTRUCTIONS; ADD WATER LEVEL; ADD DIMENSIONS 10/25/12 DCJ
3	1/7/13 DCJ	ADD MARKING DETAIL

TOLERANCES When Unspecified	
Inches	Millimeters
2 Place Dec. ± .XX	1 Place Dec. ± .X
3 Place Dec. ± .XXX	2 Place Dec. ± .XX
Fractions ± X/X	Angles ± X°
Scale :	N/A

TITLE			
FPS-L			
Standex Electronics	a Standex company	CINCINNATI OHIO	
Dwn.	CCR	DATE	DRAWING NUMBER
App'd.	DCJ	4/2/2012	FPSC 5002U
		4/3/2012	REV. 3