



Chipsmall Limited consists of a professional team with an average of over 10 year of expertise in the distribution of electronic components. Based in Hongkong, we have already established firm and mutual-benefit business relationships with customers from,Europe,America and south Asia,supplying obsolete and hard-to-find components to meet their specific needs.

With the principle of "Quality Parts,Customers Priority,Honest Operation,and Considerate Service",our business mainly focus on the distribution of electronic components. Line cards we deal with include Microchip,ALPS,ROHM,Xilinx,Pulse,ON,Everlight and Freescale. Main products comprise IC,Modules,Potentiometer,IC Socket,Relay,Connector.Our parts cover such applications as commercial,industrial, and automotives areas.

We are looking forward to setting up business relationship with you and hope to provide you with the best service and solution. Let us make a better world for our industry!



Contact us

Tel: +86-755-8981 8866 Fax: +86-755-8427 6832

Email & Skype: info@chipsmall.com Web: www.chipsmall.com

Address: A1208, Overseas Decoration Building, #122 Zhenhua RD., Futian, Shenzhen, China



4

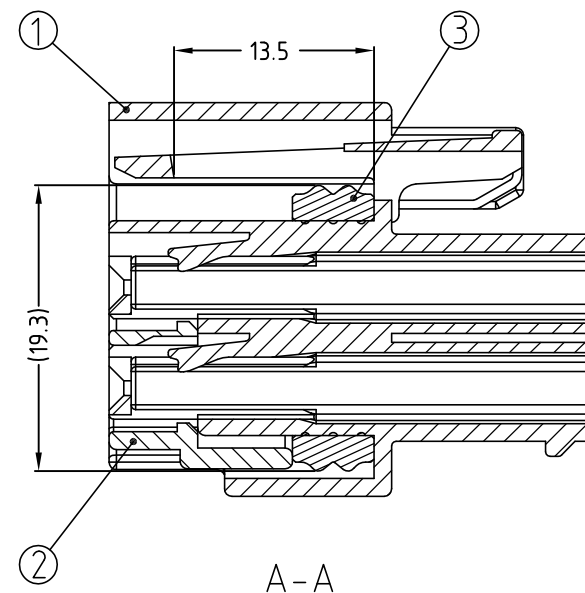
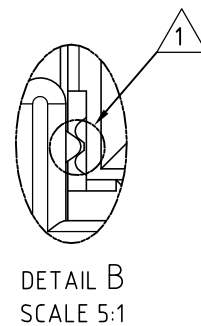
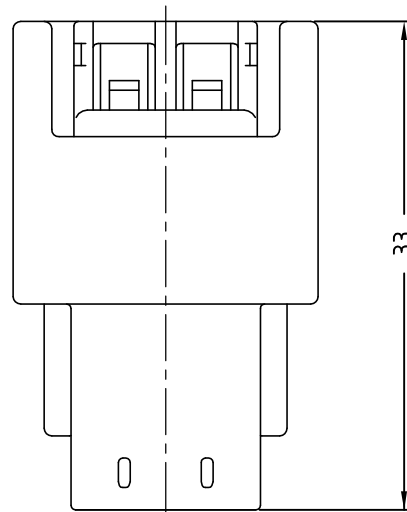
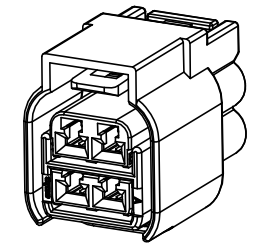
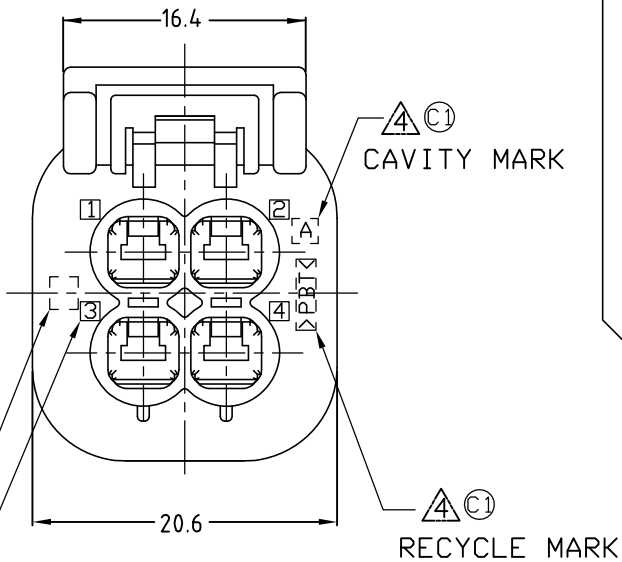
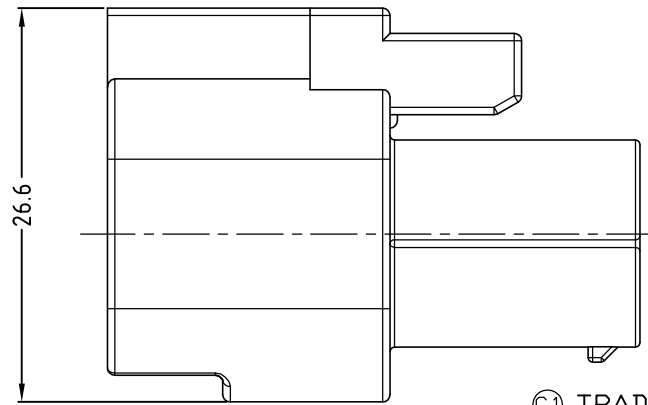
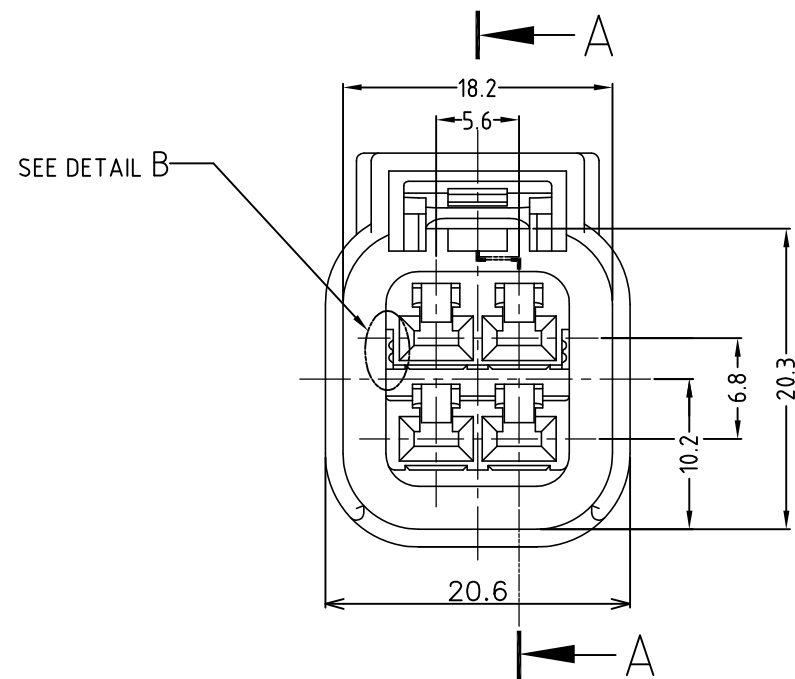
3

2

1

THIS DRAWING IS UNPUBLISHED. RELEASED FOR PUBLICATION
COPYRIGHT BY TYCO ELECTRONICS CORPORATION. ALL RIGHTS RESERVED.

LOC	DIST	REVISIONS					
DS	-	P	LTR	DESCRIPTION	DATE	DWN	APVD
			A2	REVISED (ECR-06-022051)	14/SEP/06	YH	JK
			B	REVISED (ECR-07-007451)	25/JUL/07	YS	JK
			C	REVISED (ECR-09-013524)	16/JUN/09	KT	HG
			C1	REVISED (ECR-10-017371)	14/SEP/10	SJ	HG



NOTES:

- 1. CONDITION OF DELIVERY: DBL PLATE IN OPEN POSITION
- 2. APPLIED RECEPTACLE CONTACT P/N:

CONTACT	MCP-E TERMINAL	
Part No.	936606-1	936607-1
WIRE SIZE(mm ²)	1.0 ~ 2.5	0.5 ~ 1.0

- 3. APPLIED MALE CONNECTOR P/N: 936293-2
- 4. ALL CHARACTERS SHALL BE CLEAR AND LEGIBLE
 - TRADE MARK: 1.0 CHARACTERS 0.2 RAISED
 - CAVITY MARK & CURCUIT NO: 1.0 CHARACTERS 0.2 RAISED
 - RECYCLE MARK: 1.0 CHARACTEERS 0.2 RAISED

NO.	COLOR	MATERIAL	DESCRIPTION	QTY	
3	RED ORANGE	SILICON	INNER SEAL	1	1
2	WHITE	PBT-GF10	DBL	1	1
1	GRAY	PBT	4P PLUG HSG	1	
1	BLACK	PBT	4P PLUG HSG		1

ASSY P/N	936254-3	936254-2
----------	----------	----------

THIS DRAWING IS A CONTROLLED DOCUMENT FOR TYCO ELECTRONICS CORPORATION IT IS SUBJECT TO CHANGE AND THE CONTROLLING ENGINEERING ORGANIZATION SHOULD BE CONTACTED FOR THE LATEST REVISION.

DIMENSIONS: mm	TOLERANCES UNLESS OTHERWISE SPECIFIED: 0 <XX<10 ± 0.2 10<XX<30 ± 0.25 30<XX ± 0.3 ANGLES ± 3°	DWN SJ CHOI CHK JW JUNG APVD HG CHO PRODUCT SPEC APPLICATION SPEC WEIGHT	NAME MCP-E SEALED 4P PLUG ASSEMBLY
3rd ANGLE PROJECTION	FINISH -	SIZE A3	CAGE CODE 00779
MATERIAL SEE TABLE		DRAWING NO C=936254	RESTRICTED TO -

Tyco Electronics Tyco Electronics
kyungsan, korea

SCALE 2:1 SHEET 1 OF 1 REV C1

CUSTOMER DRAWING