



Chipsmall Limited consists of a professional team with an average of over 10 year of expertise in the distribution of electronic components. Based in Hongkong, we have already established firm and mutual-benefit business relationships with customers from,Europe,America and south Asia,supplying obsolete and hard-to-find components to meet their specific needs.

With the principle of "Quality Parts,Customers Priority,Honest Operation,and Considerate Service",our business mainly focus on the distribution of electronic components. Line cards we deal with include Microchip,ALPS,ROHM,Xilinx,Pulse,ON,Everlight and Freescale. Main products comprise IC,Modules,Potentiometer,IC Socket,Relay,Connector.Our parts cover such applications as commercial,industrial, and automotives areas.

We are looking forward to setting up business relationship with you and hope to provide you with the best service and solution. Let us make a better world for our industry!



Contact us

Tel: +86-755-8981 8866 Fax: +86-755-8427 6832

Email & Skype: info@chipsmall.com Web: www.chipsmall.com

Address: A1208, Overseas Decoration Building, #122 Zhenhua RD., Futian, Shenzhen, China



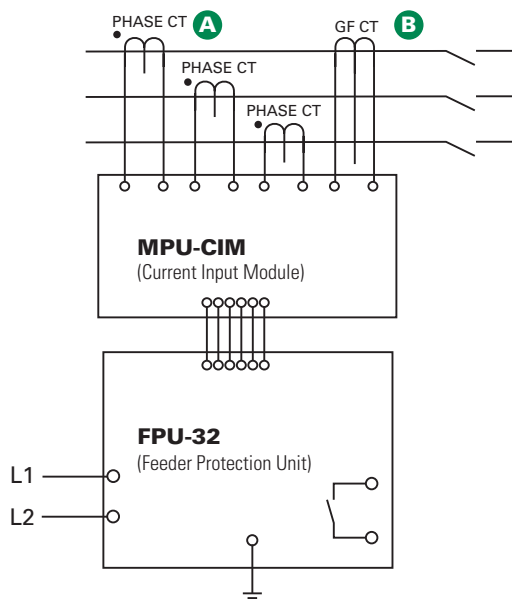
FPU-32 SERIES (PGR-7200)

Feeder Protection Unit



NOTE: The FPU-32 consists of the Feeder Protection Unit (pictured above) and the MPU-CIM Current Input Module (not pictured).

Simplified Circuit Diagram



Ordering Information

ORDERING NUMBER	COMMUNICATIONS
FPU-32-00-00	TIA-232
FPU-32-01-00	TIA-232 & RS-485
FPU-32-02-00	TIA-232 & DeviceNet™
FPU-32-04-00	TIA-232 & Ethernet

NOTE: One of the following is required: MPU-CIM-00-00 Current Input Module, or MPU-CTI-RT-00 Current Input Module with ring-tongue terminals.

ACCESSORIES	REQUIREMENT
Phase CTs	Recommended
Ground-Fault CT	Optional
MPU-16A-Y92A-96N	Optional


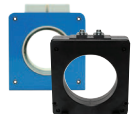
Description

The FPU-32 Feeder Protection Unit provides integrated protection, metering, and data-logging functions. It is an excellent choice for retrofitting and upgrading older relays because of its compact size and ability to use existing CTs. The FPU-32 is used to protect distribution feeders in processing, manufacturing, petroleum, chemical, and wastewater treatment facilities.

Features & Benefits

FEATURES	BENEFITS
IEC & IEEE overcurrent protection curves	Definite and inverse time settings for system coordination; prevents catastrophic failures
Two setpoint groups	Create distinctive settings for maintenance or for two different loads
Reduced overcurrent mode	Maintenance mode setting to reduce the risk of arc-flash hazards
Data logging	On-board 100-event recorder and remote data logging helps with system diagnostics
Overload	Thermal protection for connected load
Phase loss/Phase reverse (current)	Detects unhealthy supply conditions
Unbalance (current)	Prevents overheating due to unbalanced phases
Communications	Remotely view measured values, event records & reset trips

Accessories

- A**  **Phase Current Transformers**
Phase CTs are required to detect phase currents.
- B**  **Ground-Fault Transformer**
Zero-sequence current transformer detects ground-fault current. Available with 5-A and 30-A primary ratings for low-level pickup.

Specifications

Protective Functions (IEEE Device Numbers)	Overload (49, 51)	Definite-time overcurrent (50, 51)
	Phase sequence (46)	Inverse-time overcurrent (50, 51)
	Unbalance (46)	Ground fault (50G/N, 51G/N)
	Phase loss (46)	RTD/PTC temperature (49)
Input Voltage	65-265 Vac, 30 VA; 80-275 Vdc, 25 W	
Power-Up Time	800 ms at 120 vac	
Ride-Through Time	100 ms minimum	
24-Vdc Source	400 mA maximum	
AC Measurements	True RMS and DFT, Peak 32 samples/cycle and positive and negative sequence of fundamental	
Frequency	50, 60 Hz	
Output Contacts	Three Form C	
Approvals	CSA certified, CE, C-Tick (Australian), UL Recognized	
Communications	TIA-232 (standard); TIA-485, DeviceNet™, Ethernet (optional)	
Analog Output	4-20 mA, programmable	
Conformally Coated	Standard feature	
Warranty	10 years	
Mounting (Control Unit)	Panel (standard) Surface (with MPU-32-SMK converter kit)	
(Current Input Module)	DIN, Surface	