



Chipsmall Limited consists of a professional team with an average of over 10 year of expertise in the distribution of electronic components. Based in Hongkong, we have already established firm and mutual-benefit business relationships with customers from,Europe,America and south Asia,supplying obsolete and hard-to-find components to meet their specific needs.

With the principle of “Quality Parts,Customers Priority,Honest Operation,and Considerate Service”,our business mainly focus on the distribution of electronic components. Line cards we deal with include Microchip,ALPS,ROHM,Xilinx,Pulse,ON,Everlight and Freescale. Main products comprise IC,Modules,Potentiometer,IC Socket,Relay,Connector.Our parts cover such applications as commercial,industrial, and automotives areas.

We are looking forward to setting up business relationship with you and hope to provide you with the best service and solution. Let us make a better world for our industry!



Contact us

Tel: +86-755-8981 8866 Fax: +86-755-8427 6832

Email & Skype: info@chipsmall.com Web: www.chipsmall.com

Address: A1208, Overseas Decoration Building, #122 Zhenhua RD., Futian, Shenzhen, China

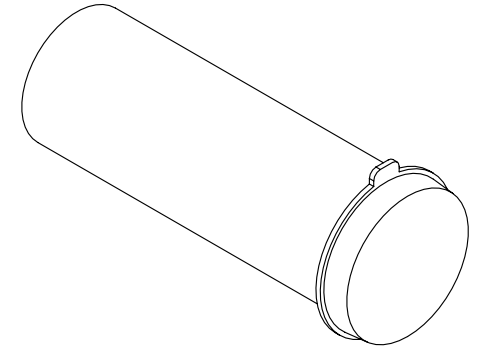
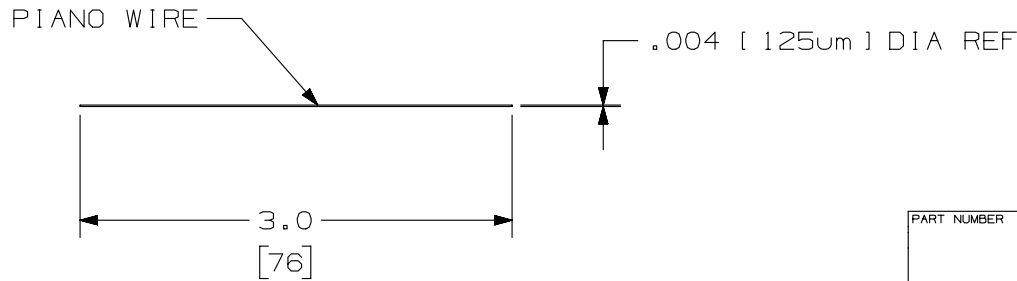
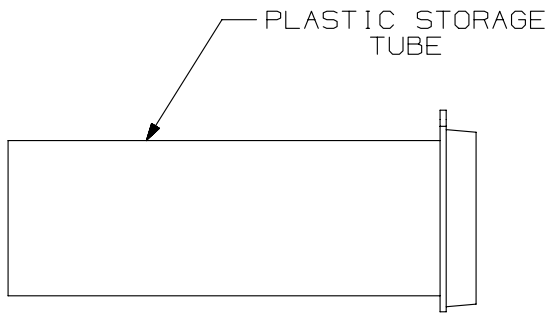


THIS COPY IS PROVIDED ON A RESTRICTED BASIS AND IS NOT TO BE USED IN ANY WAY DETRIMENTAL TO THE INTERESTS OF PANDUIT CORP.

PANDUIT PART NUMBER	WEIGHT
FPWIRE	.03 LB./TUBE [13.5 GRAMS/TUBE]

NOTES:

1. SEE CURRENT CATALOG FOR ADDITIONAL PART NUMBER SUFFIXES TO INDICATE PACKAGE QUANTITIES.
2. PIANO WIRE IS INTENDED TO BE USED TO REMOVE A BROKEN FIBER FROM THE FERRULE PRIOR TO TERMINATION.
3. PIANO WIRE IS CONSTRUCTED OF CARBIDE STEEL.
4. PIANO WIRE IS PACKAGED (8) PIECES OF WIRE PER PLASTIC STORAGE TUBE.
5. ALL DIMENSIONS IN BRACKETS ARE METRIC [mm].



PART NUMBER		FPWIRE	
TITLE			
TERMINATION KIT PIANO WIRE			
CUSTOMER DRAWING			
ITEM REVISION NAME		M01190CC/00	
DATASET FILE NAME		M01190CC_DC/00C	
UNLESS OTHERWISE SPECIFIED, DIMENSIONAL TOLERANCES ARE: IN [mm]		PANDUIT	
.x ± .xxx ± .010 [.3] .xx ± .03 [.8]			
ANGLES ±		DRAWING NUMBER:	
THIRD ANGLE PROJECTION		01190-27	
DRAWN BY	DATE	CHK	SCALE
EFK	07-24-03	RTF I	NONE
REV	DATE	BY	CHK
2	2/11/15	JSP	WJM
APR		RWB	
DESCRIPTION		ECN	
A. UPDATED DRAWING TITLE BLOCK.		01190-27	
SHT 1 OF 1		A	

D10100DA/14

2

1

2

1