



Chipsmall Limited consists of a professional team with an average of over 10 year of expertise in the distribution of electronic components. Based in Hongkong, we have already established firm and mutual-benefit business relationships with customers from,Europe,America and south Asia,supplying obsolete and hard-to-find components to meet their specific needs.

With the principle of “Quality Parts,Customers Priority,Honest Operation,and Considerate Service”,our business mainly focus on the distribution of electronic components. Line cards we deal with include Microchip,ALPS,ROHM,Xilinx,Pulse,ON,Everlight and Freescale. Main products comprise IC,Modules,Potentiometer,IC Socket,Relay,Connector.Our parts cover such applications as commercial,industrial, and automotives areas.

We are looking forward to setting up business relationship with you and hope to provide you with the best service and solution. Let us make a better world for our industry!



## Contact us

Tel: +86-755-8981 8866 Fax: +86-755-8427 6832

Email & Skype: info@chipsmall.com Web: www.chipsmall.com

Address: A1208, Overseas Decoration Building, #122 Zhenhua RD., Futian, Shenzhen, China

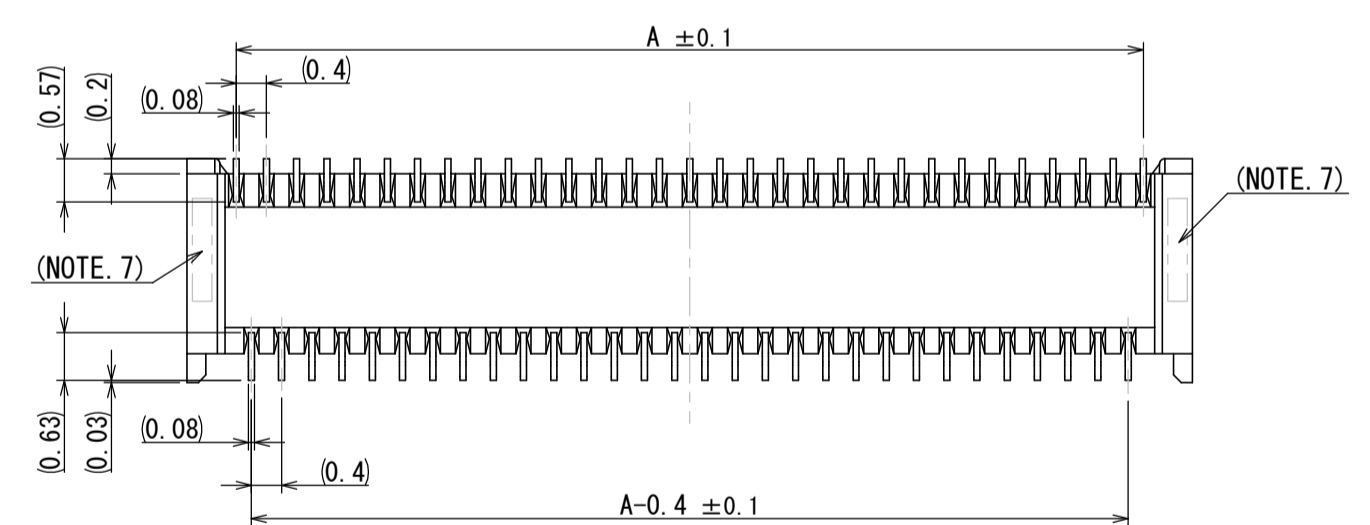
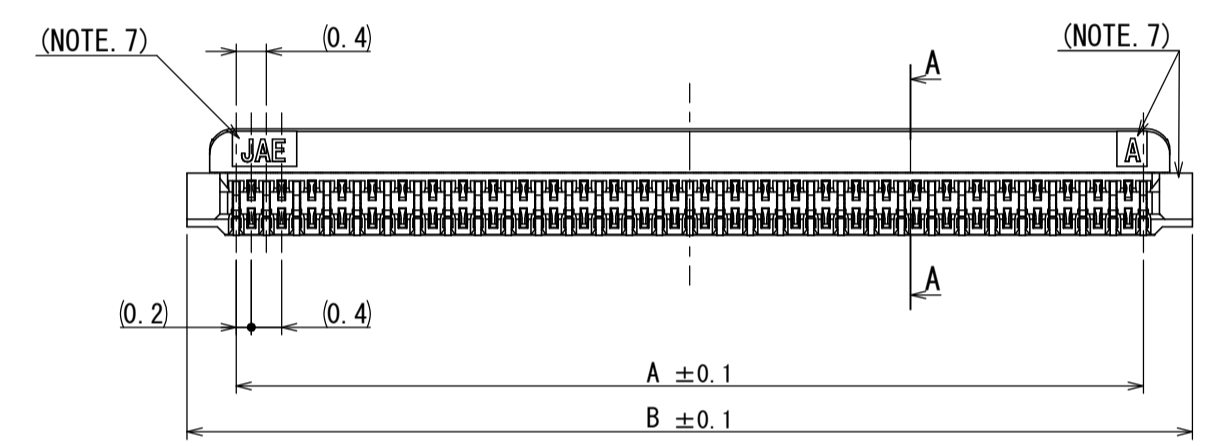
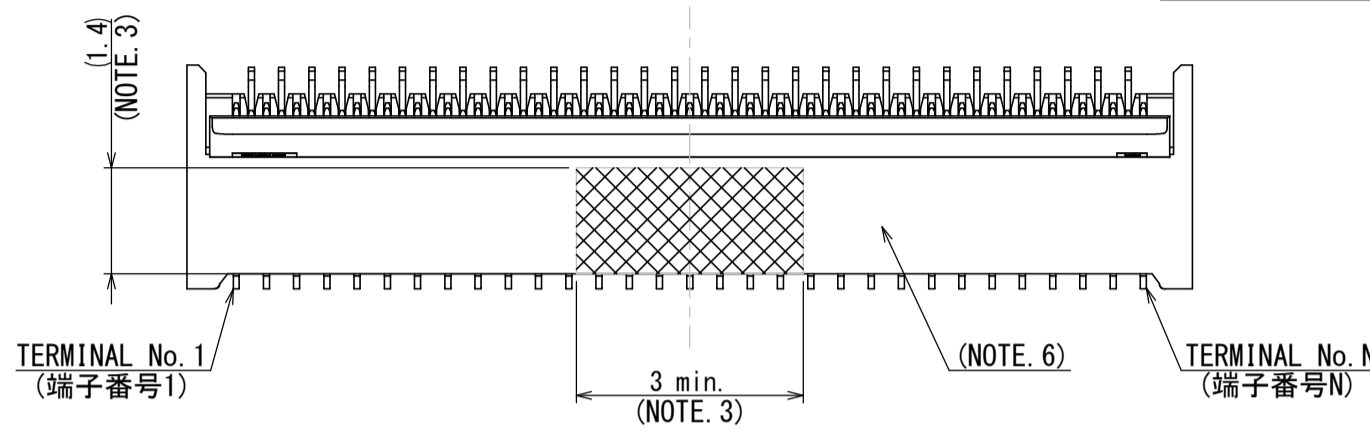




TABLE 2. DIMENSIONS

PIN COUNT	A	B
23	4.4	5.7
41	8.0	9.3
45	8.8	10.1
51	10.0	11.3
61	12.0	13.3

版数 VER.	年月日 DATE	図 CN NO.	変更内容 DESCRIPTION	製 DR.	担 CHK.	査 APPD.	承認 APPD.
2	20/JUN/2013	006616	ADDED ITEM: ADDED FIGURE OF APPLICABLE FPC. (REDACTION MARK: 3)		K. ASHIBU	H. YOKOO	M. KIKUCHI
3	27/AUG/2013	007323	CHANGED FIGURE OF APPLICABLE FPC. (REDACTION MARK: 2)		K. ASHIBU	H. YOKOO	M. KIKUCHI
4	26/FEB/2014	008611	ADDED ITEM: ADDED FIGURE OF APPLICABLE FPC. ETC. (REDACTION MARK: 4)		K. ASHIBU	H. YOKOO	M. KIKUCHI

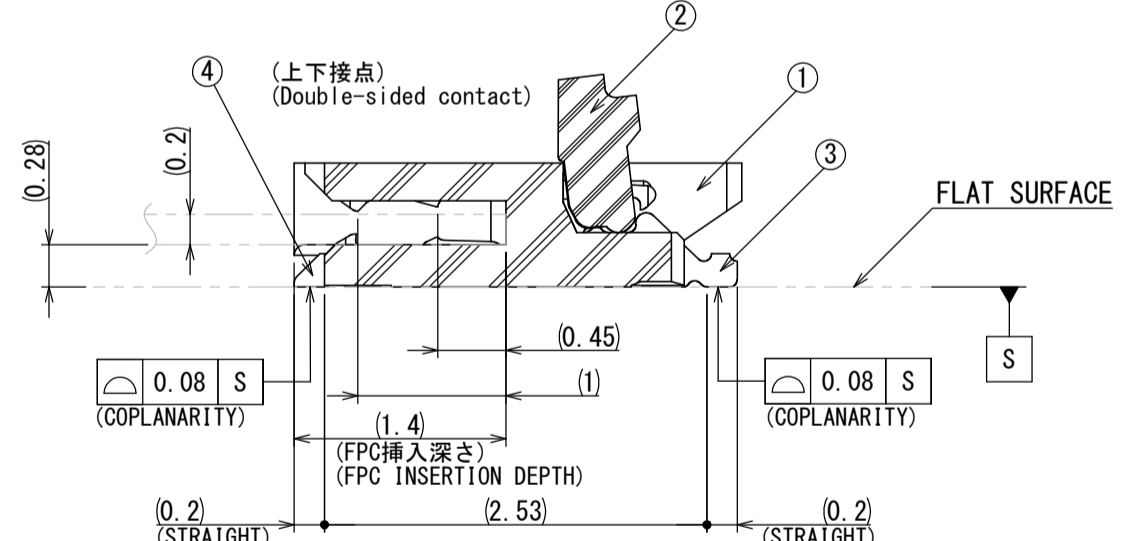
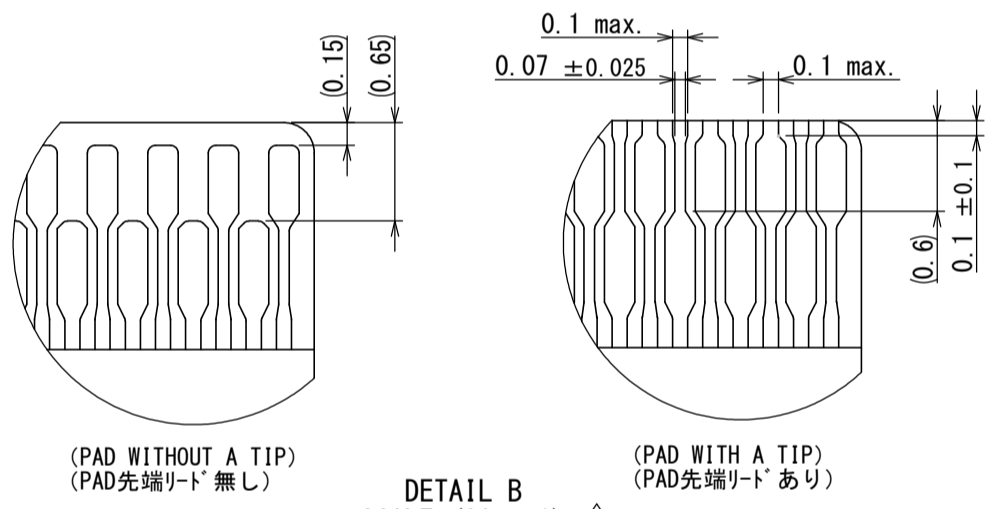
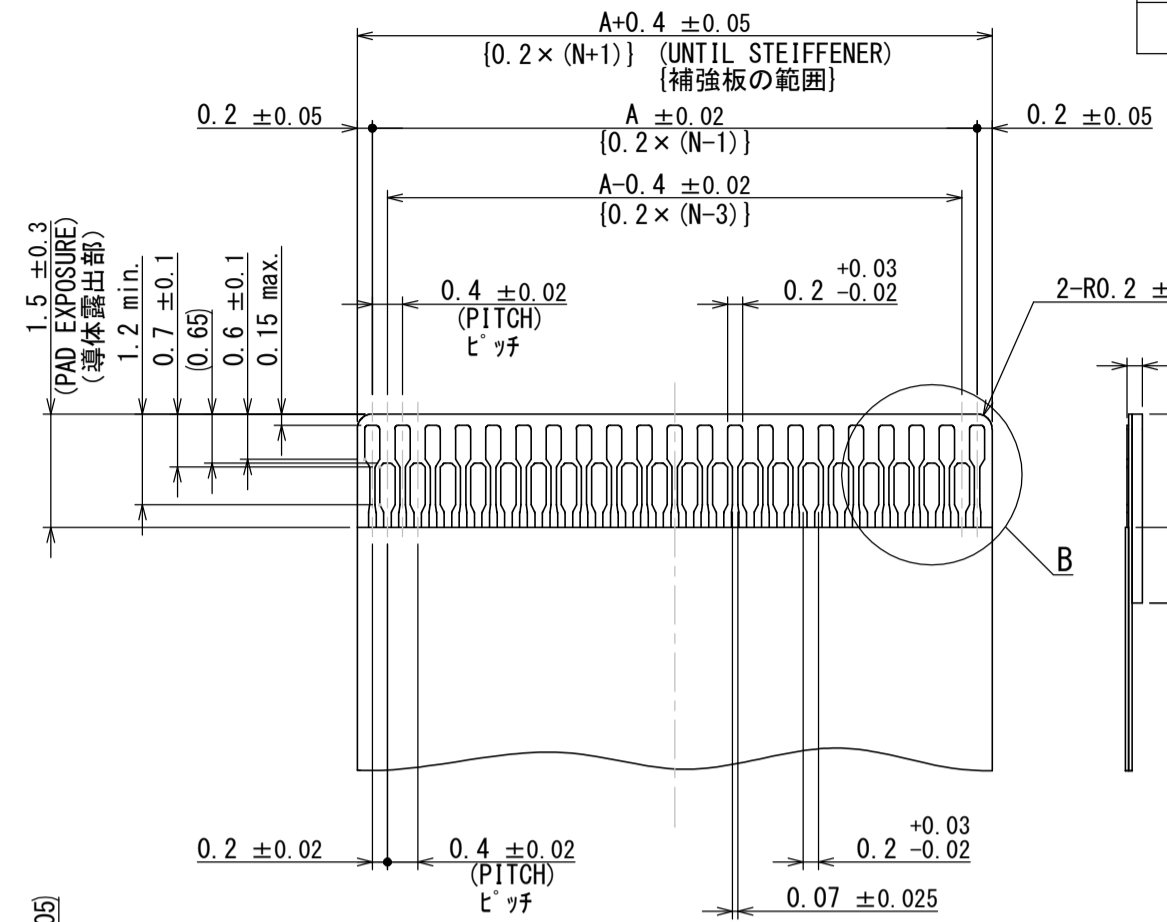


- NOTE
- REFER TO TABLE1 FOR RECOMMENDED FPC COMPOSITION.
  - A NICKEL BARRIER EXISTS BETWEEN CONTACT POINT AND TAIL.
  - THE DIMENSIONS OF VACCUING COVER AREA.
  - RECOMMENDED F.P.C. PUNCHER DIRECTION ARE FROM CONDUCTOR SIDE TO STIFFNER FILME SIDE.
  - IN THIS RANGE, WIRING OF A PATTERN IS FORBIDDEN EXCEPT FOR THE PATTERN ELECTRICALLY CONNECTED WITH PAD WHICH EACH RANGE TOUCHES.
  - LOT NUMBER IS MARKED ON THE TOP PORTION OF THE CONNECTOR.
  - THE FOLLOWING ITEMS ARE OPTIONAL: THE DIRECTION AND FORM OF THE COMPANY TRADE MARK, CONFIGURATION AND FORM OF TOOLING ID MARK, AND THE NUMBER AND CONFIGURATION OF SINK-PREVENTING HOLE.
  - THIS PRODUCT IS HALOGEN-FREE

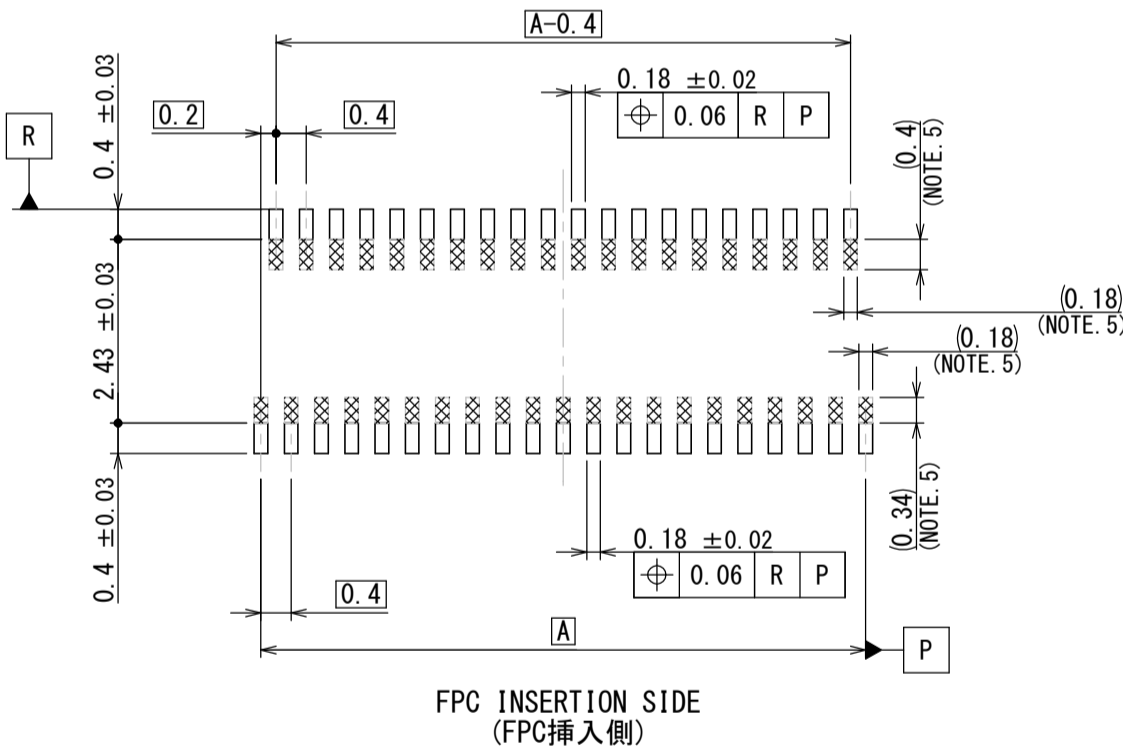
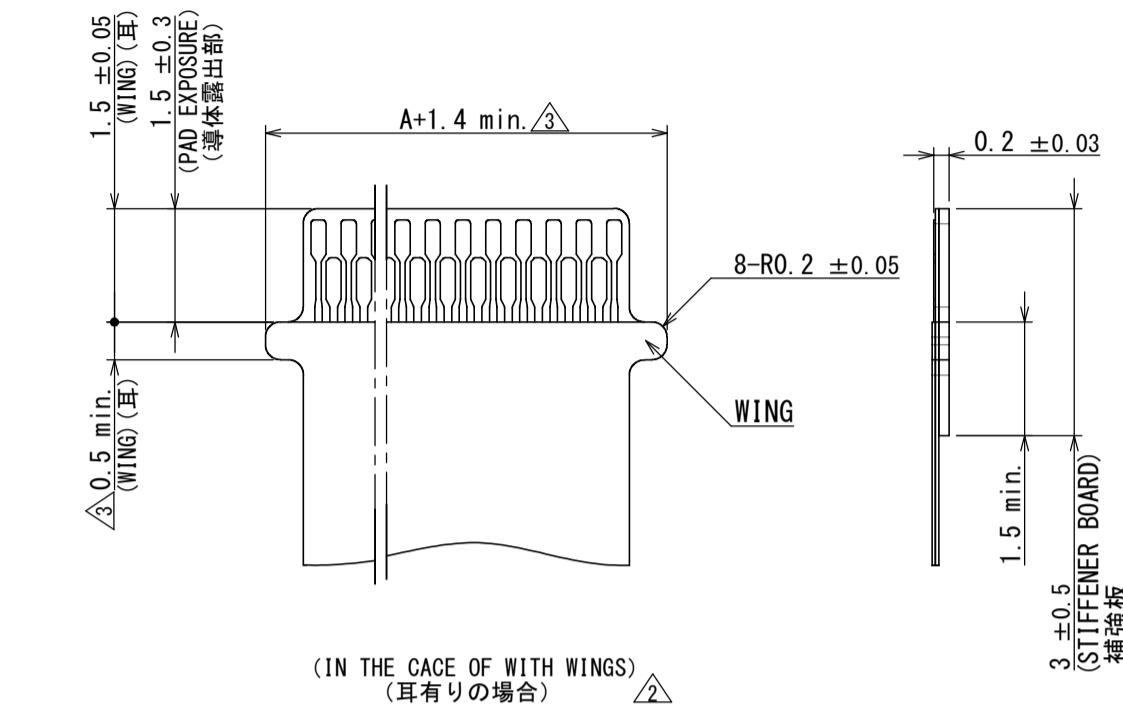
- 注記
- 推奨FPC構成はTABLE1参照のこと。
  - コンタクト接点とSMT部の間にはニッケルバリアがあります。
  - 吸着エリアを示す。
  - FPCの金型抜き方向は、導体側から補強板側を推奨します。
  - この範囲では、それぞれの範囲が接するパッドと電気的に接続されるパターンを除いて、パターンの配線は禁止となります。
  - ロット番号がコネクタ上面に表記されます。
  - 社標表示部の形状・社標の向き、金型マーク表示部の形状・配置、ひけ防止孔の形状・個数は任意である。
  - 本製品はハロゲンフリー品です。

TABLE 1. RECOMMENDED F.P.C. COMPOSITION

COMPOSITION 層名	ELECTROLYSIS PLATING 電解めっき	RECOMMENDED 推奨
GOLD PLATING 金めっき		0.1 μm MIN.
COPPER 銅箔	ROLLED MATERIAL 圧延銅	18 μm MAX.
ADHESIVE 接着剤	THERMOSETTING ADHESIVE 熱硬化性	—
BASE FILM ベースフィルム	POLYIMIDE ポリイミド	25 μm
ADHESIVE 接着剤	THERMOSETTING ADHESIVE 熱硬化性	30 μm MAX.
REINFORCE PLATE 補強板	POLYIMIDE ポリイミド	—



APPLICABLE F.P.C. DIMENSION (REF.)  
適合FPC寸法 (参考)



APPLICABLE P.C.B. DIMENSION (REF.)  
適合基板寸法 (参考)

符号 NO.	名称 DESCRIPTION	個数 QTY.	材料 MATERIAL	仕上 FINISH	図番 DNG NO.
4	CONTACT2 コンタクト2	(N+1) 2	PHOSPHER BRONZE リン青銅	PARTIAL GOLD OVER NICKEL (Au0.1 μm MIN.) ニッケル上部分金 (金0.1 μm 以上)	
3	CONTACT1 コンタクト1	(N-1) 2	PHOSPHER BRONZE リン青銅	PARTIAL GOLD OVER NICKEL (Au0.1 μm MIN.) ニッケル上部分金 (金0.1 μm 以上)	
2	ACTUATOR アクチュエータ	1	HEAT RESISTING PLASTICS 耐熱プラスチック		COLOR : NATURAL 色相 : 自然
1	BASE INSULATOR ベースインシュレータ	1	HEAT RESISTING PLASTICS 耐熱プラスチック		COLOR : BLACK 色相 : 黒

仕様書 (SPECIFICATION) JACS-10807-\* JAHL-10807

第1版 (ORIGINAL DATE) 09/MAY/2013

尺度 (SCALE) 10:1

シリーズ (SERIES) FR02

製図 DR. 担当 CHK. K. ASHIBU 査閲 APPD. H. YOKOO 承認 APPD. M. KIKUCHI

名称 (TITLE) FR02C0\*\*JA1 (\*\*: Pin count)

図面番号 (DRAWING NO.) SJ113749

版数 (VER.) 4