



Chipsmall Limited consists of a professional team with an average of over 10 year of expertise in the distribution of electronic components. Based in Hongkong, we have already established firm and mutual-benefit business relationships with customers from,Europe,America and south Asia,supplying obsolete and hard-to-find components to meet their specific needs.

With the principle of “Quality Parts,Customers Priority,Honest Operation,and Considerate Service”,our business mainly focus on the distribution of electronic components. Line cards we deal with include Microchip,ALPS,ROHM,Xilinx,Pulse,ON,Everlight and Freescale. Main products comprise IC,Modules,Potentiometer,IC Socket,Relay,Connector.Our parts cover such applications as commercial,industrial, and automotives areas.

We are looking forward to setting up business relationship with you and hope to provide you with the best service and solution. Let us make a better world for our industry!



Contact us

Tel: +86-755-8981 8866 Fax: +86-755-8427 6832

Email & Skype: info@chipsmall.com Web: www.chipsmall.com

Address: A1208, Overseas Decoration Building, #122 Zhenhua RD., Futian, Shenzhen, China

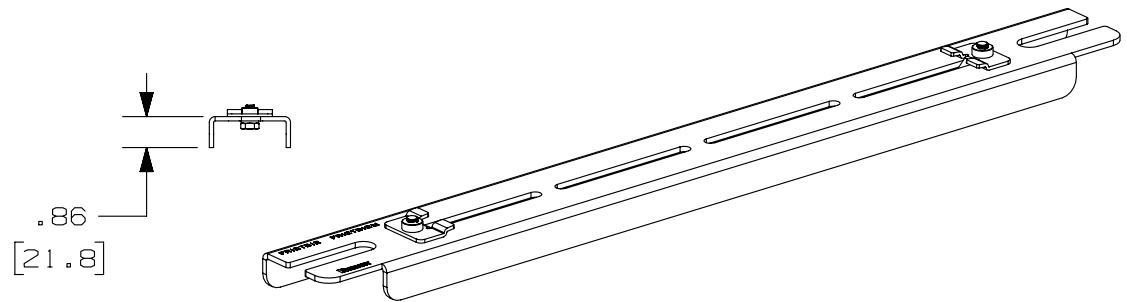
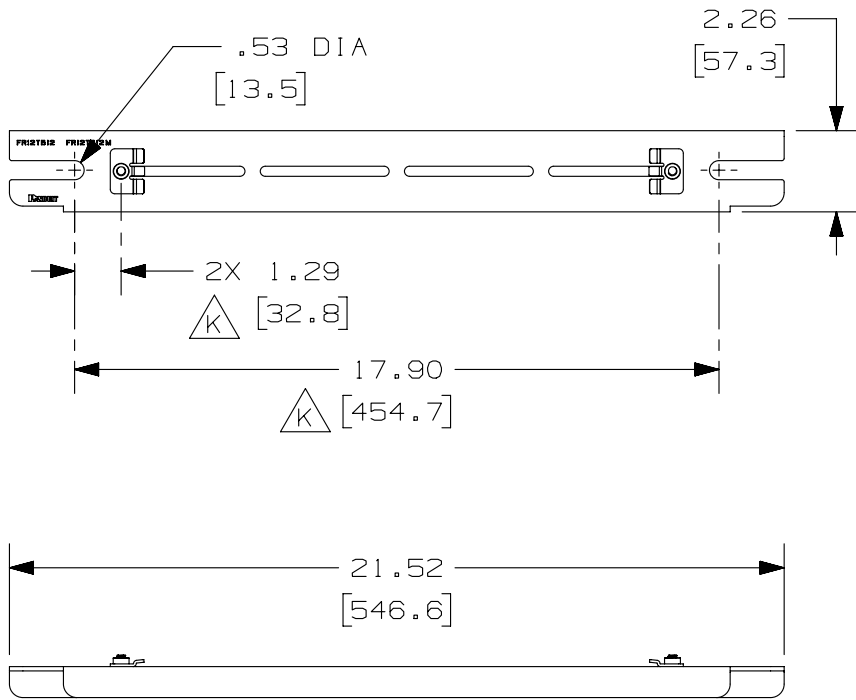


THIS COPY IS PROVIDED ON A RESTRICTED BASIS AND IS NOT TO BE USED IN ANY WAY DETRIMENTAL TO THE INTERESTS OF PANDUIT CORP.

PANDUIT PART NUMBER	WEIGHT
FR12TB12 FR12TB12M	2.71 LB/EACH (1230g/EACH)

NOTES:

1. SEE CURRENT CATALOG FOR ADDITIONAL PART SUFFIXES TO INDICATE PACKAGE QUANTITY.
2. THE FIBERRUNNER 12x4 QUIKLOCK TRAPEZE BRACKET IS USED TO SUPPORT THE FIBERRUNNER 12x4 CABLE ROUTING SYSTEM BETWEEN TWO (2) SECTIONS OF NEW 1/2" (M12) THREADED ROD THAT ARE 18" (457.2) - 20" (508) APART.
3. THE FIBERRUNNER 12x4 QUIKLOCK TRAPEZE BRACKET INCLUDES: ONE (1) BRACKET ASSEMBLY, FOUR (4) 1/2 HELICAL SPRING LOCKWASHERS, FOUR (4) 1/2-13 HEAVY HEX NUTS (FR12TB12 ONLY), FOUR (4) M12x1.75 HEX NUTS (FR12TB12M ONLY), ONE (1) 1/4-20 T-BOLT, ONE (1) 1/4-20 HEX KEPS NUT
4. FINISH COLOR: BLACK (EXCEPT FOR HARDWARE).
5. DIMENSIONS IN PARENTHESES ARE IN METRIC.



ENG. REF.: D38022C0_DC/03 FR12TB12



REV	DATE	BY	CHK	APR	DESCRIPTION	ECN
4	10-01-13	SSP	KMC	RN	M. REMOVED PRIOR NOTE(S) L. UPDATED TITLEBLOCK TO LATEST VERSION K. ADDED DIMENSION	38022-49

TITLE	
FIBERRUNNER 12x4 QUIKLOCK TRAPEZE BRACKET 1/2" (M12) THREADED ROD (FR12TB12, FR12TB12M)	
CUSTOMER DRAWING	
ITEM REVISION NAME	D38022C0/04
DATASET FILE NAME	D38022C0_DC/03 FR12TB12
UNLESS OTHERWISE SPECIFIED, DIMENSIONAL TOLERANCES ARE: IN [mm]	MATERIAL: STEEL
.X ± .XX ± .03 [.8]	.XXX ± ANGLES ±
THIRD ANGLE PROJECTION	DRAWING NUMBER: 38022 - 49
DRAWN BY JHNU	DATE 10-02-01
CHK RPA	SCALE NONE
SHT 1 OF 1	
SIZE A	

D101000DA/16