



Chipsmall Limited consists of a professional team with an average of over 10 year of expertise in the distribution of electronic components. Based in Hongkong, we have already established firm and mutual-benefit business relationships with customers from,Europe,America and south Asia,supplying obsolete and hard-to-find components to meet their specific needs.

With the principle of “Quality Parts,Customers Priority,Honest Operation,and Considerate Service”,our business mainly focus on the distribution of electronic components. Line cards we deal with include Microchip,ALPS,ROHM,Xilinx,Pulse,ON,Everlight and Freescale. Main products comprise IC,Modules,Potentiometer,IC Socket,Relay,Connector.Our parts cover such applications as commercial,industrial, and automotives areas.

We are looking forward to setting up business relationship with you and hope to provide you with the best service and solution. Let us make a better world for our industry!



Contact us

Tel: +86-755-8981 8866 Fax: +86-755-8427 6832

Email & Skype: info@chipsmall.com Web: www.chipsmall.com

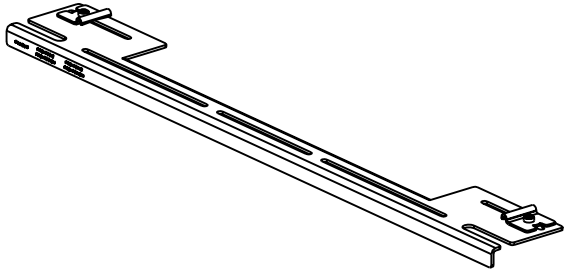
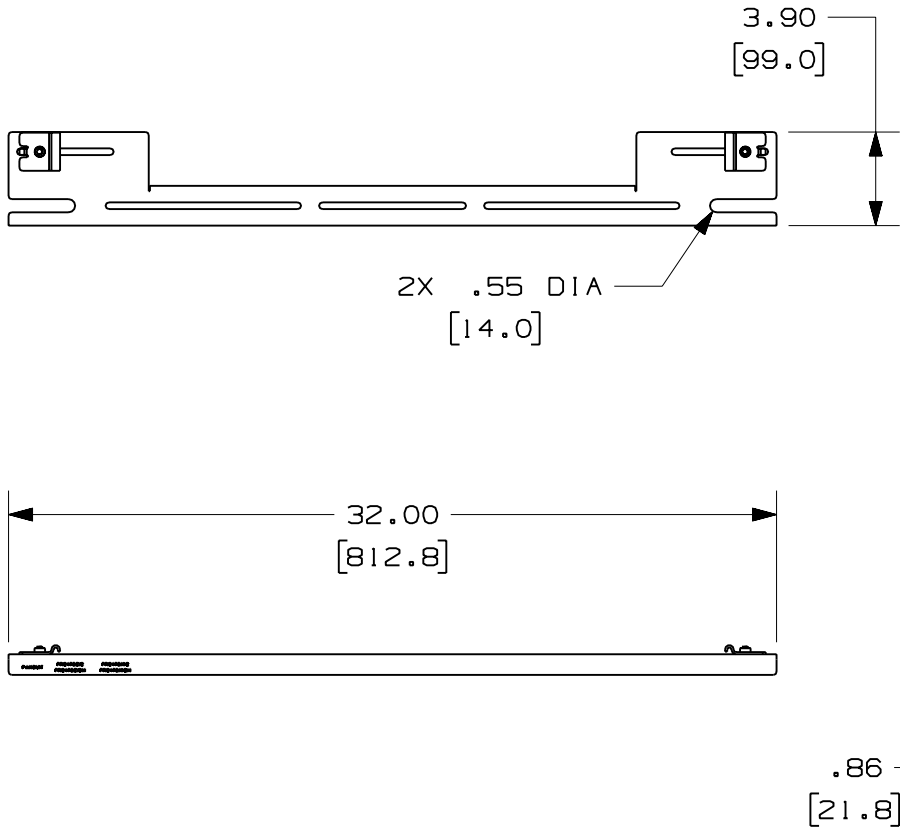
Address: A1208, Overseas Decoration Building, #122 Zhenhua RD., Futian, Shenzhen, China



PANDUIT PART NUMBER	WEIGHT
FR24TBN12 FR24TBN12M	4.02 LB/EACH (1823g/EACH)

NOTES:

1. SEE CURRENT CATALOG FOR ADDITIONAL PART SUFFIXES TO INDICATE PACKAGE QUANTITY.
2. THE FIBERRUNNER 24x4 QUIKLOCK TRAPEZE BRACKET IS USED TO SUPPORT THE FIBERRUNNER 24x4 CABLE ROUTING SYSTEM BETWEEN TWO (2) SECTIONS OF NEW 1/2" (M12) THREADED ROD THAT ARE 27" (685.8) - 31.5" (800.1) APART.
3. THE FIBERRUNNER 24x4 QUIKLOCK TRAPEZE BRACKET - NEW 1/2" (M12) THREADED ROD INCLUDES:
ONE (1) BRACKET ASSEMBLY,
FOUR (4) 1/2 HELICAL SPRING LOCKWASHERS,
FOUR (4) 1/2-13 HEAVY HEX NUTS (FR24TBN12 ONLY),
FOUR (4) M12x1.75 HEX NUTS (FR24TBN12M ONLY).
4. FINISH COLOR: BLACK (EXCEPT FOR HARDWARE)
5. DIMENSIONS IN PARENTHESES ARE IN METRIC.



ENG. REF.: D39701CQ_DC/00 FR24TBN12

CAD FILENAME/LAYERS		FR24TBN12.pdf	
<h1>PANDUIT</h1> CORP TINLEY PARK, ILLINOIS FIBERRUNNER 24x4 QUIKLOCK TRAPEZE BRACKET - NEW 1/2" (M12) THREADED ROD (FR24TBN12, FR24TBN12M) CUSTOMER DRAWING			
UNLESS OTHERWISE SPECIFIED, DIMENSIONAL TOLERANCES ARE: (.X) ± (.XXX) ± (.XX) ± .03 (.8) ANGLES ±		UNLESS OTHERWISE SPECIFIED, ALL DIMENSIONS ARE GIVEN IN INCHES, THIRD ANGLE PROJECTION.	
DRAWN BY	MAT'L:	SCALE	NONE
MSO	STEEL	DRAWING NO.	39701-46
DATE		DWG	A
10-21-08		SIZE	
CHK'D			
SL			

REV	DATE	BY	CHK	DESCRIPTION	ECN	R	CUST	SUP	GMBH
R	10-21-08	MSO	SL	RELEASED TO PRODUCTION	39701-46	RN	RN		