



Chipsmall Limited consists of a professional team with an average of over 10 year of expertise in the distribution of electronic components. Based in Hongkong, we have already established firm and mutual-benefit business relationships with customers from,Europe,America and south Asia,supplying obsolete and hard-to-find components to meet their specific needs.

With the principle of "Quality Parts,Customers Priority,Honest Operation,and Considerate Service",our business mainly focus on the distribution of electronic components. Line cards we deal with include Microchip,ALPS,ROHM,Xilinx,Pulse,ON,Everlight and Freescale. Main products comprise IC,Modules,Potentiometer,IC Socket,Relay,Connector.Our parts cover such applications as commercial,industrial, and automotives areas.

We are looking forward to setting up business relationship with you and hope to provide you with the best service and solution. Let us make a better world for our industry!



Contact us

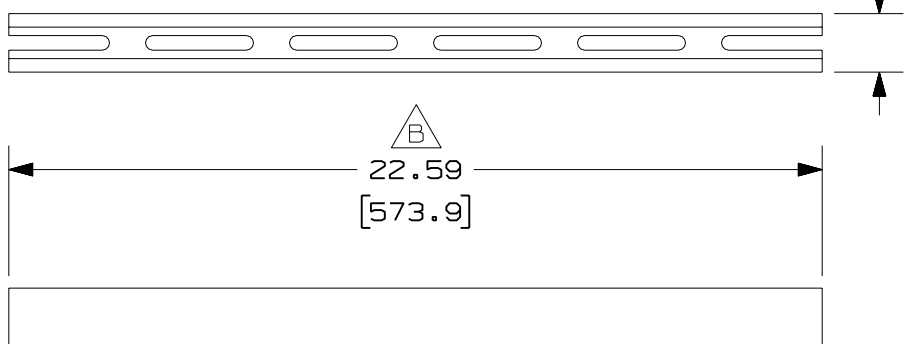
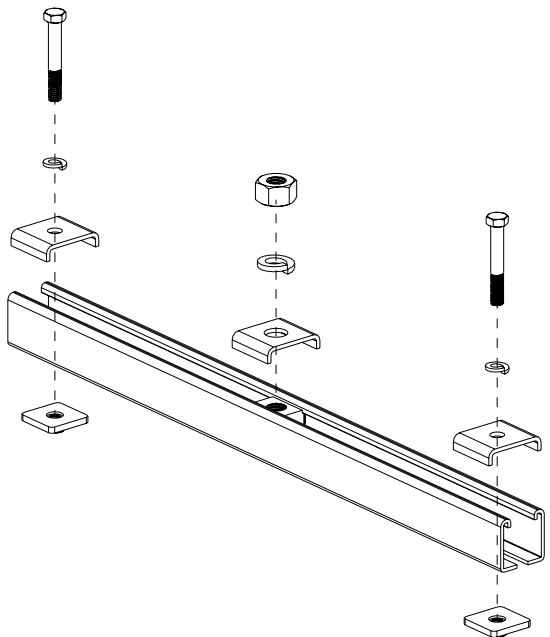
Tel: +86-755-8981 8866 Fax: +86-755-8427 6832

Email & Skype: info@chipsmall.com Web: www.chipsmall.com

Address: A1208, Overseas Decoration Building, #122 Zhenhua RD., Futian, Shenzhen, China



THIS COPY IS PROVIDED ON A RESTRICTED BASIS AND IS NOT TO BE USED IN ANY WAY DETRIMENTAL TO THE INTERESTS OF PANDUIT CORP.



PANDUIT P/N	WEIGHT
FR4PRB58	4.39 LB/EACH 1990g/EACH



NOTES:

1. SEE CURRENT CATALOG FOR ADDITIONAL PART SUFFIXES TO INDICATE PACKAGE QUANTITY.
2. THE FIBER ROUTING 4-POST RACK BRACKET ALLOWS FOR 5/8" THREADED ROD (NOT INCLUDED) TO BE MOUNTED TO THE TOP OF A PANDUIT 4-POST RACK (CMR4P84).
3. THE FIBER ROUTING 4-POST RACK BRACKET KIT INCLUDES:
 ONE (1) STRUT METAL FRAMING CHANNEL,
 TWO (2) SQUARE NUT PEM SELF-CLINCHING ASSEMBLIES,
 TWO (2) STRUT METAL FRAMING CHANNEL U-WASHERS
 - 7/16" HOLE,
 TWO (2) 3/8" HELICAL SPRING LOCKWASHERS,
 TWO (2) 3/8-16x2 1/2" HEX HEAD CAP SCREWS,
 ONE (1) STRUT METAL FRAMING CHANNEL U-WASHER
 - 11/16" HOLE,
 ONE (1) 5/8" HELICAL SPRING LOCKWASHER,
 ONE (1) 5/8-11 HEAVY HEX NUT,
 ONE (1) 5/8-11 CHANNEL NUT WITHOUT SPRING
4. FINISH COLOR: BLACK (EXCEPT FOR HARDWARE).
5. DIMENSIONS IN PARENTHESES ARE IN METRIC.

ENG. REF.: D38780BN_DC_FR4PRB58_01.prt

CAD FILENAME/LAYERS: FR4PRB58.pdf

REV	DATE	BY	CHK	DESCRIPTION	ECN	R	CUST	SUP	GMBH
-	-----	---	--	C. REVISED PART WEIGHT.	-----	--	--		
1	7-10-07	MSO	RN	B. REVISED PART GEOMETRY. A. REVISED DRAWING TITLE.	38780-10	RN	RN		
R	5-18-04	MSO	RPA	RELEASED TO PRODUCTION	38780-10	RN	RN		

TINLEY PARK, ILLINOIS		FIBER ROUTING 4-POST RACK BRACKET - 5/8" THREADED ROD (FR4PRB58) CUSTOMER DRAWING	
		UNLESS OTHERWISE SPECIFIED, DIMENSIONAL TOLERANCES ARE: (.X) ± (.XXX) ± (.XX) ± .03 (.8) ANGLES ±	
DRAWN BY: MSO DATE: 5-18-04 CHK'D: RPA	MAT'L: STEEL	UNLESS OTHERWISE SPECIFIED, ALL DIMENSIONS ARE GIVEN IN INCHES, THIRD ANGLE PROJECTION.	SCALE: NONE DRAWING NO.: 38780-10 DWG SIZE: A