



Chipsmall Limited consists of a professional team with an average of over 10 year of expertise in the distribution of electronic components. Based in Hongkong, we have already established firm and mutual-benefit business relationships with customers from,Europe,America and south Asia,supplying obsolete and hard-to-find components to meet their specific needs.

With the principle of “Quality Parts,Customers Priority,Honest Operation,and Considerate Service”,our business mainly focus on the distribution of electronic components. Line cards we deal with include Microchip,ALPS,ROHM,Xilinx,Pulse,ON,Everlight and Freescale. Main products comprise IC,Modules,Potentiometer,IC Socket,Relay,Connector.Our parts cover such applications as commercial,industrial, and automotives areas.

We are looking forward to setting up business relationship with you and hope to provide you with the best service and solution. Let us make a better world for our industry!



## Contact us

Tel: +86-755-8981 8866 Fax: +86-755-8427 6832

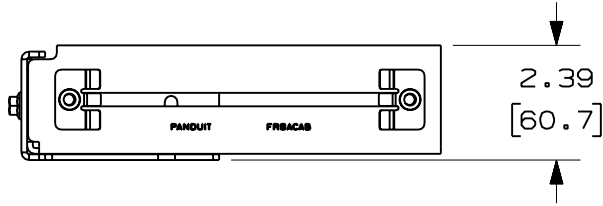
Email & Skype: info@chipsmall.com Web: www.chipsmall.com

Address: A1208, Overseas Decoration Building, #122 Zhenhua RD., Futian, Shenzhen, China



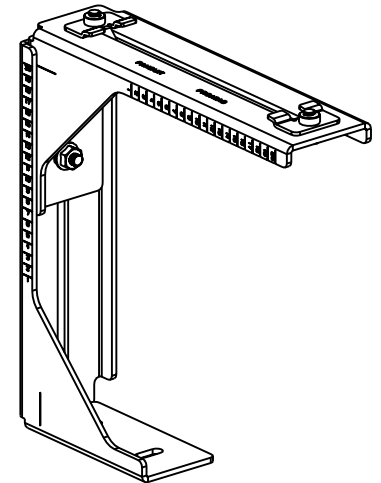
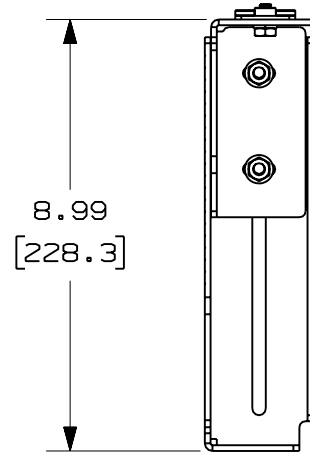
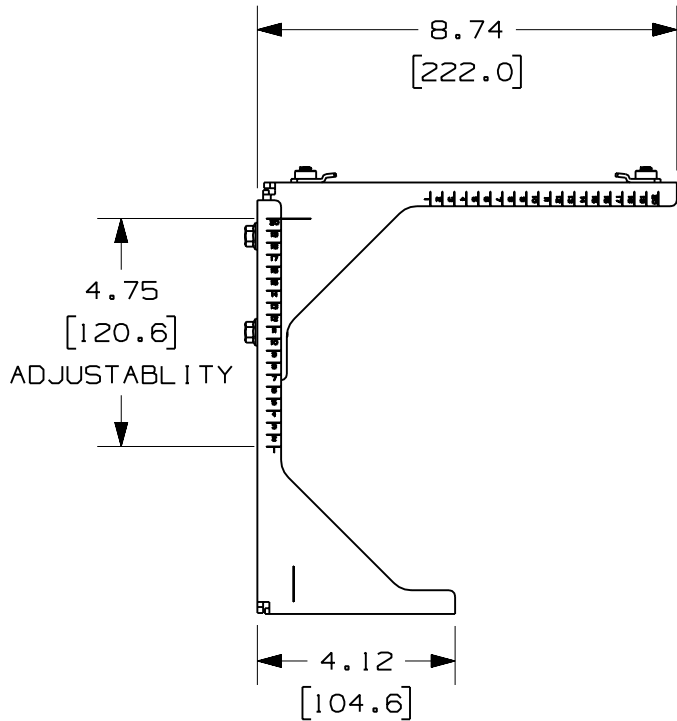


PANDUIT PART NUMBER	WEIGHT
FR6ACAB	2.35 LB/EACH (1067g/EACH)



NOTES:

1. SEE CURRENT CATALOG FOR ADDITIONAL PART SUFFIXES TO INDICATE PACKAGE QUANTITY.
2. THE FIBERRUNNER 4x4 AND 6x4 QUIKLOCK ADJUSTABLE CABINET BRACKET IS USED TO SUPPORT THE FIBERRUNNER 4x4 AND 6x4 CABLE ROUTING SYSTEMS DIRECTLY ALONG THE TOP OF TELECOMMUNICATION CABINETS WITHOUT THE USE OF THREADED ROD.
3. FINISH COLOR: BLACK (EXCEPT HARDWARE)
4. DIMENSIONS IN PARENTHESES ARE IN METRIC.



ENG. REF.: D38238BI\_DC\_FR6ACAB\_01.prt

CAD FILENAME/LAYERS



FR6ACAB.pdf

**PANDUIT** CORP TINLEY PARK, ILLINOIS  
 FIBERRUNNER 4x4 AND 6x4 QUIKLOCK  
 ADJUSTABLE CABINET BRACKET (FR6ACAB)  
 CUSTOMER DRAWING

UNLESS OTHERWISE SPECIFIED,  
 DIMENSIONAL TOLERANCES ARE:

(.X) ± (.XXX) ±  
 (.XX) ± .03 (.8) ANGLES ±

UNLESS OTHERWISE SPECIFIED,  
 ALL DIMENSIONS ARE GIVEN IN  
 INCHES, THIRD ANGLE PROJECTION.

DRAWN BY JHNU

MAT'L:

DATE 4-25-02

STEEL

SCALE

NONE

DRAWING NO.

38238-08

DWG

A

SIZE

REV	DATE	BY	CHK	DESCRIPTION	ECN	R	CUST	SUP	GMBH
-	-----	---	--	E. REVISED PART WEIGHT.	-----	--	--		
-	-----	---	--	D. REVISED GENERAL NOTES. C. REVISED CAD FILENAME.	-----	--	--		
1	12-29-06	MSO	RN	B. REVISED DRAWING TITLE. A. REVISED AND REDRAWN.	38238-08	RN	RN		

CHK'D HIW