



Chipsmall Limited consists of a professional team with an average of over 10 year of expertise in the distribution of electronic components. Based in Hongkong, we have already established firm and mutual-benefit business relationships with customers from,Europe,America and south Asia,supplying obsolete and hard-to-find components to meet their specific needs.

With the principle of "Quality Parts,Customers Priority,Honest Operation,and Considerate Service",our business mainly focus on the distribution of electronic components. Line cards we deal with include Microchip,ALPS,ROHM,Xilinx,Pulse,ON,Everlight and Freescale. Main products comprise IC,Modules,Potentiometer,IC Socket,Relay,Connector.Our parts cover such applications as commercial,industrial, and automotives areas.

We are looking forward to setting up business relationship with you and hope to provide you with the best service and solution. Let us make a better world for our industry!



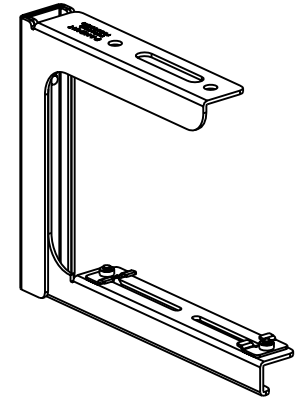
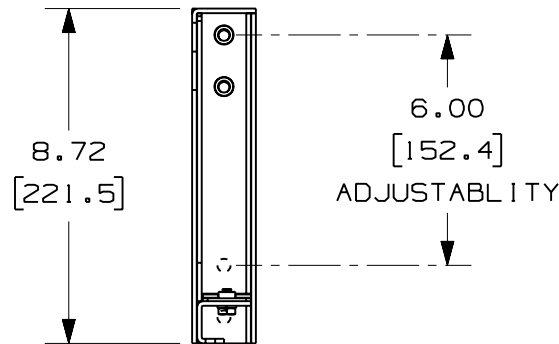
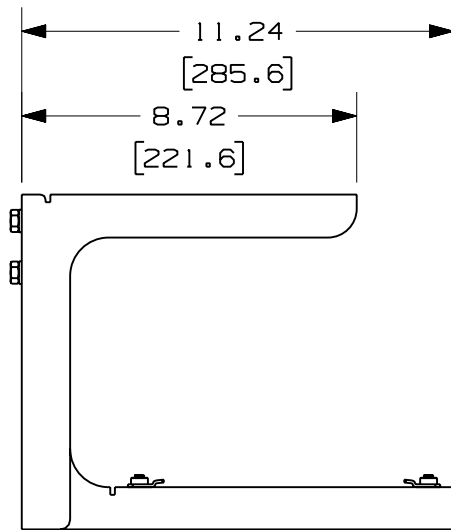
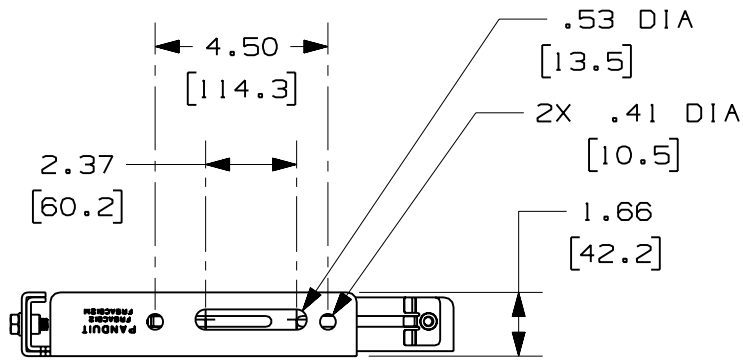
Contact us

Tel: +86-755-8981 8866 Fax: +86-755-8427 6832

Email & Skype: info@chipsmall.com Web: www.chipsmall.com

Address: A1208, Overseas Decoration Building, #122 Zhenhua RD., Futian, Shenzhen, China





PANDUIT PART NUMBER	WEIGHT
FR6ACB12 FR6ACB12M	3.38 LB/EACH (1531g/EACH)



NOTES:

1. SEE CURRENT CATALOG FOR ADDITIONAL PART SUFFIXES TO INDICATE PACKAGE QUANTITY.
2. THE FIBERRUNNER 4x4 AND 6x4 QUIKLOCK ADJUSTABLE "C" BRACKET IS USED TO SUPPORT THE FIBERRUNNER 4x4 AND 6x4 CABLE ROUTING SYSTEMS FROM A SECTION OF NEW 1/2" (M12) THREADED ROD (NOT INCLUDED) OR CAN BE DIRECTLY MOUNTED TO THE CEILING.
3. THE FIBERRUNNER 4x4 AND 6x4 QUIKLOCK ADJUSTABLE "C" BRACKET INCLUDES:
ONE (1) BRACKET ASSEMBLY,
TWO (2) 1/2-13 HEAVY HEX NUTS (FR6ACB12 ONLY),
TWO (2) M12x1.75 HEX NUTS (FR6ACB12M ONLY),
TWO (2) 1/2 HELICAL SPRING LOCKWASHERS
4. FINISH COLOR: BLACK (EXCEPT HARDWARE)
5. DIMENSIONS IN PARENTHESES ARE IN METRIC.

ENG. REF.: D38022BX_DC_FR6ACB12_01.prt

CAD FILENAME/LAYERS: **B** FR6ACB12.pdf

PANDUIT CORP TINLEY PARK, ILLINOIS
 FIBERRUNNER 4x4 AND 6x4 QUIKLOCK
 ADJUSTABLE "C" BRACKET - 1/2" (M12)
C THREADED ROD (FR6ACB12, FR6ACB12M)
 CUSTOMER DRAWING

UNLESS OTHERWISE SPECIFIED,
 DIMENSIONAL TOLERANCES ARE:
 (.X) ± (.XXX) ±
 (.XX) ± .03 (.8) ANGLES ±

UNLESS OTHERWISE SPECIFIED,
 ALL DIMENSIONS ARE GIVEN IN
 INCHES, THIRD ANGLE PROJECTION.

DRAWN BY: JHNU
 DATE: 5-24-01
 CHK'D: HIW

MAT'L: STEEL

SCALE: NONE
 DRAWING NO.: 38022-29
 DWG SIZE: A

REV	DATE	BY	CHK	DESCRIPTION	ECN	R	CUST	SUP	GMBH
-	-----	---	--	E. REVISED GENERAL NOTES.	-----	--	--		
-	-----	---	--	D. REVISED PART WEIGHT. C. REVISED DRAWING TITLE.	-----	--	--		
1	1-3-07	MSO	RN	B. REVISED CAD FILENAME. A. REVISED AND REDRAWN.	38022-29	RN	RN		