



Chipsmall Limited consists of a professional team with an average of over 10 year of expertise in the distribution of electronic components. Based in Hongkong, we have already established firm and mutual-benefit business relationships with customers from,Europe,America and south Asia,supplying obsolete and hard-to-find components to meet their specific needs.

With the principle of “Quality Parts,Customers Priority,Honest Operation,and Considerate Service”,our business mainly focus on the distribution of electronic components. Line cards we deal with include Microchip,ALPS,ROHM,Xilinx,Pulse,ON,Everlight and Freescale. Main products comprise IC,Modules,Potentiometer,IC Socket,Relay,Connector.Our parts cover such applications as commercial,industrial, and automotives areas.

We are looking forward to setting up business relationship with you and hope to provide you with the best service and solution. Let us make a better world for our industry!



Contact us

Tel: +86-755-8981 8866 Fax: +86-755-8427 6832

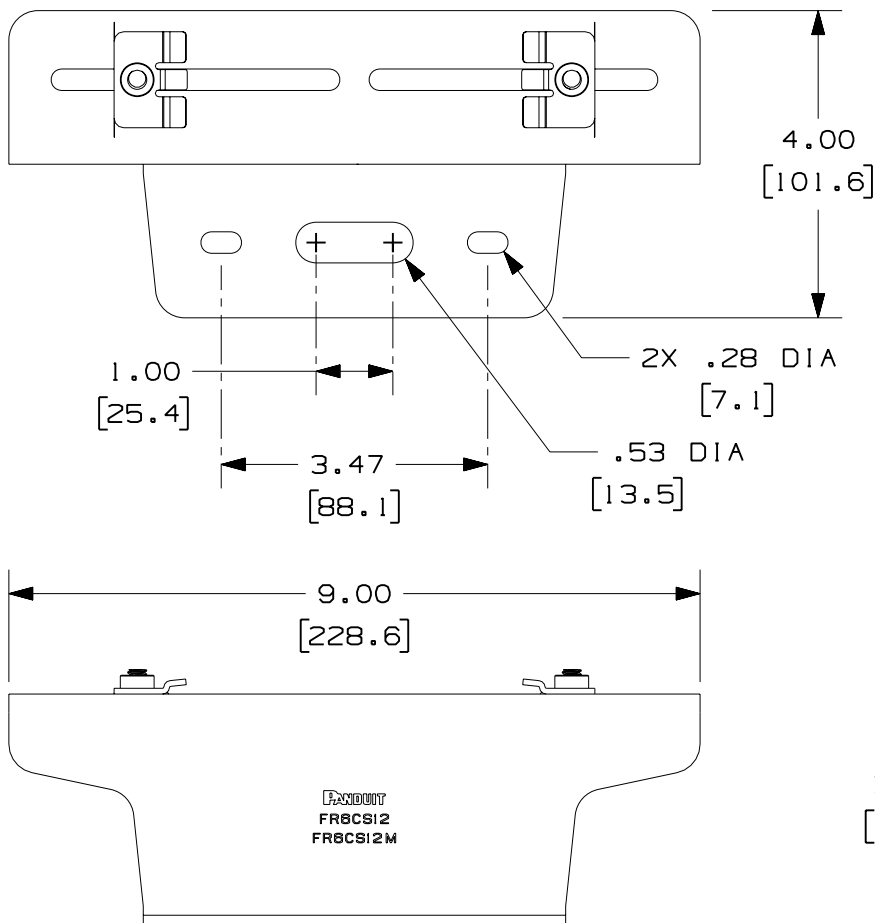
Email & Skype: info@chipsmall.com Web: www.chipsmall.com

Address: A1208, Overseas Decoration Building, #122 Zhenhua RD., Futian, Shenzhen, China



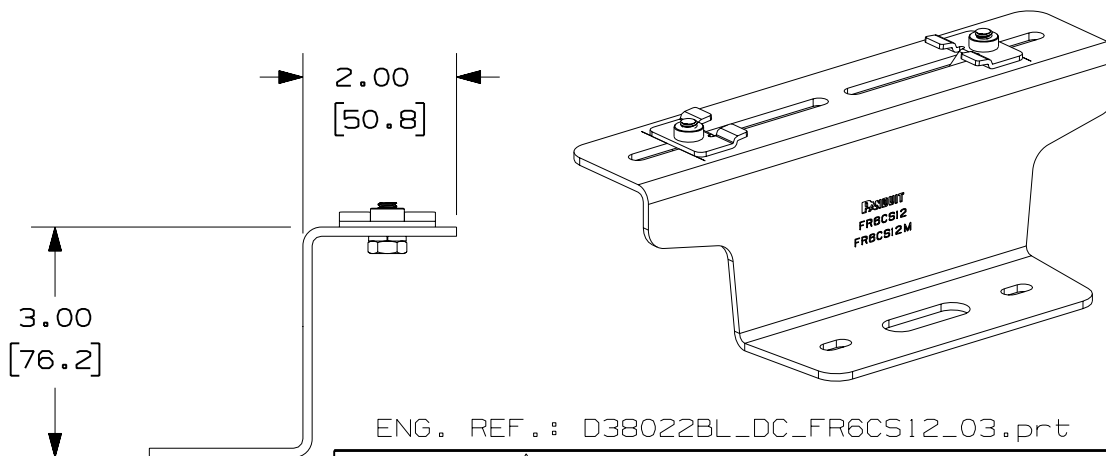


PANDUIT P/N	WEIGHT
FR6CS12 FR6CS12M	1.80 LB/EACH (816g/EACH)



NOTES:

- SEE CURRENT CATALOG FOR ADDITIONAL PART SUFFIXES TO INDICATE PACKAGE QUANTITY.
- THE FIBERRUNNER 4x4 AND 6x4 QUIKLOCK CENTER SUPPORT BRACKET IS USED TO SUPPORT THE FIBERRUNNER 4x4 AND/OR 6x4 CABLE ROUTING SYSTEMS FROM NEW 1/2" (M12) THREADED ROD (NOT INCLUDED).
- THE FIBERRUNNER 4x4 AND 6x4 QUIKLOCK CENTER SUPPORT BRACKET INCLUDES:
ONE (1) BRACKET ASSEMBLY,
TWO (2) 1/2 HELICAL SPRING LOCKWASHERS,
TWO (2) 1/2-13 HEAVY HEX NUTS (FR6CS12 ONLY),
TWO (2) M12x1.75 HEX NUTS (FR6CS12M ONLY).
- FINISH COLOR: BLACK (EXCEPT FOR HARDWARE).
- DIMENSIONS IN PARENTHESES ARE IN METRIC.



ENG. REF.: D38022BL_DC_FR6CS12_03.prt

CAD FILENAME/LAYERS	FR6CS12.pdf
---------------------	-------------

PANDUIT CORP TINLEY PARK, ILLINOIS
 FIBERRUNNER 4x4 AND 6x4 QUIKLOCK CENTER SUPPORT BRACKET - 1/2" (M12) THREADED ROD (FR6CS12, FR6CS12M)
 CUSTOMER DRAWING

UNLESS OTHERWISE SPECIFIED, DIMENSIONAL TOLERANCES ARE: (.X) ± (.XXX) ± (.XX) ± .03 (.8) ANGLES ±		UNLESS OTHERWISE SPECIFIED, ALL DIMENSIONS ARE GIVEN IN INCHES, THIRD ANGLE PROJECTION.	
DRAWN BY MSO	MAT'L: STEEL	SCALE NONE	
DATE 4-19-01	CFG	DRAWING NO. 38022-27	DWG A
CHK'D		SIZE	

REV	DATE	BY	CHK	DESCRIPTION	ECN	R	CUST	SUP	GMBH
-	-----	---	--	F. REVISED PART WEIGHT.	-----	--	--		
-	-----	---	--	E. REVISED GENERAL NOTES. D. REVISED DRAWING TITLE.	-----	--	--		
2	8-2-06	MSO	RN	C. REVISED CAD FILENAME. B. REVISED AND REDRAWN.	38022-27	RN	RN		