



Chipsmall Limited consists of a professional team with an average of over 10 year of expertise in the distribution of electronic components. Based in Hongkong, we have already established firm and mutual-benefit business relationships with customers from,Europe,America and south Asia,supplying obsolete and hard-to-find components to meet their specific needs.

With the principle of “Quality Parts,Customers Priority,Honest Operation,and Considerate Service”,our business mainly focus on the distribution of electronic components. Line cards we deal with include Microchip,ALPS,ROHM,Xilinx,Pulse,ON,Everlight and Freescale. Main products comprise IC,Modules,Potentiometer,IC Socket,Relay,Connector.Our parts cover such applications as commercial,industrial, and automotives areas.

We are looking forward to setting up business relationship with you and hope to provide you with the best service and solution. Let us make a better world for our industry!



## Contact us

Tel: +86-755-8981 8866 Fax: +86-755-8427 6832

Email & Skype: info@chipsmall.com Web: www.chipsmall.com

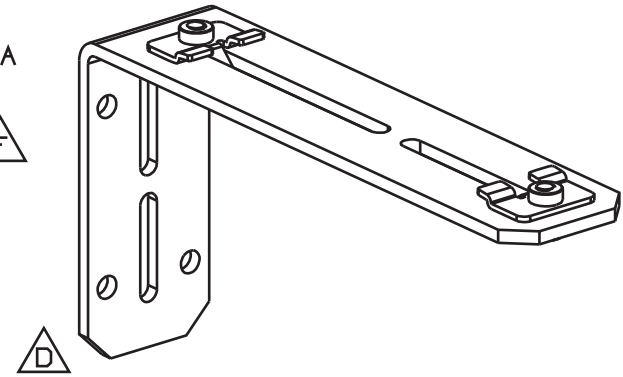
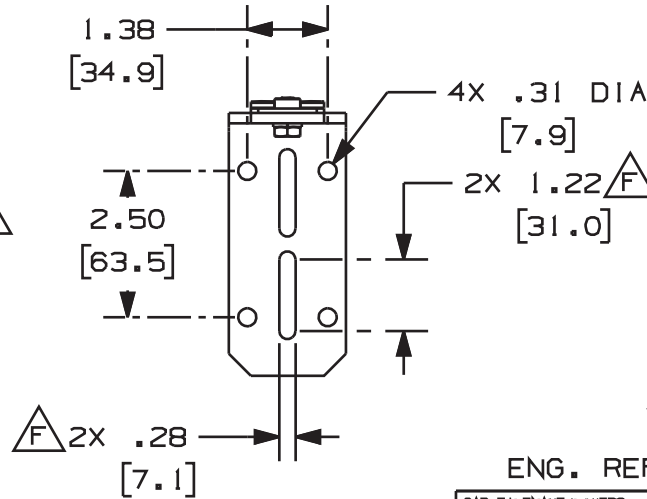
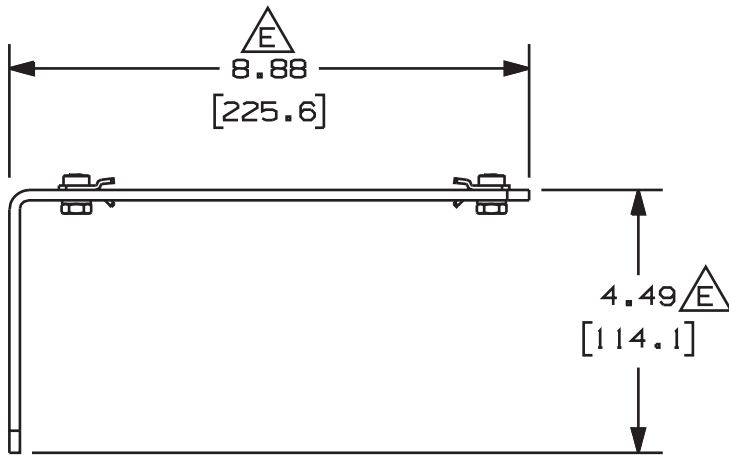
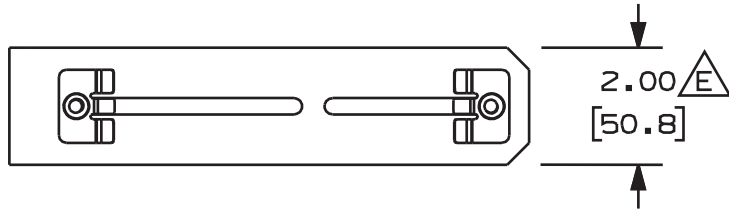
Address: A1208, Overseas Decoration Building, #122 Zhenhua RD., Futian, Shenzhen, China



PANDUIT PART NUMBER	WEIGHT
FR6LB	1.37 LB/EACH (62lg/EACH)

**△ NOTES:**

1. SEE CURRENT CATALOG FOR ADDITIONAL PART SUFFIXES TO INDICATE PACKAGE QUANTITY.
2. THE FIBERRUNNER 6x4 QUIKLOCK WALL MOUNT "L" BRACKET IS USED TO SUPPORT THE FIBERRUNNER 4x4 AND/OR 6x4 CABLE ROUTING SYSTEMS FROM ANY FLAT SURFACE SUITABLE TO CARRY THE WEIGHT OF THE PATHWAY. NOTE THAT THE MOUNTING IS NOT INCLUDED AND WILL NEED TO BE SUPPLIED BY THE INSTALLER/END USER.
3. THE FIBERRUNNER 6x4 QUIKLOCK WALL MOUNT "L" BRACKET INCLUDES:  
ONE (1) BRACKET ASSEMBLY
4. FINISH COLOR: BLACK
5. DIMENSIONS IN PARENTHESIS ARE IN METRIC.



ENG. REF.: D37585BE\_DC\_FR6LB\_01A.prt

CAD FILENAME/LAYERS: **△ A** FR6LB.pdf

**PANDUIT** CORP TINLEY PARK, ILLINOIS  
**FIBERRUNNER 6x4 QUIKLOCK WALL MOUNT "L" BRACKET (FR6LB)**  
**△ B** CUSTOMER DRAWING

REV	DATE	BY	CHK	DESCRIPTION	ECN	R	CUST	SUP	GMBH
-	-----	---	---	F. REVISED DIMENSION. E. REV'D DIMENSION LOCATION.	-----	--	--		
-	-----	---	---	D. REVISED PART GEOMETRY. C. REVISED GENERAL NOTES.	-----	--	--		
1	3-23-05	MSO	RPA	B. REVISED DRAWING TITLE. A. REVISED CAD FILENAME.	37585-22	RN	RN		
R	5-11-00	MSO	CVV	RELEASED TO PRODUCTION	37585-22	HIW	HIW		

UNLESS OTHERWISE SPECIFIED, DIMENSIONAL TOLERANCES ARE: (.X) ± .03 (.8)      (.XXX) ± .03 (1.8)      ANGLES ± .03 (1.8)		UNLESS OTHERWISE SPECIFIED, ALL DIMENSIONS ARE GIVEN IN INCHES, THIRD ANGLE PROJECTION.	
DRAWN BY MSO	MAT'L STEEL	SCALE NONE	
DATE 5-11-00		DRAWING NO. 37585-22	DWG A
CHK'D CVV			SIZE