



Chipsmall Limited consists of a professional team with an average of over 10 year of expertise in the distribution of electronic components. Based in Hongkong, we have already established firm and mutual-benefit business relationships with customers from,Europe,America and south Asia,supplying obsolete and hard-to-find components to meet their specific needs.

With the principle of “Quality Parts,Customers Priority,Honest Operation,and Considerate Service”,our business mainly focus on the distribution of electronic components. Line cards we deal with include Microchip,ALPS,ROHM,Xilinx,Pulse,ON,Everlight and Freescale. Main products comprise IC,Modules,Potentiometer,IC Socket,Relay,Connector.Our parts cover such applications as commercial,industrial, and automotives areas.

We are looking forward to setting up business relationship with you and hope to provide you with the best service and solution. Let us make a better world for our industry!



Contact us

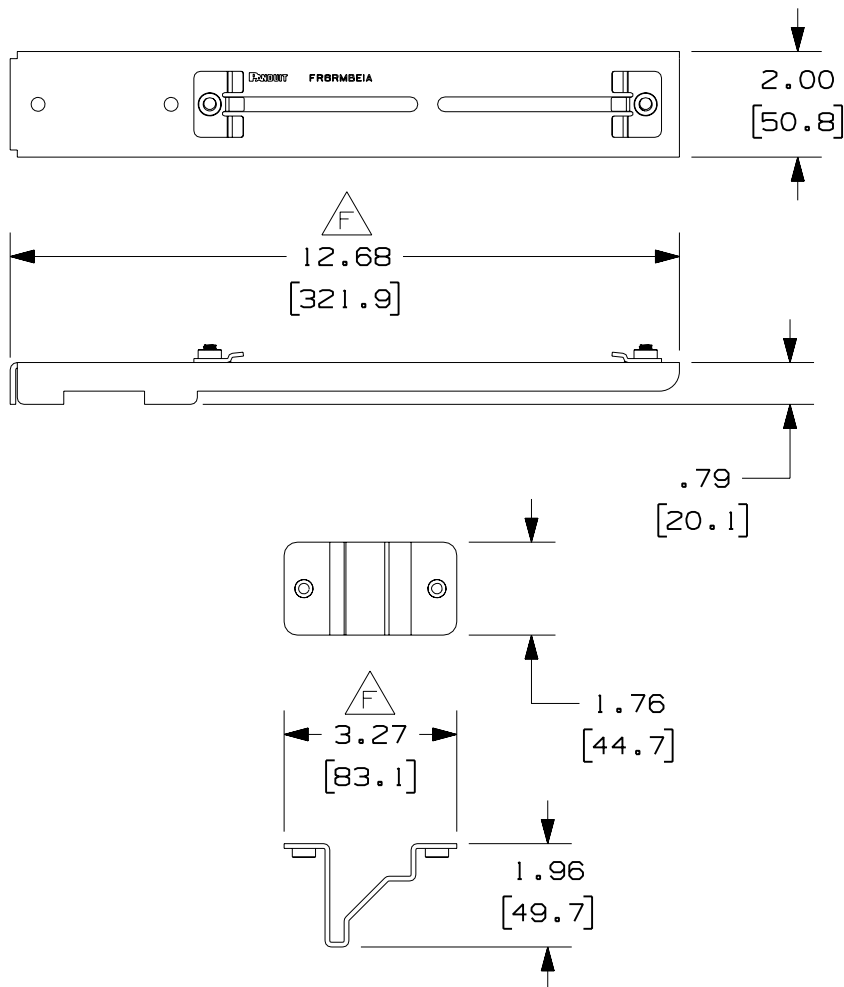
Tel: +86-755-8981 8866 Fax: +86-755-8427 6832

Email & Skype: info@chipsmall.com Web: www.chipsmall.com

Address: A1208, Overseas Decoration Building, #122 Zhenhua RD., Futian, Shenzhen, China

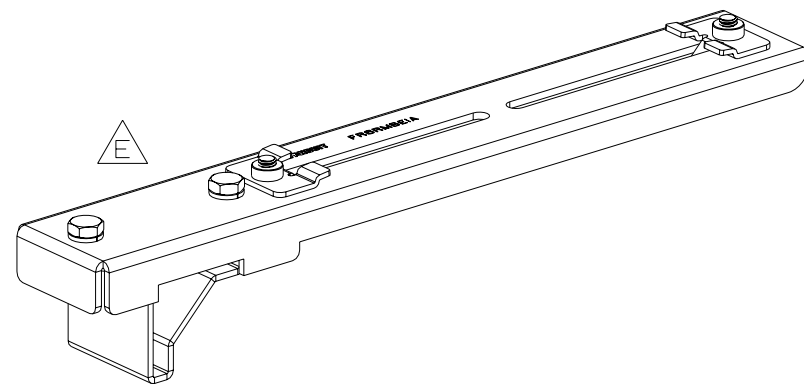


PANDUIT PART NUMBER	WEIGHT
FR6RMBE1A	1.38 LB/EACH (626g/EACH)



NOTES:

- SEE CURRENT CATALOG FOR ADDITIONAL PART SUFFIXES TO INDICATE PACKAGE QUANTITY.
- THE FIBERRUNNER 4x4 AND 6x4 QUIKLOCK EIA/TIA RACK MOUNT BRACKET IS USED TO SUPPORT THE FIBERRUNNER 4x4 AND/OR 6x4 CABLE ROUTING SYSTEMS FROM THE FRONT OR REAR TOP RAIL OF THE EIA/TIA RACK WITHOUT THE NEED FOR THREADED ROD.
- THE FIBERRUNNER 4x4 AND 6x4 QUIKLOCK EIA/TIA RACK MOUNT BRACKET INCLUDES:
ONE (1) BRACKET ASSEMBLY,
ONE (1) RETAINER BRACKET ASSEMBLY,
TWO (2) 1/4-20x1/2 HEX HEAD CAP SCREWS,
TWO (2) 1/4 HELICAL SPRING LOCKWASHERS.
- FINISH COLOR: BLACK (EXCEPT FOR HARDWARE)
- DIMENSIONS IN PARENTHESES ARE IN METRIC.



ENG. REF.: D38022CK_DC_FR6RMBE1A_02.prt

CAD FILENAME/LAYERS: FR6RMBE1A.pdf

REV	DATE	BY	CHK	DESCRIPTION	ECN	R	CUST	SUP	GMBH
-	-----	---	---	I. REVISED GENERAL NOTES.	-----	--	--		
3	7-31-06	DTP	RN	H. REVISED PART WEIGHT. G. REVISED DRAWING TITLE.	38022-45	RN	RN		
-	-----	---	---	F. RELOCATED DIMENSION.	-----	--	--		
-	-----	---	---	E. REVISED PART GEOMETRY. D. REVISED GENERAL NOTES.	-----	--	--		
2	2-24-05	MSO	RPA	C. REVISED DRAWING TITLE. B. REVISED CAD FILENAME.	38022-45	RN	RN		
1	11-21-01	JHNU	CVV	A. REVISED MATERIAL NOTE.	38022-45	HIW	HIW		
R	9-25-01	MSO	CVV	RELEASED TO PRODUCTION	38022-45	HIW	HIW		

PANDUIT CORP TINLEY PARK, ILLINOIS

FIBERRUNNER 4x4 AND 6x4 QUIKLOCK EIA/TIA RACK MOUNT BRACKET (FR6RMBE1A) CUSTOMER DRAWING

UNLESS OTHERWISE SPECIFIED, DIMENSIONAL TOLERANCES ARE:
(.X) ± (.XXX) ±
(.XX) ± .03 (.8) ANGLES ±

UNLESS OTHERWISE SPECIFIED, ALL DIMENSIONS ARE GIVEN IN INCHES, THIRD ANGLE PROJECTION.

SCALE: NONE

DRAWING NO. 38022-45 DWG SIZE A

DRAWN BY: MSO
DATE: 9-25-01
CHK'D: CVV

MAT'L: STEEL