



Chipsmall Limited consists of a professional team with an average of over 10 year of expertise in the distribution of electronic components. Based in Hongkong, we have already established firm and mutual-benefit business relationships with customers from,Europe,America and south Asia,supplying obsolete and hard-to-find components to meet their specific needs.

With the principle of “Quality Parts,Customers Priority,Honest Operation,and Considerate Service”,our business mainly focus on the distribution of electronic components. Line cards we deal with include Microchip,ALPS,ROHM,Xilinx,Pulse,ON,Everlight and Freescale. Main products comprise IC,Modules,Potentiometer,IC Socket,Relay,Connector.Our parts cover such applications as commercial,industrial, and automotives areas.

We are looking forward to setting up business relationship with you and hope to provide you with the best service and solution. Let us make a better world for our industry!



## Contact us

Tel: +86-755-8981 8866 Fax: +86-755-8427 6832

Email & Skype: info@chipsmall.com Web: www.chipsmall.com

Address: A1208, Overseas Decoration Building, #122 Zhenhua RD., Futian, Shenzhen, China



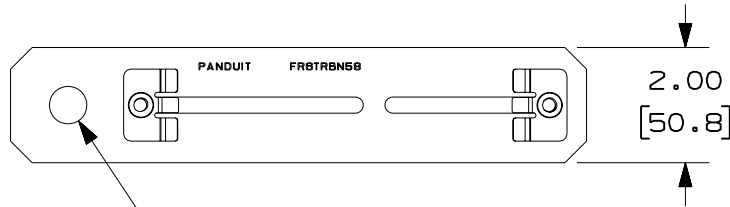


PANDUIT PART NUMBER	WEIGHT
FR6TRBN58 FR6TRBN58M	1.20 LB/EACH (543g/EACH)

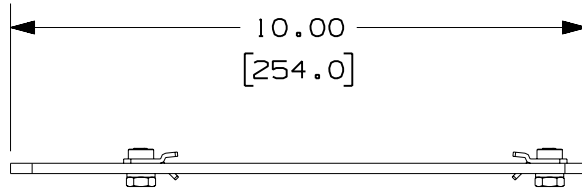


NOTES:

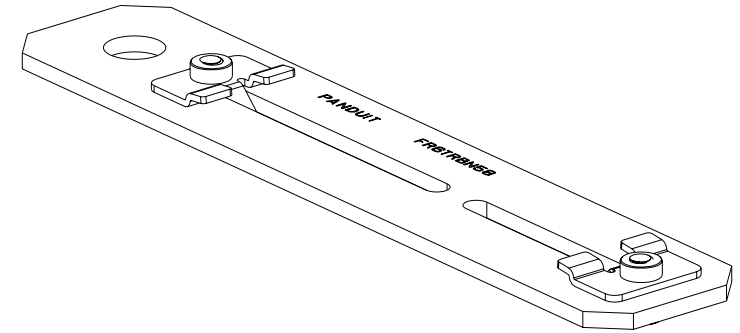
- SEE CURRENT CATALOG FOR ADDITIONAL PART SUFFIXES TO INDICATE PACKAGE QUANTITY.
- THE FIBERRUNNER 4x4 AND 6x4 QUIKLOCK NEW THREADED ROD BRACKET IS USED TO SUPPORT THE FIBERRUNNER 4x4 AND/OR 6x4 CABLE ROUTING SYSTEMS FROM A SECTION OF NEW 5/8" (M16) THREADED ROD (NOT INCLUDED).
- THE FIBERRUNNER 4x4 AND 6x4 QUIKLOCK NEW THREADED ROD BRACKET INCLUDES:  
ONE (1) BRACKET ASSEMBLY,  
TWO (2) 5/8 HELICAL SPRING LOCKWASHERS,  
TWO (2) 5/8-11 HEAVY HEX NUTS (FR6TRBN58 ONLY),  
TWO (2) M16x2 HEX NUTS (FR6TRBN58M ONLY)
- FINISH COLOR: BLACK (EXCEPT HARDWARE)
- DIMENSIONS IN PARENTHESES ARE IN METRIC.



.65 DIA  
[16.5]



.40  
[10.3]



ENG. REF.: D37585CZ\_DC\_FR6TRBN58\_01.prt

CAD FILENAME/LAYERS

FR6TRBN58.pdf

**PANDUIT** CORP TINLEY PARK, ILLINOIS  
 FIBERRUNNER 4x4 AND 6x4 QUIKLOCK NEW THREADED ROD BRACKET - 5/8" (M16)  
 THREADED ROD (FR6TRBN58, FR6TRBN58M)  
 CUSTOMER DRAWING



UNLESS OTHERWISE SPECIFIED,  
DIMENSIONAL TOLERANCES ARE:

(.X) ± (.XXX) ±  
(.XX) ± .03 (.8) ANGLES ±

UNLESS OTHERWISE SPECIFIED,  
ALL DIMENSIONS ARE GIVEN IN  
INCHES, THIRD ANGLE PROJECTION.

DRAWN BY  
JHNU

MAT'L:

DATE  
11-4-00

STEEL

SCALE  
NONE

DRAWING NO.  
37585-71

DWG  
A  
SIZE

REV	DATE	BY	CHK	DESCRIPTION	ECN	R	CUST	SUP	GMBH
-	-----	---	---	H. REMOVED ALL REFERENCES TO FR6TRBN12M	-----	--	--		
-	-----	---	---	G. REVISED TO INCLUDE FR6TRBN58	-----	--	--		
-	-----	---	---	F. REVISED PART WEIGHT E. REVISED CHART	-----	--	--		
-	-----	---	---	D. REVISED GENERAL NOTES C. REVISED CAD FILENAME	-----	--	--		
1	8-1-06	DTP	RN	B. REVISED DRAWING TITLE A. REVISED AND REDRAWN	37585-71	RN	RN		