



Chipsmall Limited consists of a professional team with an average of over 10 year of expertise in the distribution of electronic components. Based in Hongkong, we have already established firm and mutual-benefit business relationships with customers from,Europe,America and south Asia,supplying obsolete and hard-to-find components to meet their specific needs.

With the principle of “Quality Parts,Customers Priority,Honest Operation,and Considerate Service”,our business mainly focus on the distribution of electronic components. Line cards we deal with include Microchip,ALPS,ROHM,Xilinx,Pulse,ON,Everlight and Freescale. Main products comprise IC,Modules,Potentiometer,IC Socket,Relay,Connector.Our parts cover such applications as commercial,industrial, and automotives areas.

We are looking forward to setting up business relationship with you and hope to provide you with the best service and solution. Let us make a better world for our industry!



Contact us

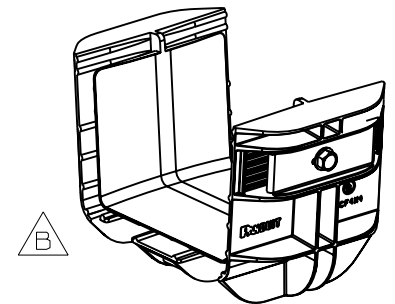
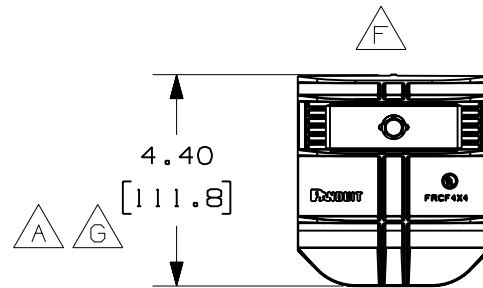
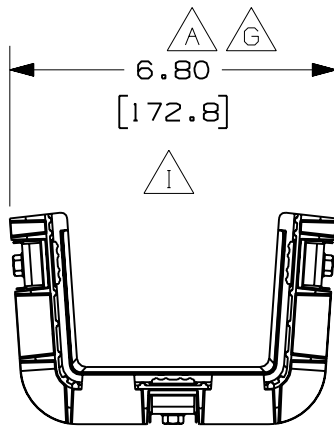
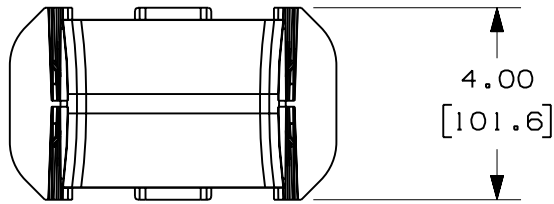
Tel: +86-755-8981 8866 Fax: +86-755-8427 6832

Email & Skype: info@chipsmall.com Web: www.chipsmall.com

Address: A1208, Overseas Decoration Building, #122 Zhenhua RD., Futian, Shenzhen, China



THIS COPY IS PROVIDED ON A RESTRICTED BASIS AND IS NOT TO BE USED IN ANY WAY DETRIMENTAL TO THE INTERESTS OF PANDUIT CORP.



PANDUIT PART NUMBER	WEIGHT
FRBC4X4	0.71 LB/EACH (322g/EACH)



NOTES:

1. SEE CURRENT CATALOG FOR ADDITIONAL PART SUFFIXES TO INDICATE COLOR AND/OR PACKAGE QUANTITY.
2. DIMENSIONS IN PARENTHESES ARE IN METRIC.

ENG. REF.: D37847CT_DC_FRBC4X4_03.prt

CAD FILENAME/LAYERS

FRBC4X4.pdf

PANDUIT CORP TINLEY PARK, ILLINOIS
FIBERRUNNER 4x4 QUIKLOCK
COUPLER (FRBC4X4)
 CUSTOMER DRAWING

UNLESS OTHERWISE SPECIFIED,
 DIMENSIONAL TOLERANCES ARE:

(.X) ± (.XXX) ±
 (.XX) ± .03 (.8) ANGLES ±

UNLESS OTHERWISE SPECIFIED,
 ALL DIMENSIONS ARE GIVEN IN
 INCHES, THIRD ANGLE PROJECTION.

DRAWN BY
 JHNU

MAT'L:



ABS AND STEEL

SCALE
 NONE

DATE
 7-13-01

DRAWING NO.
 37847-50

CHK'D
 DJWA

DWG
 A
 SIZE

REV	DATE	BY	CHK	DESCRIPTION	ECN	R	CUST	SUP	GMBH
-	-----	---	---	I. REMOVED DIMENSION H. REVISED MATERIAL	-----	--	--		
-	-----	---	---	G. RELOCATED DIMENSIONS F. ADDED RIGHT SIDE VIEW	-----	--	--		
3	7-10-06	DTP	RN	E. REVISED PART WEIGHT D. REVISED CAD FILENAME	37847-50	RN	RN		
2	1-9-04	JHNU	DJWA	C. REVISED WEIGHT B. REVISED PART GEOMETRY	37847-50	RN	RN		
1	10-1-01	JHNU	DJWA	A. REVISED PART GEOMETRY	37847-50	HIW	HIW		
R	7-13-01	JHNU	DJWA	RELEASED TO PRODUCTION	37847-50	HIW	HIW		