



Chipsmall Limited consists of a professional team with an average of over 10 year of expertise in the distribution of electronic components. Based in Hongkong, we have already established firm and mutual-benefit business relationships with customers from,Europe,America and south Asia,supplying obsolete and hard-to-find components to meet their specific needs.

With the principle of “Quality Parts,Customers Priority,Honest Operation,and Considerate Service”,our business mainly focus on the distribution of electronic components. Line cards we deal with include Microchip,ALPS,ROHM,Xilinx,Pulse,ON,Everlight and Freescale. Main products comprise IC,Modules,Potentiometer,IC Socket,Relay,Connector.Our parts cover such applications as commercial,industrial, and automotives areas.

We are looking forward to setting up business relationship with you and hope to provide you with the best service and solution. Let us make a better world for our industry!



Contact us

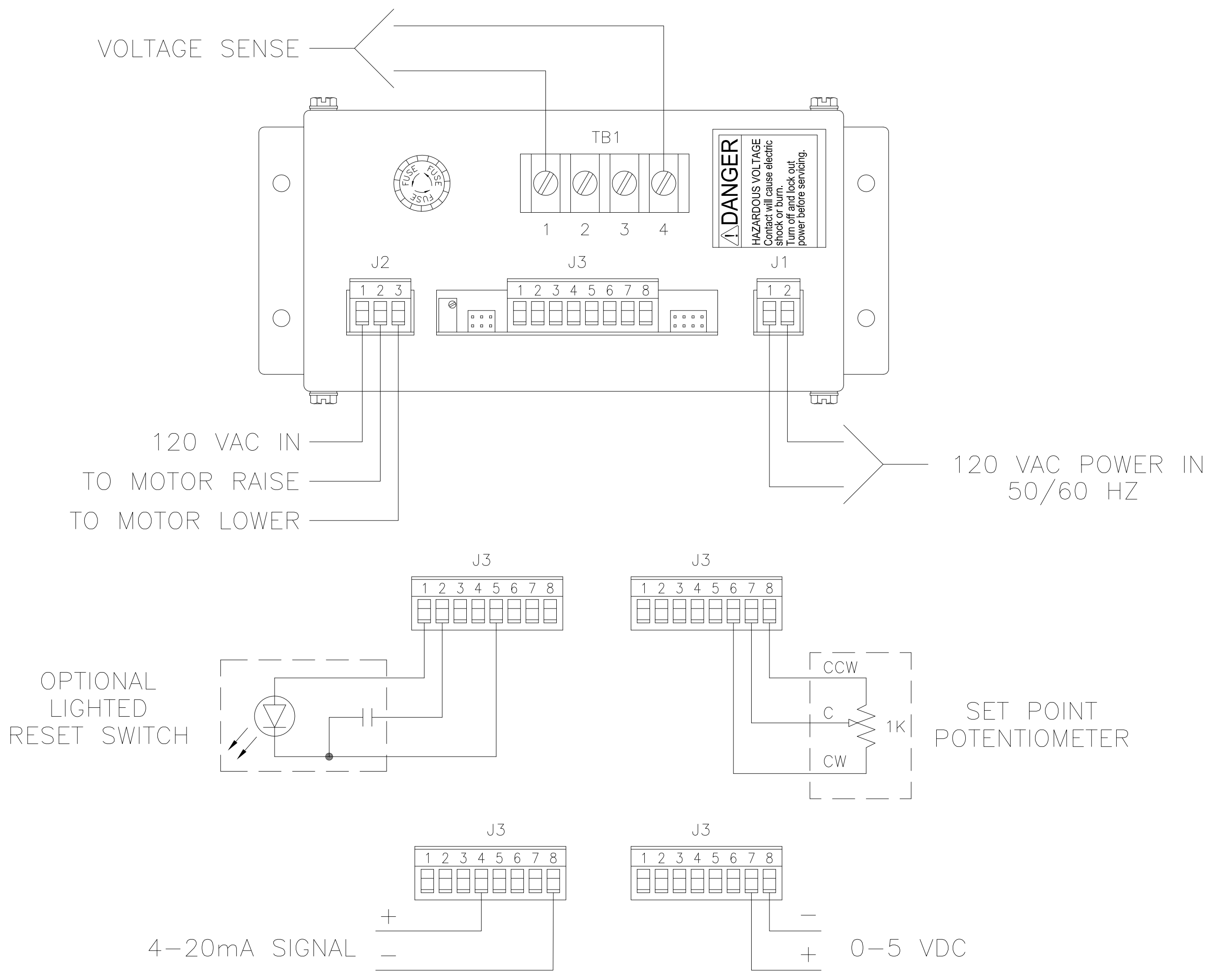
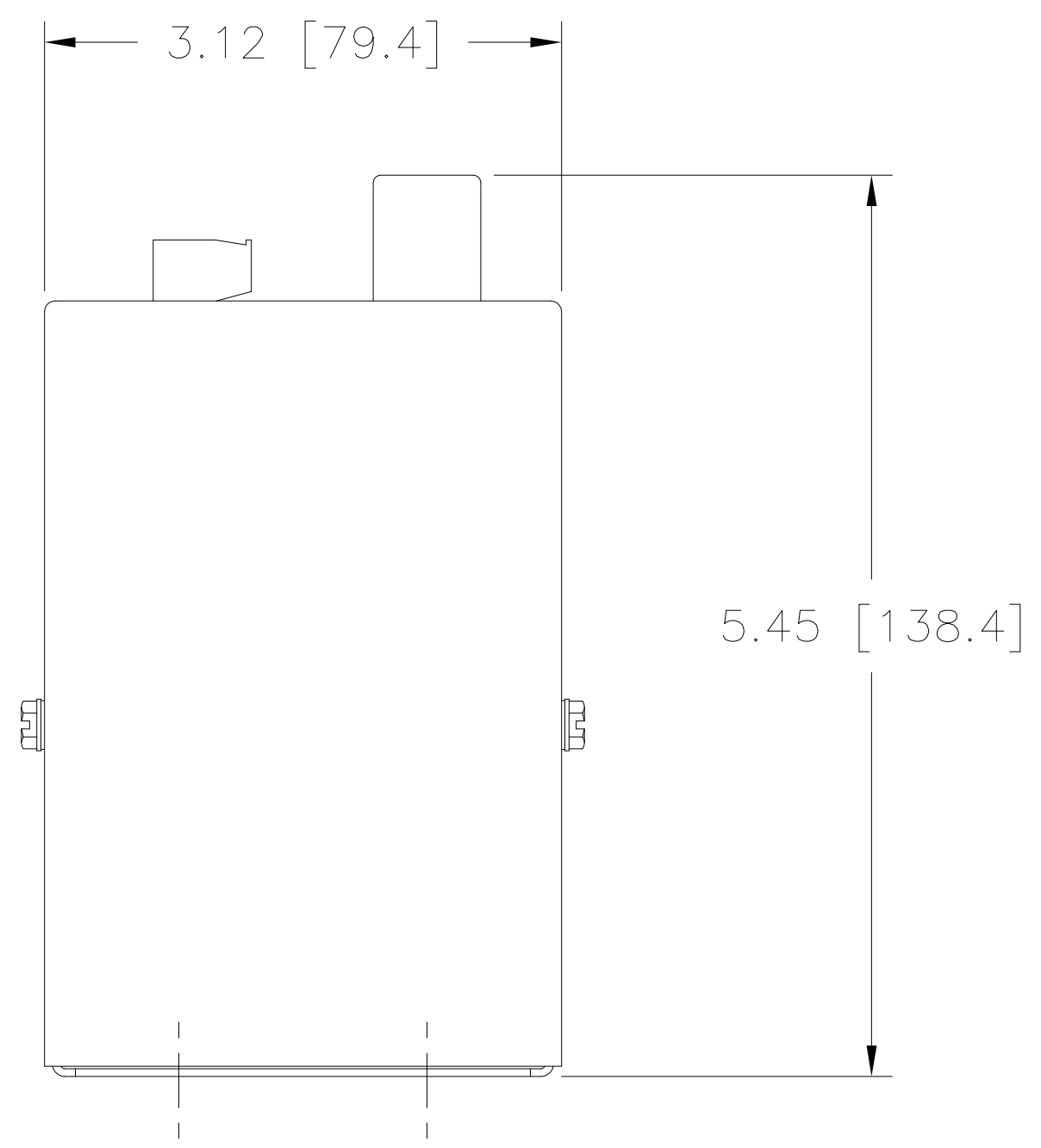
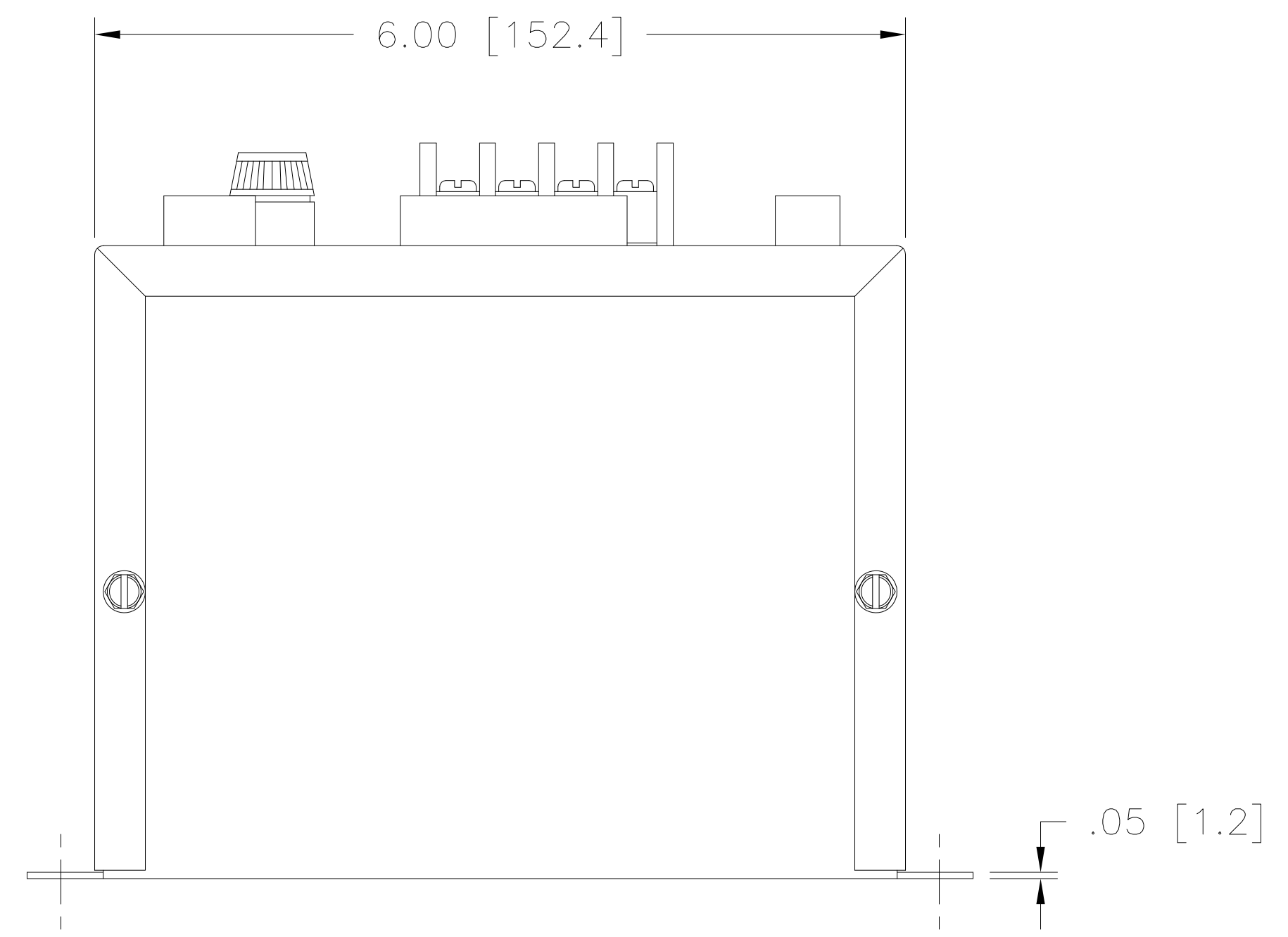
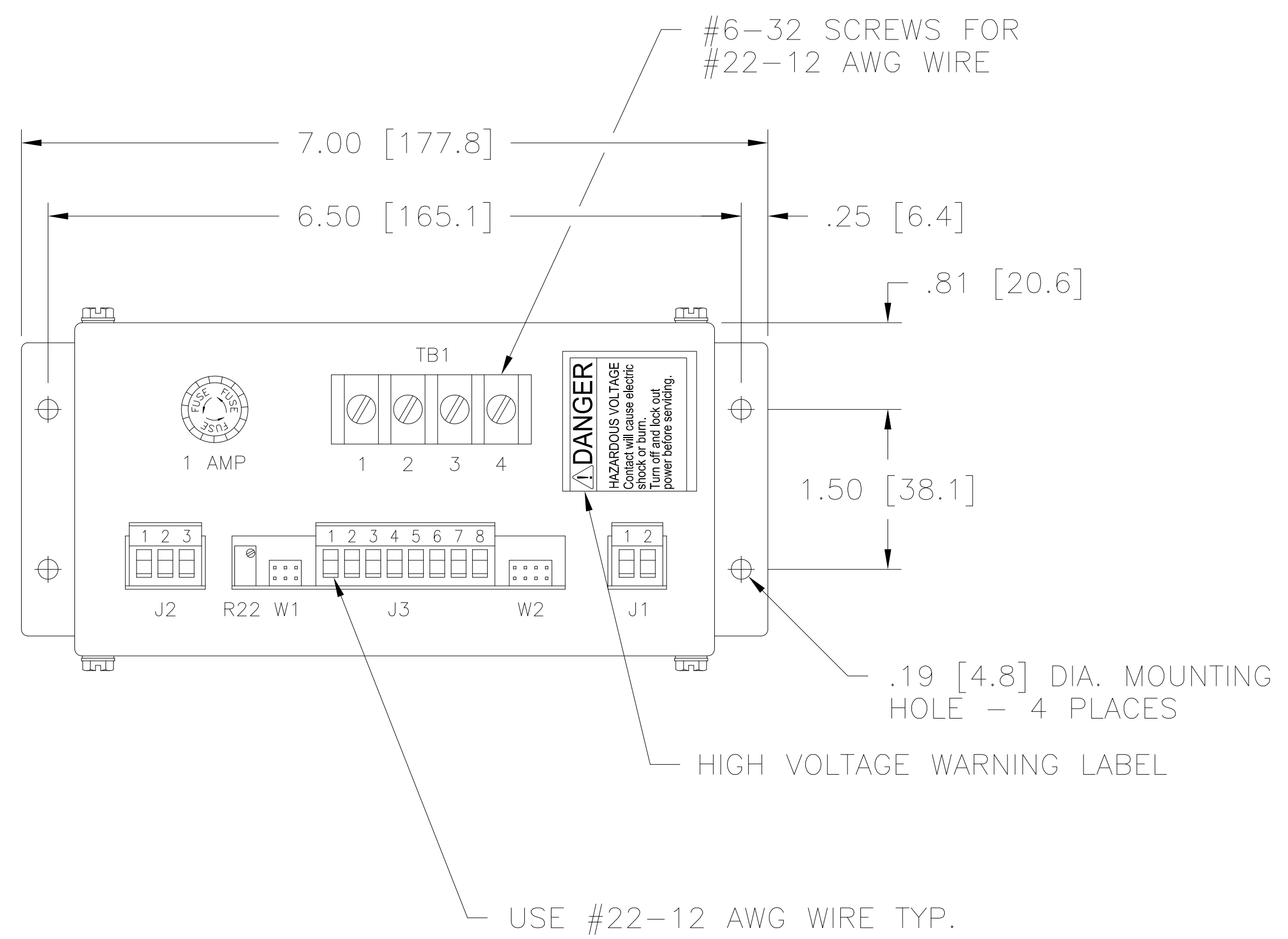
Tel: +86-755-8981 8866 Fax: +86-755-8427 6832

Email & Skype: info@chipsmall.com Web: www.chipsmall.com

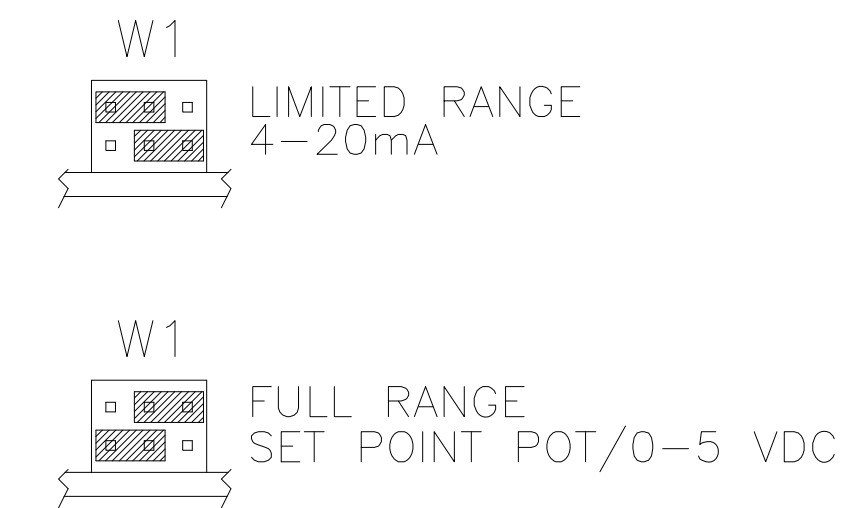
Address: A1208, Overseas Decoration Building, #122 Zhenhua RD., Futian, Shenzhen, China



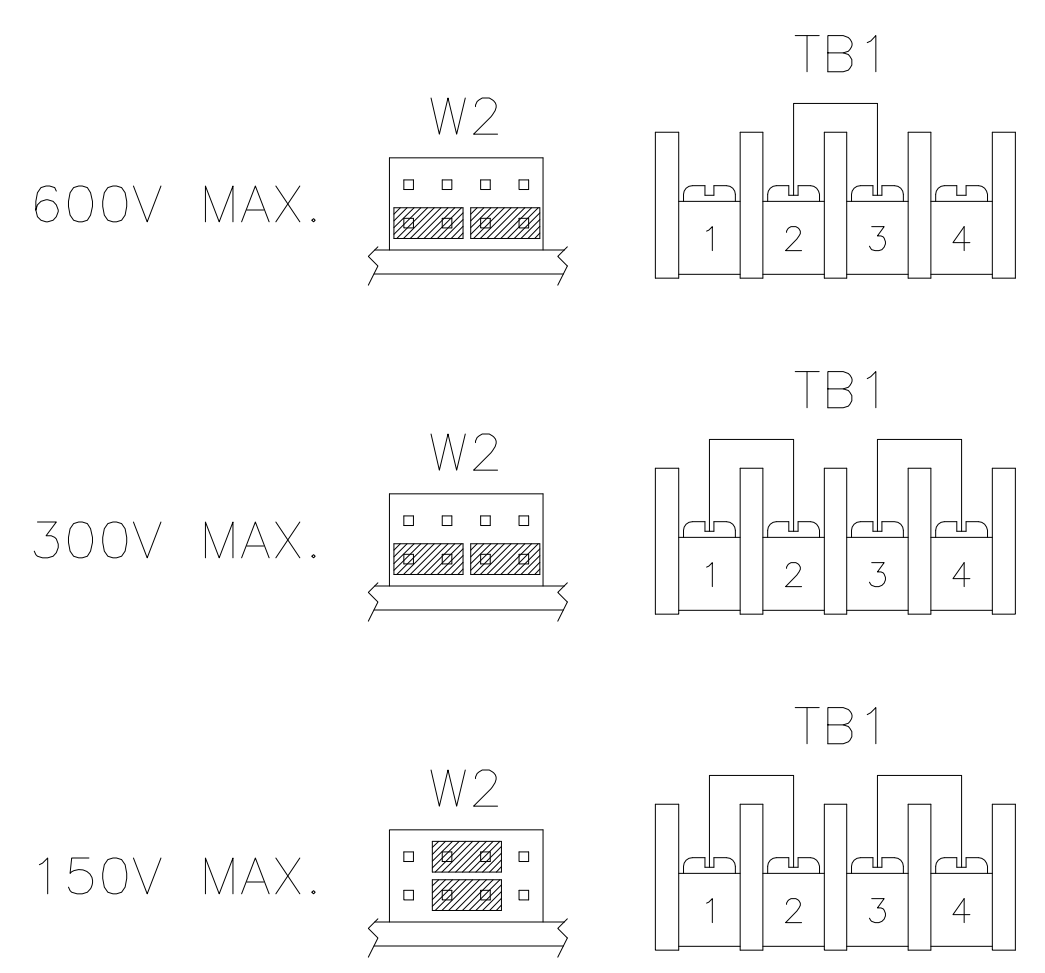
DWG. NO.	095-0561		
REVISIONS			
SYM.	E.C.O.	DATE	APVD.
A	28788	3/22/17	
	ADD WARNING LABEL		
B	28847	5/31/17	
	UPDATED 4-20mA SIGNAL		



WIRING DIAGRAM



RANGE/SET POINT SELECTION
FULL RANGE/SET POINT POT IS STANDARD



SENSE VOLTAGE SELECTION
300V IS STANDARD
(JUMPERS SUPPLIED WITH UNIT)

UNLESS OTHERWISE SPECIFIED, TOLERANCE IS ±		UNITS		TITLE:	
DECIMALS	HOLE	ANGLES	DRAFT	SPEC. CONTROL DRAWING	
.XX .010	.03	.005	.01	1°	1-1/2°
.XXX	.005				
MATERIAL:		ALL DIMENSIONS APPLY AFTER PLATING.		DRAWN BY: T.SNAY	
The information and design disclosed herein was originated by and is the property of STACO ENERGY PRODUCTS CO., which reserves all patent, proprietary, design, manufacturing, reproduction, use and sale rights thereto, and to any article disclosed therein except to the extent rights are expressly granted to others. The foregoing does not apply to vendor proprietary parts.		DATE: 1/18/08		FIRST USED ON: FRC-20	
CHECKER:		DATE:		DO NOT SCALE DWG.	
ENGINEER:		DATE:		WEIGHT APPROX: 3 LBS	
		SCALE: 1=1		CASE CODE: 83008	
		SHEET 1 OF 1		DWG. NO.: 095-0561	

