



Chipsmall Limited consists of a professional team with an average of over 10 year of expertise in the distribution of electronic components. Based in Hongkong, we have already established firm and mutual-benefit business relationships with customers from,Europe,America and south Asia,supplying obsolete and hard-to-find components to meet their specific needs.

With the principle of "Quality Parts,Customers Priority,Honest Operation,and Considerate Service",our business mainly focus on the distribution of electronic components. Line cards we deal with include Microchip,ALPS,ROHM,Xilinx,Pulse,ON,Everlight and Freescale. Main products comprise IC,Modules,Potentiometer,IC Socket,Relay,Connector.Our parts cover such applications as commercial,industrial, and automotives areas.

We are looking forward to setting up business relationship with you and hope to provide you with the best service and solution. Let us make a better world for our industry!



Contact us

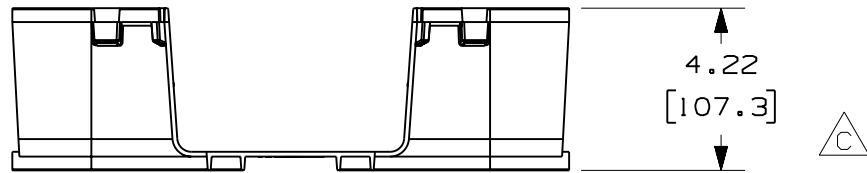
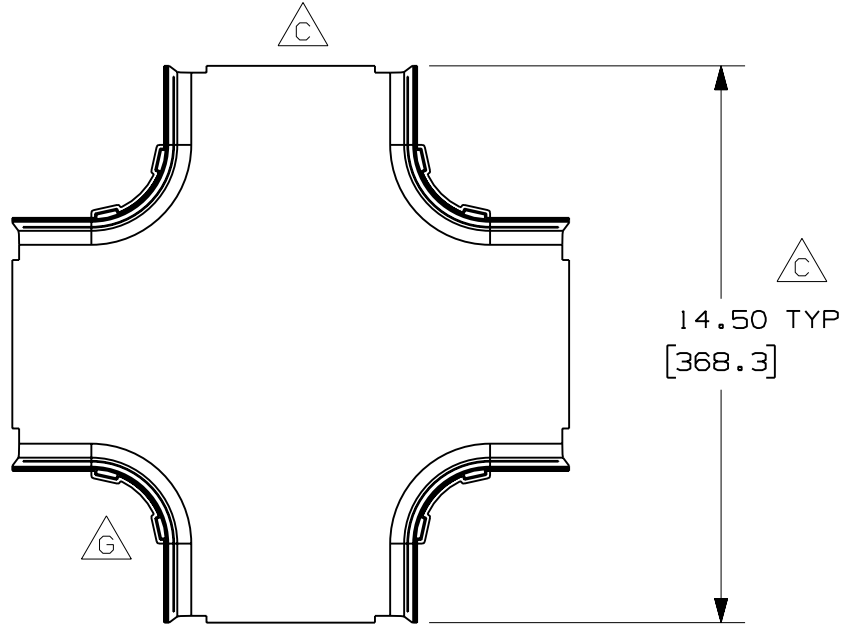
Tel: +86-755-8981 8866 Fax: +86-755-8427 6832

Email & Skype: info@chipsmall.com Web: www.chipsmall.com

Address: A1208, Overseas Decoration Building, #122 Zhenhua RD., Futian, Shenzhen, China



THIS COPY IS PROVIDED ON A RESTRICTED BASIS AND IS NOT TO BE USED IN ANY WAY DETRIMENTAL TO THE INTERESTS OF PANDUIT CORP.

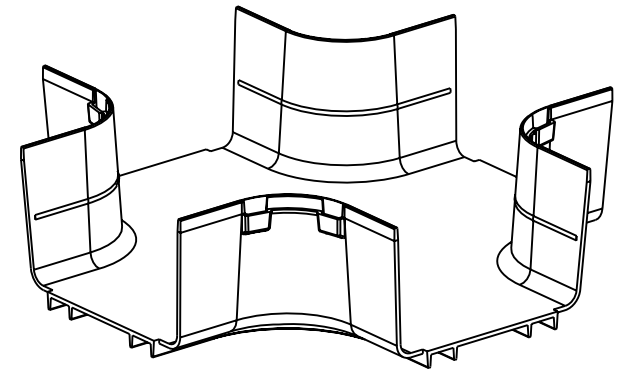


PANDUIT PART NUMBER	WEIGHT
FRFWC6X4	1.43 LB/EACH (648g/EACH)



NOTES:

1. SEE CURRENT CATALOG FOR ADDITIONAL PART SUFFIXES TO INDICATE COLOR AND/OR PACKAGE QUANTITY.
2. THE FIBERRUNNER 6x4 FOUR-WAY CROSS FITTING IS DESIGNED WITH A MINIMUM 2" (50.8) BEND RADIUS TO PROTECT FIBER OPTIC CABLES.
3. DIMENSIONS IN PARENTHESES ARE IN METRIC.



ENG. REF.: D37185FA_DC_FRFWC6X4_01.prt

CAD FILENAME/LAYERS

D FRFWC6X4.pdf

REV	DATE	BY	CHK	DESCRIPTION	ECN	R	CUST	SUP	GMBH
-	-----	---	---	H. REVISED GENERAL NOTES	-----	--	--		
-	-----	---	---	G. REVISED DRAWING VIEWS F. REVISED PART WEIGHT	-----	--	--		
2	6-27-06	DTP	RN	E. REVISED DRAWING TITLE D. REVISED CAD FILENAME	37185-73	RN	RN		
-	-----	---	---	C. REVISED ALL DIMENSIONS TO CURRENT STANDARDS	-----	---	---		
1	1-17-01	JHNU	HIW	B. ADDED DIM. TOLERANCE A. REVISED DRAWING TITLE	37185-73	HIW	HIW		
R	5-5-00	REWE	SMF	RELEASED TO PRODUCTION	37185-73	HIW	HIW		

PANDUIT CORP		TINLEY PARK, ILLINOIS	
FIBERRUNNER 6x4 FOUR-WAY CROSS FITTING (FRFWC6X4)			
CUSTOMER DRAWING			
UNLESS OTHERWISE SPECIFIED, DIMENSIONAL TOLERANCES ARE: (.X) ± (.XX) ± .03 (.8)		UNLESS OTHERWISE SPECIFIED, ALL DIMENSIONS ARE GIVEN IN INCHES, THIRD ANGLE PROJECTION.	
DRAWN BY REWE		SCALE NONE	
DATE 5-5-00		DRAWING NO. 37185-73	
CHK'D SMF		DWG A	
MATERIAL ABS		SIZE A	