



Chipsmall Limited consists of a professional team with an average of over 10 year of expertise in the distribution of electronic components. Based in Hongkong, we have already established firm and mutual-benefit business relationships with customers from,Europe,America and south Asia,supplying obsolete and hard-to-find components to meet their specific needs.

With the principle of "Quality Parts,Customers Priority,Honest Operation,and Considerate Service",our business mainly focus on the distribution of electronic components. Line cards we deal with include Microchip,ALPS,ROHM,Xilinx,Pulse,ON,Everlight and Freescale. Main products comprise IC,Modules,Potentiometer,IC Socket,Relay,Connector.Our parts cover such applications as commercial,industrial, and automotives areas.

We are looking forward to setting up business relationship with you and hope to provide you with the best service and solution. Let us make a better world for our industry!



Contact us

Tel: +86-755-8981 8866 Fax: +86-755-8427 6832

Email & Skype: info@chipsmall.com Web: www.chipsmall.com

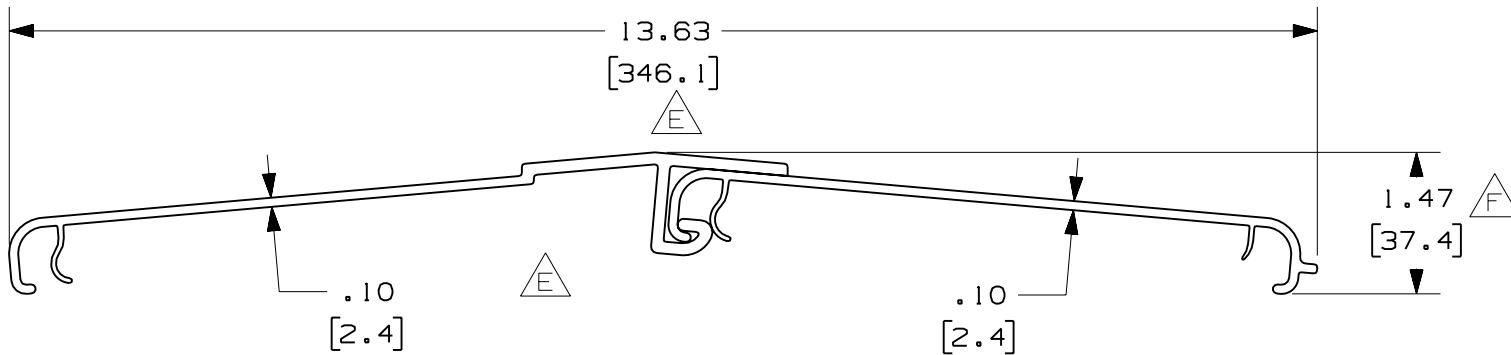
Address: A1208, Overseas Decoration Building, #122 Zhenhua RD., Futian, Shenzhen, China



D PANDUIT PART NUMBER	LENGTH	WEIGHT	WEIGHT/LENGTH
FRHC12**2 (SEE NOTE 1)	78.74 IN ±.18 IN (2000.0mm ±4.6mm)	8.33 LB (3778g)	1.27 LB/FT (18.9g/cm)
FRHC12**6 (SEE NOTE 1)	72.00 IN ±.18 IN (1828.8mm ±4.6mm)	7.62 LB (3456g)	1.27 LB/FT (18.9g/cm)

NOTES:

- SEE CURRENT CATALOG FOR ADDITIONAL PART SUFFIXES TO INDICATE COLOR AND/OR PACKAGE QUANTITY.
- DIMENSIONS IN PARENTHESES ARE IN METRIC.



A ENG. REF.: D37689BE_DC_FRHC12_01.prt

CAD FILENAME/LAYERS C FRHC12.pdf

PANDUIT CORP TINLEY PARK, ILLINOIS
FIBERRUNNER 12x4 SNAP-ON HINGED COVER (FRHC122, FRHC12**6)**
B CUSTOMER DRAWING

UNLESS OTHERWISE SPECIFIED, DIMENSIONAL TOLERANCES ARE:
 (.X) ± (.XXX) ±
 (.XX) ±.03 (0.8) ANGLES ±

UNLESS OTHERWISE SPECIFIED, ALL DIMENSIONS ARE GIVEN IN INCHES, THIRD ANGLE PROJECTION.

REV	DATE	BY	CHK	DESCRIPTION	ECN	R	CUST	SUP	GMBH
-	-----	---	---	F. RELOCATED DIMENSION	-----	---	---		
-	-----	---	---	E. REMOVED DIMENSIONS D. REVISED ENTIRE CHART	-----	---	---		
2	7-20-06	DTP	RN	C. REVISED CAD FILENAME B. REVISED DRAWING TITLE	37689-06	RN	RN		
1	6-20-01	JHNU	HIW	A. REVISED FILENAME: CONVERTED TO PDF FILE	37689-06	HIW	HIW		
R	10-5-00	JHNU	RCRO	RELEASED TO PRODUCTION	37689-06	HIW	HIW		

DRAWN BY JHNU	MAT'L: PVC	SCALE NONE
DATE 10-5-00		DRAWING NO. 37689-06
CHK'D RCRO		DWG A SIZE