

Chipsmall Limited consists of a professional team with an average of over 10 year of expertise in the distribution of electronic components. Based in Hongkong, we have already established firm and mutual-benefit business relationships with customers from,Europe,America and south Asia,supplying obsolete and hard-to-find components to meet their specific needs.

With the principle of “Quality Parts,Customers Priority,Honest Operation,and Considerate Service”,our business mainly focus on the distribution of electronic components. Line cards we deal with include Microchip,ALPS,ROHM,Xilinx,Pulse,ON,Everlight and Freescale. Main products comprise IC,Modules,Potentiometer,IC Socket,Relay,Connector.Our parts cover such applications as commercial,industrial, and automotives areas.

We are looking forward to setting up business relationship with you and hope to provide you with the best service and solution. Let us make a better world for our industry!



## Contact us

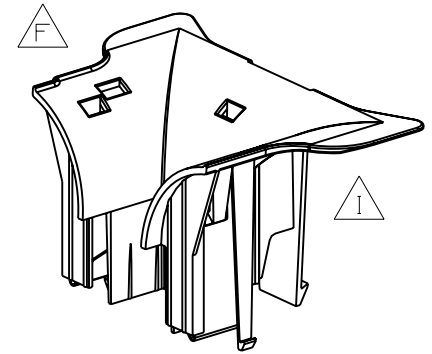
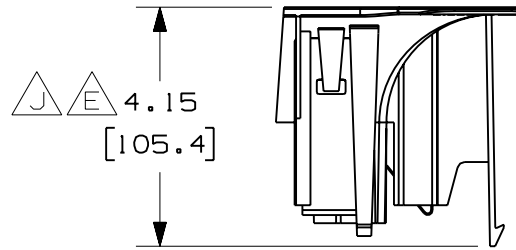
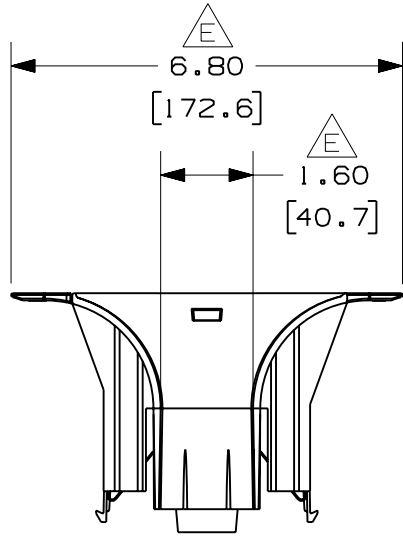
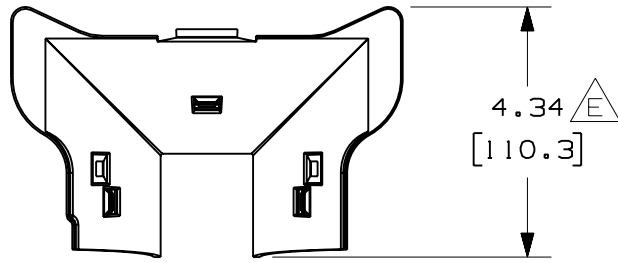
Tel: +86-755-8981 8866 Fax: +86-755-8427 6832

Email & Skype: info@chipsmall.com Web: www.chipsmall.com

Address: A1208, Overseas Decoration Building, #122 Zhenhua RD., Futian, Shenzhen, China

THIS COPY IS PROVIDED ON A RESTRICTED BASIS AND IS NOT TO BE USED IN ANY WAY DETRIMENTAL TO THE INTERESTS OF PANDUIT CORP.

PANDUIT PART NUMBER	WEIGHT
FRLPR42BL	0.37 LB/EACH (167g/EACH)



**NOTES:**

1. SEE CURRENT CATALOG FOR ADDITIONAL PART SUFFIXES TO INDICATE PACKAGE QUANTITY.
2. THE FIBERRUNNER 4-2 LOW PROFILE REDUCER IS DESIGNED WITH A MINIMUM 2" (50.8) BEND RADIUS TO PROTECT FIBER OPTIC CABLES.
3. THE FIBERRUNNER 4-2 LOW PROFILE REDUCER ALLOWS FOR FIBER-DUCT 2x2 SOLID OR SLOTTED WALL CHANNEL OR FIBERRUNNER 2x2 HINGED OR HINGED SLOTTED CHANNEL TO BE INSTALLED INTO THE VERTICAL EXIT OF THE FIBERRUNNER 4x4 OR FIBERRUNNER 6x4 QUIKLOCK VERTICAL TEE.
4. DIMENSION IN PARENTHESES ARE IN METRIC.

ENG. REF.: D37847DH\_DC\_FRLPR42\_02.prt

CAD FILENAME/LAYERS: FRLPR42BL.pdf

-	-----	---	--	K. REVISED GENERAL NOTES	-----	--	--		
-	-----	---	--	J. REVISED DIMENSION I. ORIENTATION WAS ROTATED	-----	--	--		
2	7-6-06	DTP	RN	H. REVISED PART WEIGHT. G. REVISED DRAWING TITLE.	37847-75	RN	RN		
-	-----	---	---	F. REVISED PART GEOMETRY. E. REV'D ALL DIM LOCATIONS.	-----	--	--		
-	-----	---	---	D. REVISED GENERAL NOTES. C. REVISED PART NUMBER.	-----	--	--		
1	5-24-04	MSO	SMF	B. REVISED DRAWING TITLE. A. REVISED CAD FILENAME.	37847-75	RN	RN		
R	7-30-01	JHNU	HIW	RELEASED TO PRODUCTION	37847-75	HIW	HIW		
REV	DATE	BY	CHK	DESCRIPTION	ECN	R	CUST	SUP	GMBH

<h1>PANDUIT</h1> <p>CORP TINLEY PARK, ILLINOIS</p>		<p>FIBERRUNNER 4-2 LOW PROFILE REDUCER (FRLPR42BL)</p>	
		<p>CUSTOMER DRAWING</p>	
<p>UNLESS OTHERWISE SPECIFIED, DIMENSIONAL TOLERANCES ARE:</p> <p>(.X) ± (.XXX) ± (.XX) ± .03 (.8) ANGLES ±</p>		<p>UNLESS OTHERWISE SPECIFIED, ALL DIMENSIONS ARE GIVEN IN INCHES, THIRD ANGLE PROJECTION.</p>	
<p>DRAWN BY: JHNU</p> <p>DATE: 7-30-01</p> <p>CHK'D: HIW</p>	<p>MAT'L: ABS AND STEEL</p>	<p>SCALE: NONE</p>	<p>DWG NO: 37847-75</p> <p>SIZE: A</p>