



Chipsmall Limited consists of a professional team with an average of over 10 year of expertise in the distribution of electronic components. Based in Hongkong, we have already established firm and mutual-benefit business relationships with customers from,Europe,America and south Asia,supplying obsolete and hard-to-find components to meet their specific needs.

With the principle of “Quality Parts,Customers Priority,Honest Operation,and Considerate Service”,our business mainly focus on the distribution of electronic components. Line cards we deal with include Microchip,ALPS,ROHM,Xilinx,Pulse,ON,Everlight and Freescale. Main products comprise IC,Modules,Potentiometer,IC Socket,Relay,Connector.Our parts cover such applications as commercial,industrial, and automotives areas.

We are looking forward to setting up business relationship with you and hope to provide you with the best service and solution. Let us make a better world for our industry!



Contact us

Tel: +86-755-8981 8866 Fax: +86-755-8427 6832

Email & Skype: info@chipsmall.com Web: www.chipsmall.com

Address: A1208, Overseas Decoration Building, #122 Zhenhua RD., Futian, Shenzhen, China



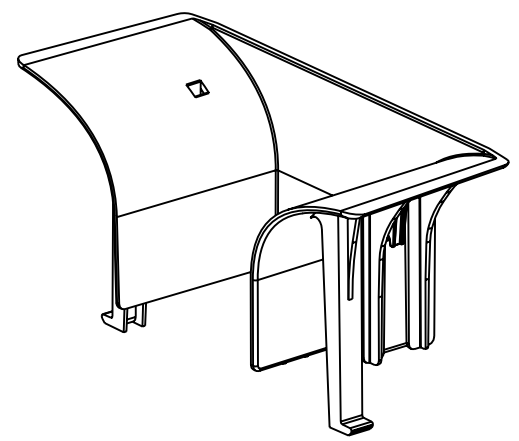
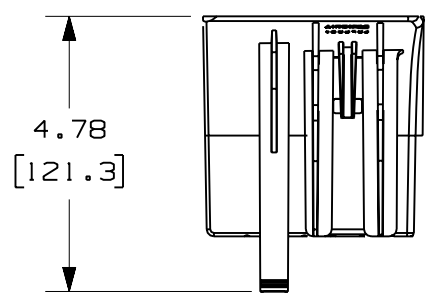
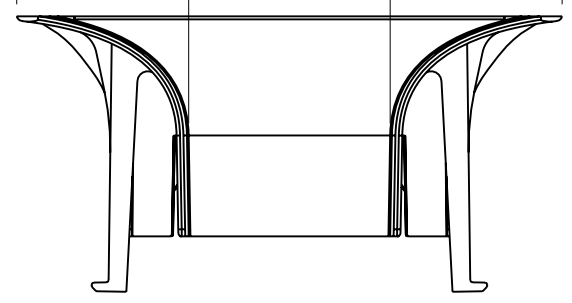
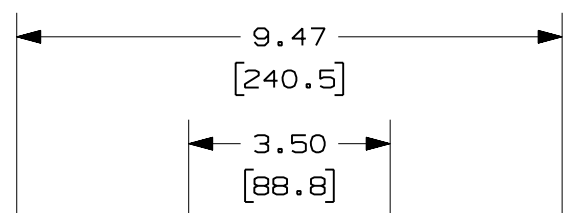
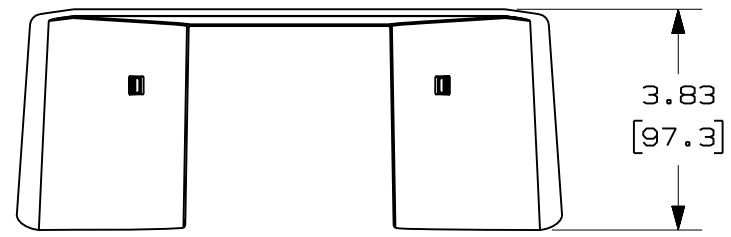


PANDUIT PART NUMBER	WEIGHT
FRLPR64BL	0.45 LB/EACH (206g/EACH)



NOTES:

1. SEE CURRENT CATALOG FOR ADDITIONAL PART SUFFIXES TO INDICATE PACKAGE QUANTITY.
2. THE FIBERRUNNER 6-4 LOW PROFILE REDUCER IS DESIGNED WITH A MINIMUM 2" (50.8) BEND RADIUS TO PROTECT FIBER OPTIC CABLES.
3. THE FIBERRUNNER 6-4 LOW PROFILE REDUCER ALLOWS FOR FIBER-DUCT 4x4 SOLID OR SLOTTED WALL CHANNEL TO BE INSERTED INTO THE VERTICAL EXIT END OF THE FIBERRUNNER 12x4 VERTICAL TEE FITTING.
4. DIMENSIONS IN PARENTHESES ARE IN METRIC.



ENG. REF.: D38671BC_DC_FRLPR64BL_01.prt

CAD FILENAME/LAYERS: FRLPR64BL.pdf

REV	DATE	BY	CHK	DESCRIPTION	ECN	R	CUST	SUP	GMBH
-	-----	---	---	F. REVISED PART WEIGHT	-----	--	--		
-	-----	---	---	E. REVISED GENERAL NOTES D. REVISED CAD FILENAME	-----	--	--		
2	7-6-06	DTP	RN	C. REVISED DRAWING TITLE B. REVISED AND REDRAWN	38671-03	RN	RN		

PANDUIT CORP TINLEY PARK, ILLINOIS
FIBERRUNNER 6-4 LOW PROFILE REDUCER (FRLPR64BL)
 CUSTOMER DRAWING

UNLESS OTHERWISE SPECIFIED, DIMENSIONAL TOLERANCES ARE:
 (.X) ± (.XXX) ±
 (.XX) ± .03 (.8) ANGLES ±

UNLESS OTHERWISE SPECIFIED, ALL DIMENSIONS ARE GIVEN IN INCHES, THIRD ANGLE PROJECTION.

DRAWN BY: JHNU
 DATE: 10-9-03
 CHK'D: RPA

MAT'L: ABS AND STEEL

SCALE: NONE
 DRAWING NO.: 38671-03
 DWG SIZE: A