



Chipsmall Limited consists of a professional team with an average of over 10 year of expertise in the distribution of electronic components. Based in Hongkong, we have already established firm and mutual-benefit business relationships with customers from,Europe,America and south Asia,supplying obsolete and hard-to-find components to meet their specific needs.

With the principle of “Quality Parts,Customers Priority,Honest Operation,and Considerate Service”,our business mainly focus on the distribution of electronic components. Line cards we deal with include Microchip,ALPS,ROHM,Xilinx,Pulse,ON,Everlight and Freescale. Main products comprise IC,Modules,Potentiometer,IC Socket,Relay,Connector.Our parts cover such applications as commercial,industrial, and automotives areas.

We are looking forward to setting up business relationship with you and hope to provide you with the best service and solution. Let us make a better world for our industry!



## Contact us

Tel: +86-755-8981 8866 Fax: +86-755-8427 6832

Email & Skype: info@chipsmall.com Web: www.chipsmall.com

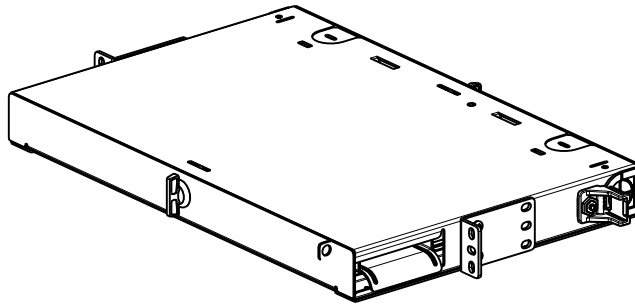
Address: A1208, Overseas Decoration Building, #122 Zhenhua RD., Futian, Shenzhen, China



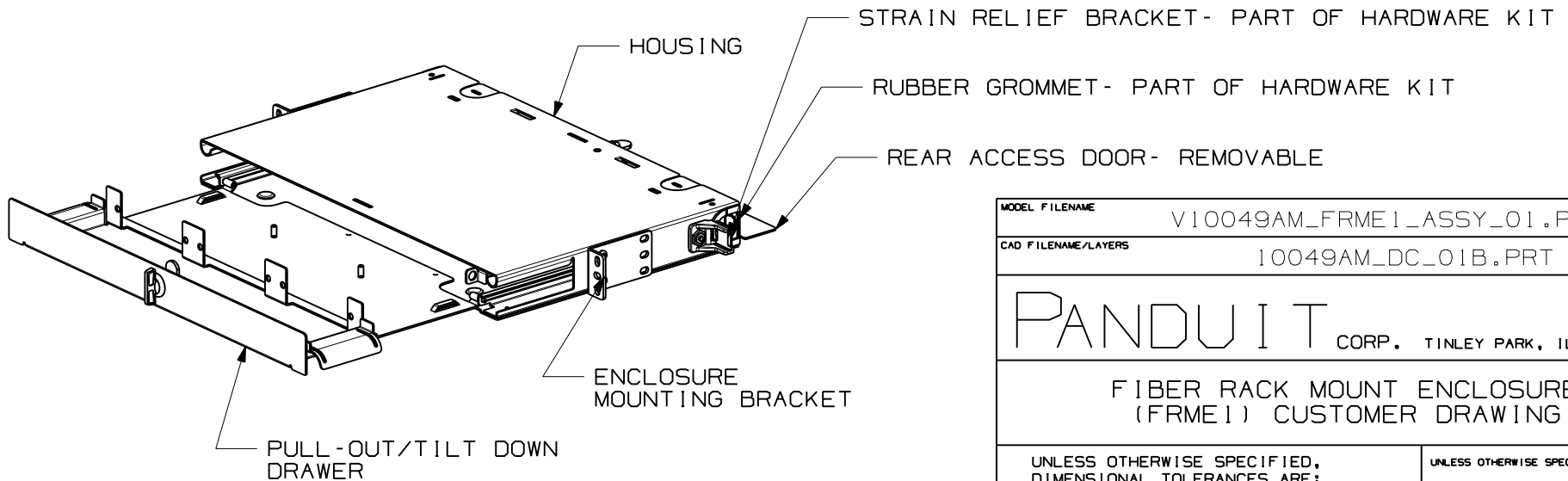
THIS COPY IS PROVIDED ON A RESTRICTED BASIS AND IS NOT TO BE USED IN ANY WAY DETRIMENTAL TO THE INTERESTS OF PANDUIT CORP.

NOTES:

1. SEE CATALOG FOR COMPLETE LIST OF PARTS APPLICABLE FOR USE WITH THIS PART.
2. DIMENSIONS IN PARENTHESES ARE IN METRIC.
3. ENCLOSURE CAN BE MOUNTED ON A 19" OR 23" STANDARD EIA RACK.
4. COMPLETE ENCLOSURE IS MADE FROM 16 GAUGE GALVANNEALED COLD ROLLED STEEL.
5. ENCLOSURE IS PAINTED BLACK
6. ENCLOSURE IS SUPPLIED WITH (1) HARDWARE KIT AND PORT I.D. LABEL.
7. PART CAN HOLD UP TO 3 FAPS.



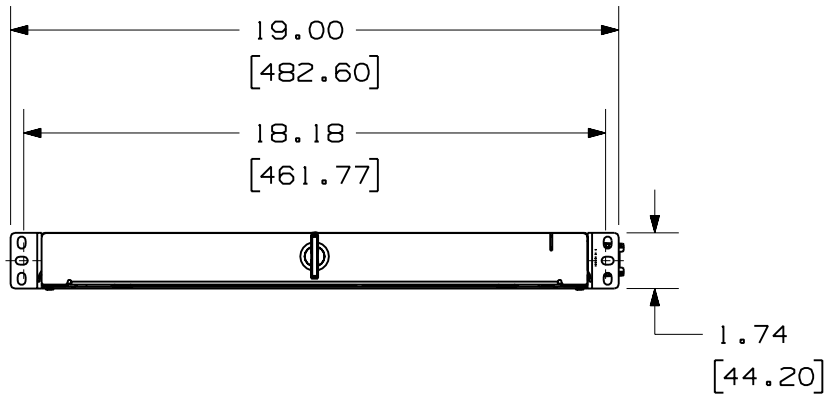
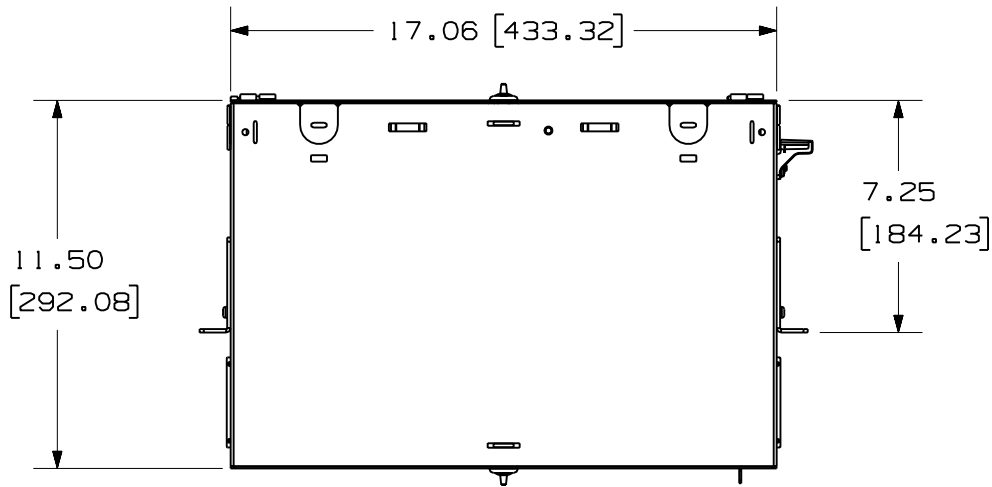
PANDUIT P/N	WEIGHT
FRME1	13.4 LB/EA 6078.1 G/EA



MODEL FILENAME V10049AM_FRME1_ASSY_01.PRT	
CAD FILENAME/LAYERS 10049AM_DC_01B.PRT	
<h1>PANDUIT</h1> CORP. TINLEY PARK, ILLINOIS	
<b>FIBER RACK MOUNT ENCLOSURE (FRME1) CUSTOMER DRAWING</b>	
UNLESS OTHERWISE SPECIFIED, DIMENSIONAL TOLERANCES ARE: (.X) ± (.XXX) ± (.XX) ±.03 (.8) ANGLES ±	UNLESS OTHERWISE SPECIFIED, ALL DIMENSIONS ARE GIVEN IN INCHES, THIRD ANGLE PROJECTION.

1	3-12-02	JDWE		SEE SHEET 2 OF 2 FOR REVISIONS	10049-49					DRAWN BY JDWE	MAT'L:	SCALE 1/6
R	2-8-02	JDWE	AFW	SEE SHEET 2 OF 2 FOR REVISIONS	10049-49	JW1				DATE 2-8-02	SEE NOTES	DRAWING NO. 10049-49
REV	DATE	BY	CHK	DESCRIPTION	ECN - R	CUST	SUP	OTH	CHK'D AFW	SHEET 1 OF 2		DWG A SIZE

THIS COPY IS PROVIDED ON A RESTRICTED BASIS AND IS NOT TO BE USED IN ANY WAY DETRIMENTAL TO THE INTERESTS OF PANDUIT CORP.



MODEL FILENAME V10049AM\_FRME1\_ASSY\_01.PRT

CAD FILENAME/LAYERS V10049AM\_DC\_01B.PRT

PANDUIT CORP. TINLEY PARK, ILLINOIS

FIBER RACK MOUNT ENCLOSURE (FRME1) CUSTOMER DRAWING

UNLESS OTHERWISE SPECIFIED, DIMENSIONAL TOLERANCES ARE:  
(.X) ± (.XXX) ±  
(.XX) ±.03 (.8) ANGLES ±

UNLESS OTHERWISE SPECIFIED, ALL DIMENSIONS ARE GIVEN IN INCHES, THIRD ANGLE PROJECTION.

REV	DATE	BY	CHK	DESCRIPTION	ECN	R	CUST	SUP	OTH
I	3-12-02	JDWE		A. CHANGED SHEET NUMBERS.	10049-49				
R	2-8-02	JDWE	AFW	RELEASED TO PRODUCTION	10049-49	JWI			

DRAWN BY JDWE

MAT'L:

SCALE 1:6

DATE 2-8-02

SEE NOTES

DRAWING NO. 10049-49 <sup>A</sup>

CHK'D AFW

SHEET 2 OF 2

DWG A SIZE