



Chipsmall Limited consists of a professional team with an average of over 10 year of expertise in the distribution of electronic components. Based in Hongkong, we have already established firm and mutual-benefit business relationships with customers from,Europe,America and south Asia,supplying obsolete and hard-to-find components to meet their specific needs.

With the principle of “Quality Parts,Customers Priority,Honest Operation,and Considerate Service”,our business mainly focus on the distribution of electronic components. Line cards we deal with include Microchip,ALPS,ROHM,Xilinx,Pulse,ON,Everlight and Freescale. Main products comprise IC,Modules,Potentiometer,IC Socket,Relay,Connector.Our parts cover such applications as commercial,industrial, and automotives areas.

We are looking forward to setting up business relationship with you and hope to provide you with the best service and solution. Let us make a better world for our industry!



Contact us

Tel: +86-755-8981 8866 Fax: +86-755-8427 6832

Email & Skype: info@chipsmall.com Web: www.chipsmall.com

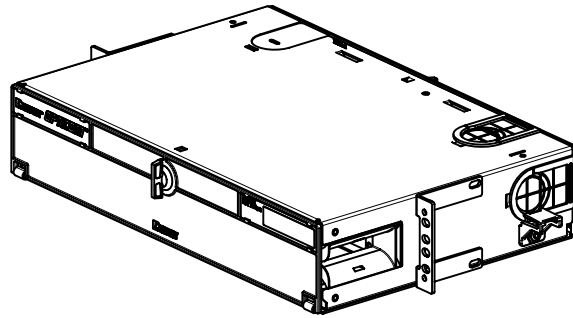
Address: A1208, Overseas Decoration Building, #122 Zhenhua RD., Futian, Shenzhen, China



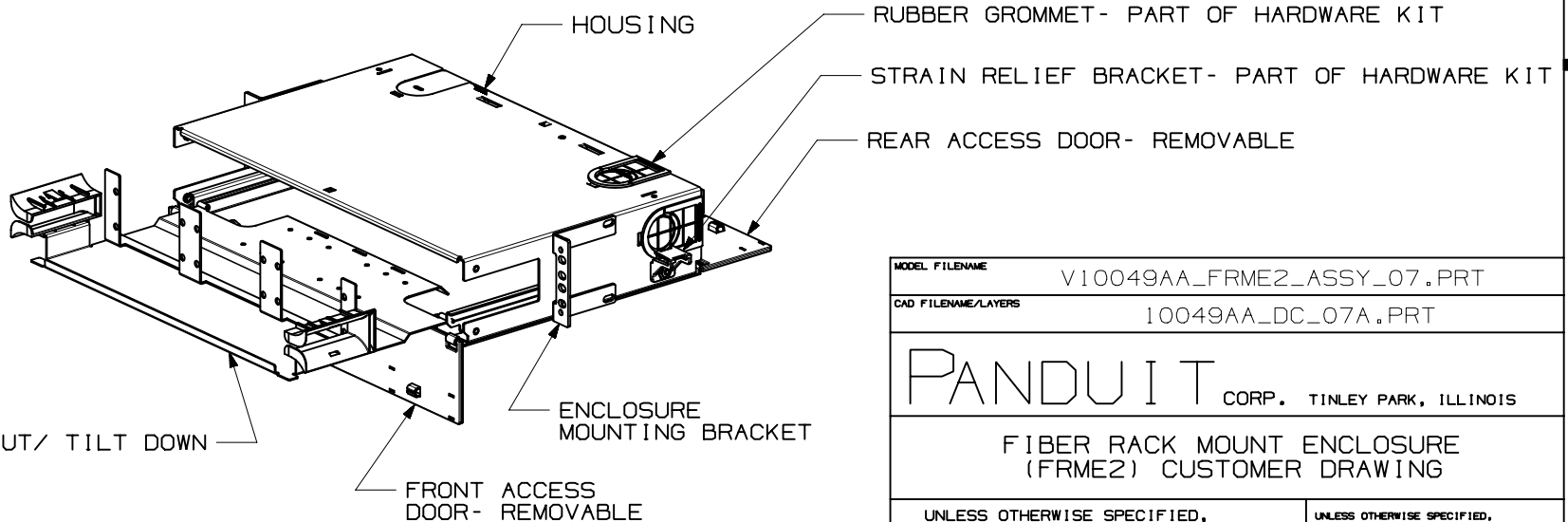
THIS COPY IS PROVIDED ON A RESTRICTED BASIS AND IS NOT TO BE USED IN ANY WAY DETRIMENTAL TO THE INTERESTS OF PANDUIT CORP.

NOTES:

1. VISIT OUR ON-LINE CATALOG AT WWW.PANDUIT.COM FOR A CURRENT LIST OF PARTS APPLICABLE FOR USE WITH THIS PART.
2. DIMENSIONS IN PARENTHESES ARE IN METRIC.
3. ENCLOSURE CAN BE MOUNTED ON A 19" OR 23" STANDARD EIA RACK.
4. ENCLOSURE IS PAINTED BLACK
5. ENCLOSURE IS SUPPLIED WITH (1) HARDWARE KIT AND PORT I.D. LABEL.
6. PART CAN HOLD UP TO 6 FAPS.



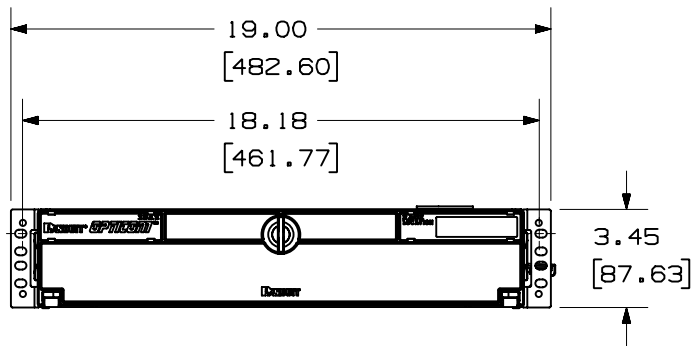
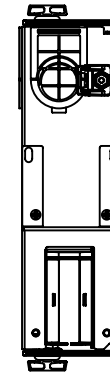
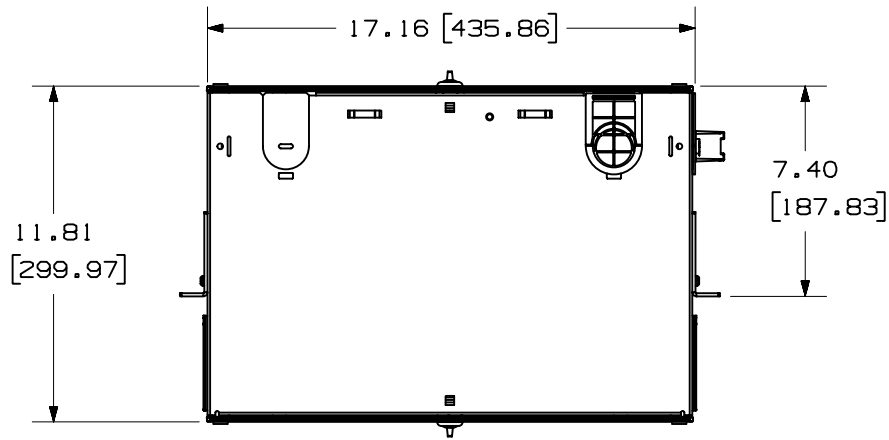
PANDUIT P/N	WEIGHT
FRME2	12.9 LB/EA 5851.3 G/EA



MODEL FILENAME		V10049AA_FRME2_ASSY_07.PRT	
CAD FILENAME/LAYERS		10049AA_DC_07A.PRT	
<h1>PANDUIT</h1> CORP. TINLEY PARK, ILLINOIS			
FIBER RACK MOUNT ENCLOSURE (FRME2) CUSTOMER DRAWING			
UNLESS OTHERWISE SPECIFIED, DIMENSIONAL TOLERANCES ARE:		UNLESS OTHERWISE SPECIFIED, ALL DIMENSIONS ARE GIVEN IN INCHES, THIRD ANGLE PROJECTION.	
(.X) ± (.XXX) ±		(.XX) ±.03 (.8) ANGLES ±	
DRAWN BY	JDWE	MAT'L:	STEEL
DATE	2-8-02	ENCLOSURE - FRONT COVER -	PC
CHK'D	AFW	REAR COVER -	ABS
SCALE		1/6	
DRAWING NO.			DWG
10049-48			A
SHEET 1 OF 2			SIZE

2	5-16-05	JDWE		SEE SHEET 2 OF 2 FOR REVISIONS	10049-48					
1	2-8-02	JDWE	AFW	SEE SHEET 2 OF 2 FOR REVISIONS	10049-48	JWI				
R	2-8-02	JDWE	AFW	SEE SHEET 2 OF 2 FOR REVISIONS	10049-48	JWI				
REV	DATE	BY	CHK	DESCRIPTION	ECN	R	CUST	SUP	OTH	

THIS COPY IS PROVIDED ON A RESTRICTED BASIS AND IS NOT TO BE USED IN ANY WAY DETRIMENTAL TO THE INTERESTS OF PANDUIT CORP.



MODEL FILENAME V10049AA_FRME2_ASSY_07.PRT

CAD FILENAME/LAYERS V10049AA_DC_07A.PRT

PANDUIT CORP. TINLEY PARK, ILLINOIS

FIBER RACK MOUNT ENCLOSURE, 36 PORT (FRME2) CUSTOMER DRAWING

UNLESS OTHERWISE SPECIFIED, DIMENSIONAL TOLERANCES ARE:
 (.X) ± (.XXX) ±
 (.XX) ±.03 (.8) ANGLES ±

UNLESS OTHERWISE SPECIFIED, ALL DIMENSIONS ARE GIVEN IN INCHES, THIRD ANGLE PROJECTION.

REV	DATE	BY	CHK	DESCRIPTION	ECN	R	CUST	SUP	OTH
2	5-16-05	JDWE		B. UPDATED GEOMETRY	10049-48				
1	3-12-02	JDWE	AFW	A. CHANGED SHEET NUMBERS.	10049-48	JWI			
R	2-8-02	JDWE	AFW	RELEASED TO PRODUCTION	10049-48	JWI			

DRAWN BY JDWE
 DATE 2-8-02
 CHK'D AFW

MAT'L:
 SEE NOTES

SCALE 1:6
 DRAWING NO. 10049-48
 SHEET 2 OF 2
 DWG SIZE A