



Chipsmall Limited consists of a professional team with an average of over 10 year of expertise in the distribution of electronic components. Based in Hongkong, we have already established firm and mutual-benefit business relationships with customers from,Europe,America and south Asia,supplying obsolete and hard-to-find components to meet their specific needs.

With the principle of “Quality Parts,Customers Priority,Honest Operation,and Considerate Service”,our business mainly focus on the distribution of electronic components. Line cards we deal with include Microchip,ALPS,ROHM,Xilinx,Pulse,ON,Everlight and Freescale. Main products comprise IC,Modules,Potentiometer,IC Socket,Relay,Connector.Our parts cover such applications as commercial,industrial, and automotives areas.

We are looking forward to setting up business relationship with you and hope to provide you with the best service and solution. Let us make a better world for our industry!



Contact us

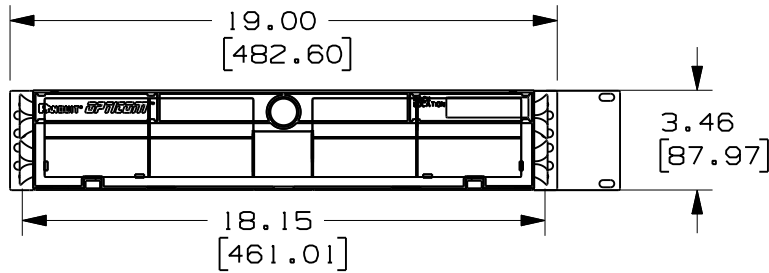
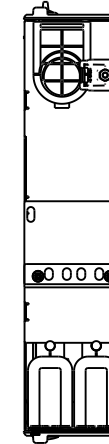
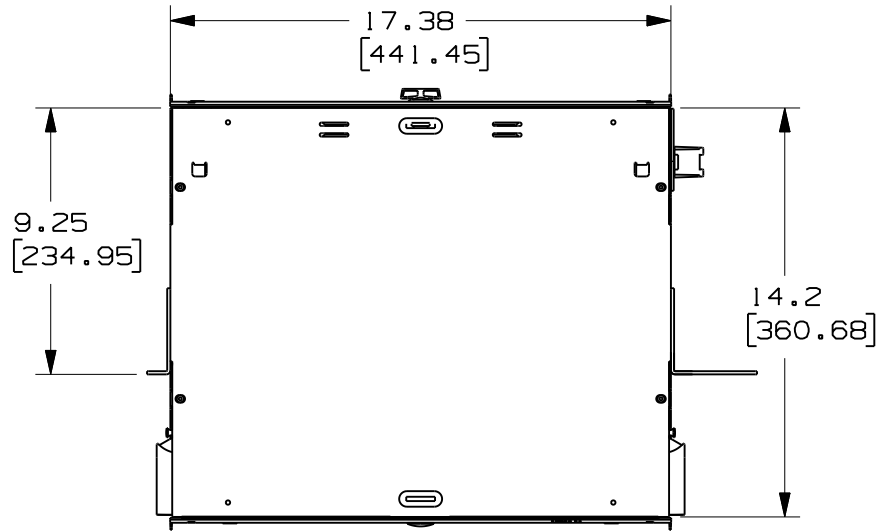
Tel: +86-755-8981 8866 Fax: +86-755-8427 6832

Email & Skype: info@chipsmall.com Web: www.chipsmall.com

Address: A1208, Overseas Decoration Building, #122 Zhenhua RD., Futian, Shenzhen, China



THIS COPY IS PROVIDED ON A RESTRICTED BASIS AND IS NOT TO BE USED IN ANY WAY DETRIMENTAL TO THE INTERESTS OF PANDUIT CORP.



MODEL FILENAME V10510AC_FRME2_MAIN_ASSY_15.PRT

CAD FILENAME/LAYERS V10510AC_DC_15A.PRT

PANDUIT CORP. TINLEY PARK, ILLINOIS

FIBER RACK MOUNT ENCLOSURE
(FRME2U) CUSTOMER DRAWING

UNLESS OTHERWISE SPECIFIED, DIMENSIONAL TOLERANCES ARE:
 INCHES X.X +/- 0.03 X.XX +/- 0.015 X.XXX +/- 0.005
 [METRIC - MILLIMETER] X.X +/- 0.8 X.XX +/- 0.4 X.XX +/- 0.13
 ANGLE +/- 1°

UNLESS OTHERWISE SPECIFIED,
 ALL DIMENSIONS ARE GIVEN
 IN INCHES, THIRD ANGLE PROJECTION.

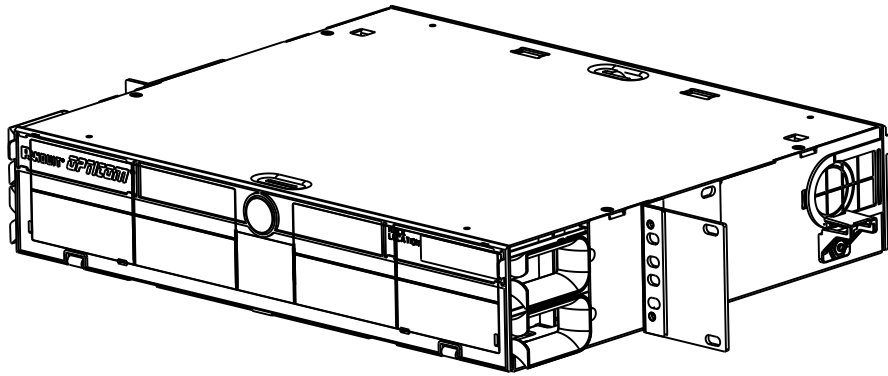
REV	DATE	BY	CHK	DESCRIPTION	ECN	R	CUST	SUP	OTH
02	5/26/09	JLG		SEE SHEET 1 OF 2 FOR REVISIONS	10510-11				
01	3/19/09	JLG	WJM	SEE SHEET 1 OF 2 FOR REVISIONS	10510-11				
00	11/12/07	JLG	WJM	SEE SHEET 1 OF 2 FOR REVISIONS	10510-11				

DRAWN BY JDWE
 DATE 11/12/07
 CHK'D WJM

MAT'L: SEE NOTES

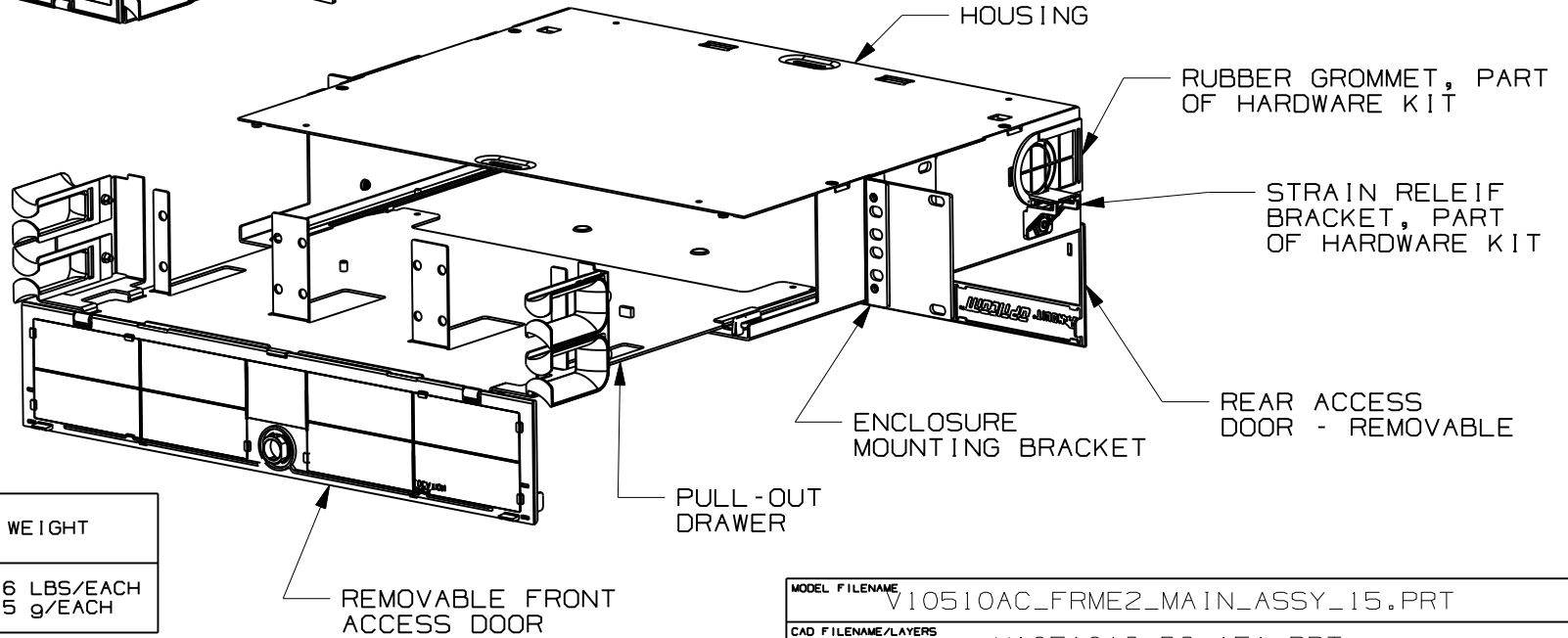
SCALE NONE
 DRAWING NO. 10510-11
 SHT 2 OF 2
 DWG A SIZE

THIS COPY IS PROVIDED ON A RESTRICTED BASIS AND IS NOT TO BE USED IN ANY WAY DETRIMENTAL TO THE INTERESTS OF PANDUIT CORP.



NOTES:

1. SEE CATALOG FOR COMPLETE LIST OF PARTS APPLICABLE FOR USE WITH THIS PART.
2. DIMENSIONS IN PARENTHESIS ARE METRIC.
3. ENCLOSURE CAN BE MOUNTED ON A 19" OR 23" STANDARD EIA RACK.
4. COMPLETE ENCLOSURE IS MADE FROM 16 GAUGE GALVANNEALED STEEL.
5. ENCLOSURE IS PAINTED BLACK.
6. ENCLOSURE IS SUPPLIED WITH (1) HARDWARE KIT AND PORT I.D. LABEL.
7. PART CAN HOLD UP TO 6 FAPS.



PANDUIT PART NO.	WEIGHT
FRME2U	12.6 LBS/EACH 5715 g/EACH

MODEL FILENAME V10510AC_FRME2_MAIN_ASSY_15.PRT

CAD FILENAME/LAYERS V10510AC_DC_15A.PRT

PANDUIT CORP. TINLEY PARK, ILLINOIS

FIBER RACK MOUNT ENCLOSURE (FRME2U) CUSTOMER DRAWING

UNLESS OTHERWISE SPECIFIED, DIMENSIONAL TOLERANCES ARE:
 INCHES X.X +/- 0.03 X.XX +/- 0.015 X.XXX +/- 0.005
 [METRIC - MILLIMETER] X.X +/- 0.8 X.X +/- 0.4 X.XX +/- 0.13
 ANGLE +/- 1°

UNLESS OTHERWISE SPECIFIED, ALL DIMENSIONS ARE GIVEN IN INCHES, THIRD ANGLE PROJECTION.

REV	DATE	BY	CHK	DESCRIPTION	ECN	R	CUST	SUP	OTH
02	5/26/09	JLG		REVISED FOR CURRENT VERSION	10510-11				
01	3/19/09	JLG	WJM	REVISED FOR CURRENT VERSION	10510-11				
00	11/12/07	JLG	WJM	RELEASED TO PRODUCTION	10510-11				

DRAWN BY JLG
 DATE 11/12/07
 CHK'D WJM

MAT'L: SEE NOTES

SCALE NONE
 DRAWING NO. 10510-11
 SHT 1 OF 2
 DWG A SIZE