



Chipsmall Limited consists of a professional team with an average of over 10 year of expertise in the distribution of electronic components. Based in Hongkong, we have already established firm and mutual-benefit business relationships with customers from,Europe,America and south Asia,supplying obsolete and hard-to-find components to meet their specific needs.

With the principle of “Quality Parts,Customers Priority,Honest Operation,and Considerate Service”,our business mainly focus on the distribution of electronic components. Line cards we deal with include Microchip,ALPS,ROHM,Xilinx,Pulse,ON,Everlight and Freescale. Main products comprise IC,Modules,Potentiometer,IC Socket,Relay,Connector.Our parts cover such applications as commercial,industrial, and automotives areas.

We are looking forward to setting up business relationship with you and hope to provide you with the best service and solution. Let us make a better world for our industry!



Contact us

Tel: +86-755-8981 8866 Fax: +86-755-8427 6832

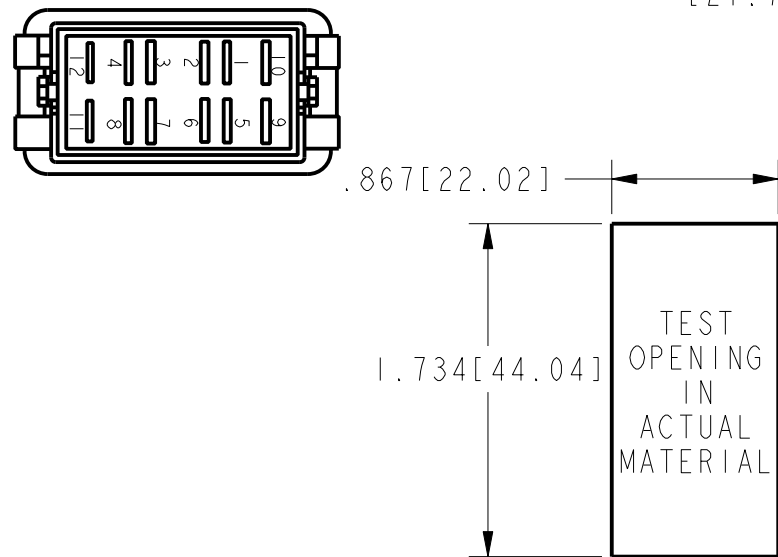
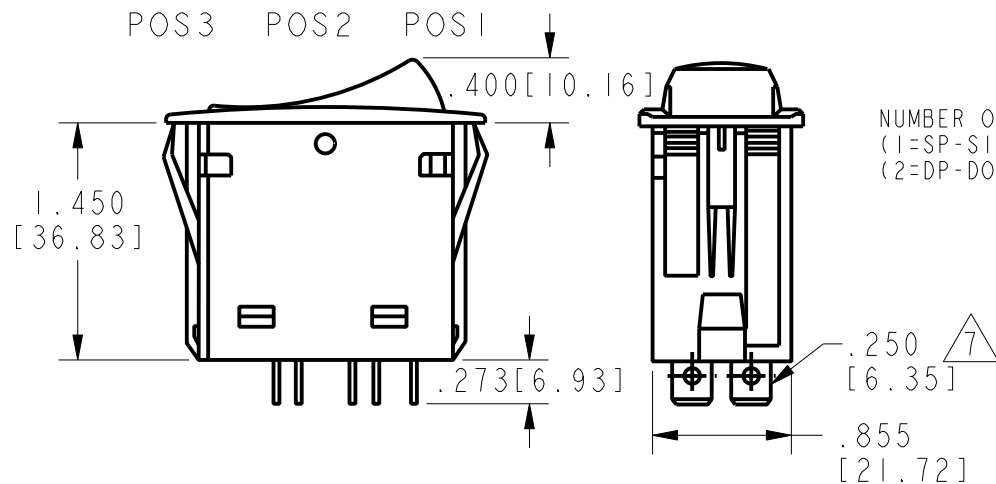
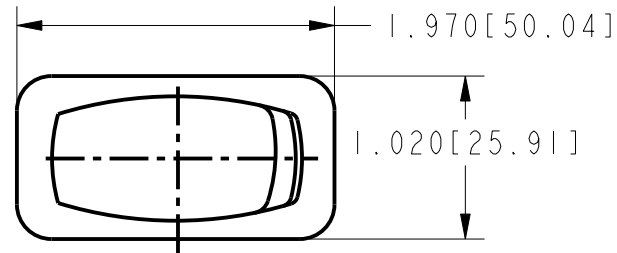
Email & Skype: info@chipsmall.com Web: www.chipsmall.com

Address: A1208, Overseas Decoration Building, #122 Zhenhua RD., Futian, Shenzhen, China



HONEYWELL
PART NUMBER
4

REV	DOCUMENT	CHANGED BY	CHECK
A	0016296	LKM 24OCT05	VA



ACTUATOR COLOR (B=BLACK, G=GRAY, R=RED, W=WHITE)

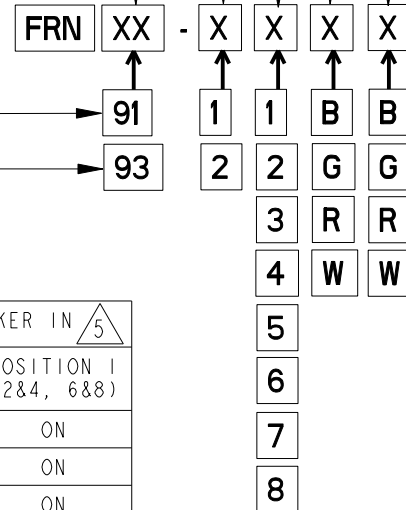
CIRCUITRY (SEE TABLE)

BASE/BEZEL COLOR (B=BLACK, G=GRAY, R=RED, W=WHITE)

NUMBER OF POLES
(1=SP-SINGLE POLE, USES TERMINAL 1-2-4)
(2=DP-DOUBLE POLE, USES TERMINALS 1-2-4 AND 5-6-8)

TERMINAL STYLE 7

.250 [6.35] WIDE QUICK CONNECT TABS 7
.187 [4.76] WIDE QUICK CONNECT TABS 7



	CIRCUIT MADE WITH ROCKER IN 5		
	POSITION 3 (1&2, 5&6)	POSITION 2	POSITION 1 (2&4, 6&8)
1	ON	OFF	ON
2	OFF	NONE	ON
3	ON	NONE	ON
4	(OFF)	NONE	ON
5	(ON)	OFF	ON
6	OFF	NONE	(ON)
7	(ON)	OFF	(ON)
8	(ON)	NONE	ON

ELECTRICAL RATING & APPROVALS 7	
FOR .250 WIDE TABS: 20A, 12V FOR .187 WIDE TABS: 15A, 12V	

NOTES

- 1 - OPERATING TEMPERATURE RANGE: -40°F TO +185°F (-40°C TO +85°C)
- 2 - ELECTRICAL LIFE: 50,000 CYCLES MOMENTARY, 100,000 CYCLES MAINTAINED.
- 3 - MECHANICAL LIFE: 250,000 CYCLES MIN
- 4 - SEE DIAGRAM FOR CATALOGING SCHEME
- 5 - PARENTHESIS DENOTE MOMENTARY ACTION
- 6 - SEALED TO IP67
- 7 - TERMINAL WIDTH AND ELECTRICAL RATING DEPENDENT ON STYLE SELECTED

DESIGN UNITS: INCH	DRAWN	CR	13 JUN 05
TOLERANCES UNLESS NOTED:	CHECK	RJ	13 JUN 05
NO PLACE X ± 0.040	THIS DRAWING COVERS A PROPRIETARY ITEM AND IS THE PROPERTY OF HONEYWELL. THIS DRAWING IS NOT TO BE COPIED OR USED WITHOUT THE PERMISSION OF HONEYWELL.		
ONE PLACE .X ± 0.030			
TWO PLACE .XX ± 0.015			
THREE PLACE .XXX ± 0.015			
FOUR PLACE .XXXX ± 0.005			
ANGLES X ± 2	INTERPRET PER ASME Y14.5M-1994 OTHER HONEYWELL ENGINEERING STANDARDS MAY APPLY		
THIRD ANGLE PROJECTION			

DRAWN		CR	13 JUN 05
CHECK		RJ	13 JUN 05
THIS DRAWING COVERS A PROPRIETARY ITEM AND IS THE PROPERTY OF HONEYWELL. THIS DRAWING IS NOT TO BE COPIED OR USED WITHOUT THE PERMISSION OF HONEYWELL.			
INTERPRET PER ASME Y14.5M-1994 OTHER HONEYWELL ENGINEERING STANDARDS MAY APPLY			
Pro/ENGINEER		2D	

Honeywell			
TITLE SWITCH, ROCKER			
SIZE	TYPE	DRAWING NAME	REV
B	I	FRN SERIES CHART 1	A
SCALE	NTS	SHEET	1 OF 1