



Chipsmall Limited consists of a professional team with an average of over 10 year of expertise in the distribution of electronic components. Based in Hongkong, we have already established firm and mutual-benefit business relationships with customers from,Europe,America and south Asia,supplying obsolete and hard-to-find components to meet their specific needs.

With the principle of “Quality Parts,Customers Priority,Honest Operation,and Considerate Service”,our business mainly focus on the distribution of electronic components. Line cards we deal with include Microchip,ALPS,ROHM,Xilinx,Pulse,ON,Everlight and Freescale. Main products comprise IC,Modules,Potentiometer,IC Socket,Relay,Connector.Our parts cover such applications as commercial,industrial, and automotives areas.

We are looking forward to setting up business relationship with you and hope to provide you with the best service and solution. Let us make a better world for our industry!



Contact us

Tel: +86-755-8981 8866 Fax: +86-755-8427 6832

Email & Skype: info@chipsmall.com Web: www.chipsmall.com

Address: A1208, Overseas Decoration Building, #122 Zhenhua RD., Futian, Shenzhen, China



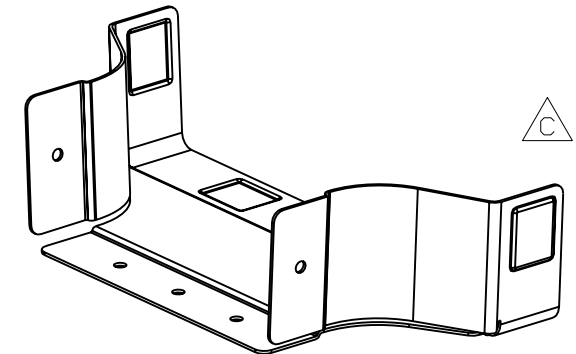
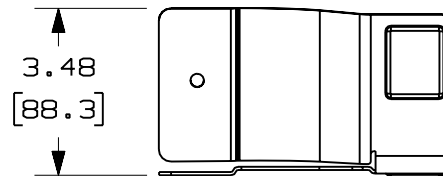
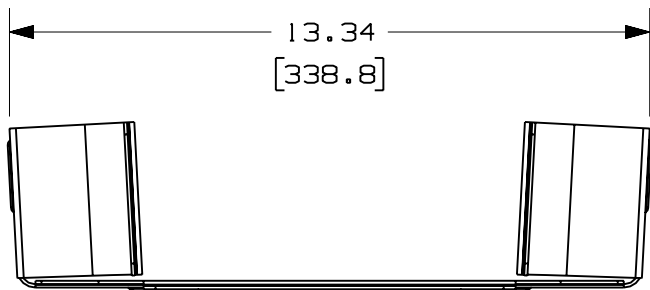
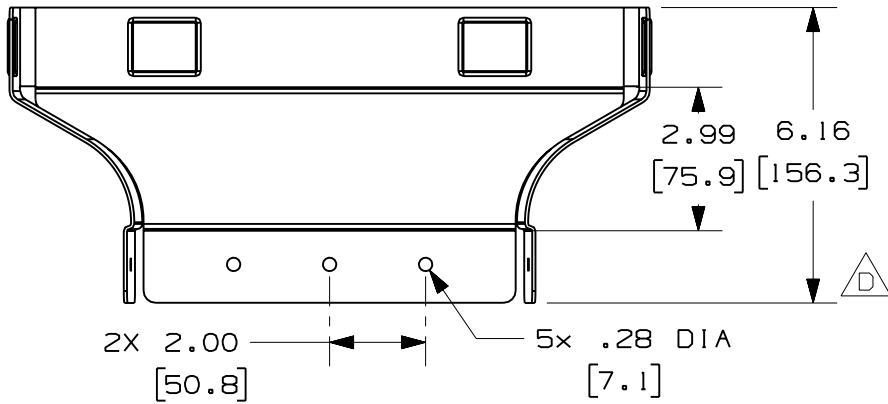
THIS COPY IS PROVIDED ON A RESTRICTED BASIS AND IS NOT TO BE USED IN ANY WAY DETRIMENTAL TO THE INTERESTS OF PANDUIT CORP.

PANDUIT PART NUMBER	WEIGHT
FRNWT128	1.77 LB/EACH (803g/EACH)



NOTES:

- SEE CURRENT CATALOG FOR ADDITIONAL PART SUFFIXES TO INDICATE PACKAGE QUANTITY.
- THE FIBERRUNNER 12x4 TO NEWTON 4x8 FIBER CABLE MANAGEMENT SYSTEM ADAPTER ATTACHES TO THE NEWTON 4x8 SOLID AND/OR SLOTTED WALL CHANNEL USING THE SUPPLIED HARDWARE LISTED BELOW. THE ADAPTER ACCEPTS THE FIBERRUNNER 12x4 QUIKLOCK COUPLER WHICH THEN ALLOWS FOR THE ATTACHMENT OF THE FIBERRUNNER 12x4 CABLE ROUTING SYSTEM.
- THE FIBERRUNNER 12x4 TO NEWTON 4x8 FIBER CABLE MANAGEMENT SYSTEM ADAPTER INCLUDES:
ONE (1) ADAPTER,
FIVE (5) 1/4-20x5/8" NYLON COMBINATION BINDING HEAD MACHINE SCREWS,
FIVE (5) 1/4-20 NYLON DECO WING NUTS.
- FINISH COLOR: BLACK
- DIMENSIONS IN PARENTHESIS ARE IN METRIC.



ENG. REF.: D38957BF_DC_FRNWT128_02.prt

CAD FILENAME/LAYERS: FRNWT128.pdf

3	7-12-06	MSO	RN	F. REVISED PART WEIGHT E. REVISED DRAWING TITLE.	38957-07	RN	RN					
-	-----	---	---	D. REVISED GENERAL NOTE NUMBER 3.	-----	--	--					
2	5-3-05	MSO	RPA	C. REVISED PART GEOMETRY. B. REVISED DRAWING TITLE.	38957-07	RN	RN					
1	1-17-05	MSO	RPA	A. REVISED DRAWING TITLE.	38957-07	RN	RN					
R	11-17-04	MSO	RPA	RELEASED TO PRODUCTION	38957-07	RN	RN					
REV	DATE	BY	CHK	DESCRIPTION	ECN	R	CUST	SUP	GMBH			

PANDUIT CORP TINLEY PARK, ILLINOIS

FIBERRUNNER 12x4 TO NEWTON 4x8 FIBER CABLE MANAGEMENT SYSTEM ADAPTER (FRNWT128)

CUSTOMER DRAWING

UNLESS OTHERWISE SPECIFIED, DIMENSIONAL TOLERANCES ARE:
 (.X) ± (.XXX) ±
 (.XX) ± .03 (.8) ANGLES ±

UNLESS OTHERWISE SPECIFIED, ALL DIMENSIONS ARE GIVEN IN INCHES, THIRD ANGLE PROJECTION.

DRAWN BY: MSO
 DATE: 11-17-04
 CHK'D: RPA

MAT'L: STEEL

SCALE: NONE

DRAWING NO.: 38957-07
 DWG SIZE: A