



Chipsmall Limited consists of a professional team with an average of over 10 year of expertise in the distribution of electronic components. Based in Hongkong, we have already established firm and mutual-benefit business relationships with customers from,Europe,America and south Asia,supplying obsolete and hard-to-find components to meet their specific needs.

With the principle of “Quality Parts,Customers Priority,Honest Operation,and Considerate Service”,our business mainly focus on the distribution of electronic components. Line cards we deal with include Microchip,ALPS,ROHM,Xilinx,Pulse,ON,Everlight and Freescale. Main products comprise IC,Modules,Potentiometer,IC Socket,Relay,Connector.Our parts cover such applications as commercial,industrial, and automotives areas.

We are looking forward to setting up business relationship with you and hope to provide you with the best service and solution. Let us make a better world for our industry!



Contact us

Tel: +86-755-8981 8866 Fax: +86-755-8427 6832

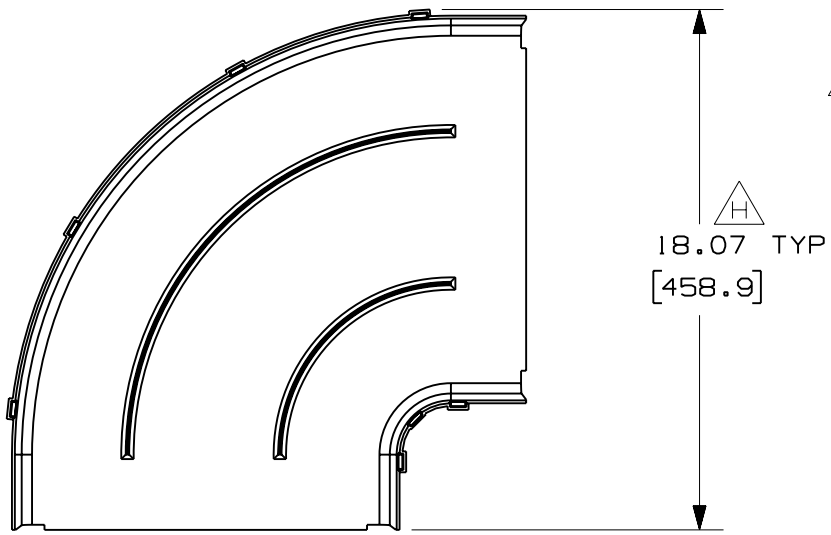
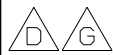
Email & Skype: info@chipsmall.com Web: www.chipsmall.com

Address: A1208, Overseas Decoration Building, #122 Zhenhua RD., Futian, Shenzhen, China



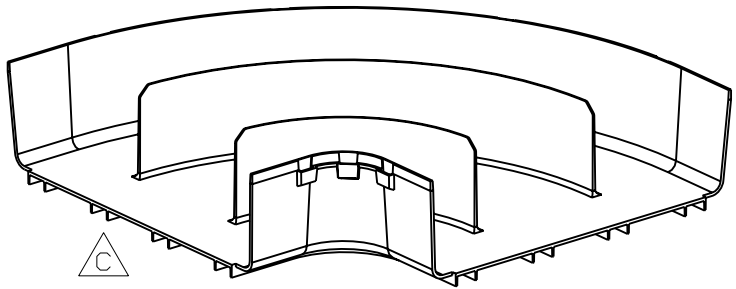
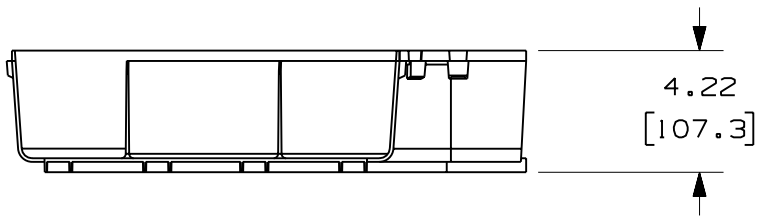
THIS COPY IS PROVIDED ON A RESTRICTED BASIS AND IS NOT TO BE USED IN ANY WAY DETRIMENTAL TO THE INTERESTS OF PANDUIT CORP.

PANDUIT P/N	WEIGHT
FRRA12X4	2.75 LB/EACH 1247g/EACH



NOTES:

1. SEE CURRENT CATALOG FOR ADDITIONAL PART SUFFIXES TO INDICATE COLOR AND/OR PACKAGE QUANTITY.
2. THE FIBERRUNNER 12x4 HORIZONTAL RIGHT ANGLE FITTING IS DESIGNED WITH A MINIMUM 2" (50.8) BEND RADIUS TO PROTECT FIBER OPTIC CABLES.
3. DIMENSIONS IN PARENTHESIS ARE IN METRIC.



ENG. REF.: D37617BL_DC_FRRA12X4_02.prt

CAD FILENAME/LAYERS: **FRRA12X4.pdf**

REV	DATE	BY	CHK	DESCRIPTION	ECN	R	CUST	SUP	GMBH
-	-----	---	--	H. REVISED DIMENSION G. REVISED PART WEIGHT	-----	--	--		
3	7-12-06	DTP	RN	F. REVISED GENERAL NOTES E. REVISED DRAWING TITLE	37617-62	RN	RN		
2	6-25-04	MSO	SMF	D. REVISED PART WEIGHT; WAS 2.29 LB.	37617-62	RN	RN		
-	-----	---	---	C. REVISED PART GEOMETRY.	-----	--	--		
1	3-26-04	MSO	SMF	B. REVISED DRAWING TITLE. A. REVISED CAD FILENAME.	37617-62	RN	RN		
R	12-28-00	JHNU	SMF	RELEASED TO PRODUCTION	37617-62	HIW	HIW		

PANDUIT CORP TINLEY PARK, ILLINOIS	
FIBERRUNNER 12x4 HORIZONTAL RIGHT ANGLE FITTING (FRRA12X4) CUSTOMER DRAWING	
UNLESS OTHERWISE SPECIFIED, DIMENSIONAL TOLERANCES ARE: (.X) ± (.XXX) ± (.XX) ± .03 (.8) ANGLES ±	UNLESS OTHERWISE SPECIFIED, ALL DIMENSIONS ARE GIVEN IN INCHES, THIRD ANGLE PROJECTION.
DRAWN BY: JHNU DATE: 12-28-00 CHK'D: HIW	MAT'L: ABS SCALE: NONE DRAWING NO.: 37617-62 DWG SIZE: A