



Chipsmall Limited consists of a professional team with an average of over 10 year of expertise in the distribution of electronic components. Based in Hongkong, we have already established firm and mutual-benefit business relationships with customers from,Europe,America and south Asia,supplying obsolete and hard-to-find components to meet their specific needs.

With the principle of “Quality Parts,Customers Priority,Honest Operation,and Considerate Service”,our business mainly focus on the distribution of electronic components. Line cards we deal with include Microchip,ALPS,ROHM,Xilinx,Pulse,ON,Everlight and Freescale. Main products comprise IC,Modules,Potentiometer,IC Socket,Relay,Connector.Our parts cover such applications as commercial,industrial, and automotives areas.

We are looking forward to setting up business relationship with you and hope to provide you with the best service and solution. Let us make a better world for our industry!



## Contact us

Tel: +86-755-8981 8866 Fax: +86-755-8427 6832

Email & Skype: info@chipsmall.com Web: www.chipsmall.com

Address: A1208, Overseas Decoration Building, #122 Zhenhua RD., Futian, Shenzhen, China



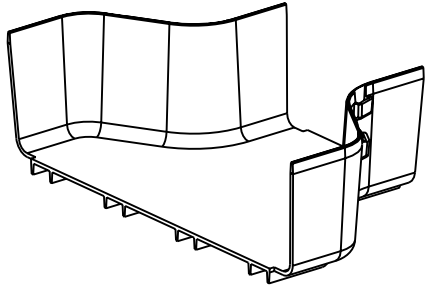
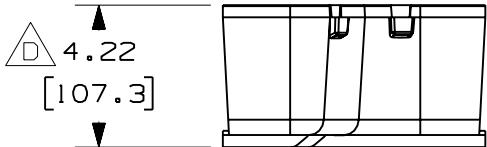
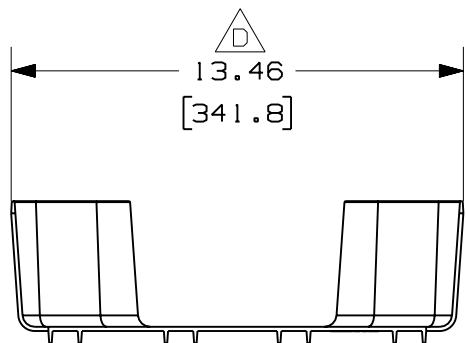
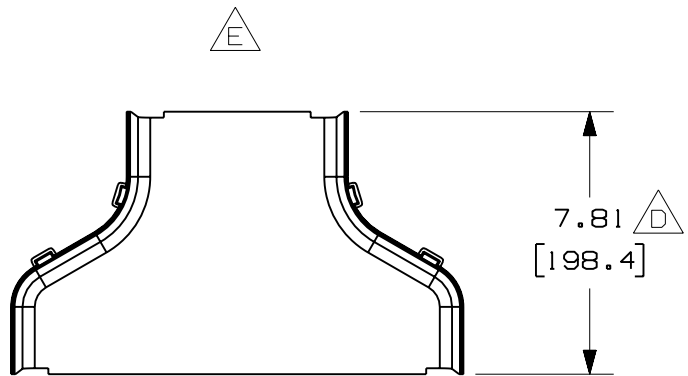
THIS COPY IS PROVIDED ON A RESTRICTED BASIS AND IS NOT TO BE USED IN ANY WAY DETRIMENTAL TO THE INTERESTS OF PANDUIT CORP.

|                     |                             |
|---------------------|-----------------------------|
| PANDUIT PART NUMBER | WEIGHT                      |
| FRRF 126            | 0.82 LB/EACH<br>(374g/EACH) |



**F** NOTES:

1. SEE CURRENT CATALOG FOR ADDITIONAL PART SUFFIXES TO INDICATE COLOR AND/OR PACKAGE QUANTITY.
2. THE FIBERRUNNER 12x4 TO FIBERRUNNER 6x4 REDUCER IS DESIGNED WITH A MINIMUM 2" (50.8) BEND RADIUS TO PROTECT FIBER OPTIC CABLES.
3. DIMENSIONS IN PARENTHESES ARE IN METRIC.



ENG. REF.: D37617B1\_DC\_FRRF126\_01.prt

CAD FILENAME/LAYERS **B** FRRF126.pdf

**PANDUIT** CORP TINLEY PARK, ILLINOIS  
**FIBERRUNNER 12x4 TO FIBERRUNNER 6x4 REDUCER (FRRF126)**  
**CUSTOMER DRAWING**

|   |               |   |           |
|---|---------------|---|-----------|
| UNLESS OTHERWISE SPECIFIED, DIMENSIONAL TOLERANCES ARE:<br>(.X) ± (.XXX) ±<br>(.XX) ± .03 (.8) ANGLES ± |               | UNLESS OTHERWISE SPECIFIED, ALL DIMENSIONS ARE GIVEN IN INCHES, THIRD ANGLE PROJECTION. |           |
| DRAWN BY<br>JHNU  | MAT'L:<br>ABS | SCALE<br>NONE   | DWG<br>A  |
| DATE<br>12-29-00  |               | DRAWING NO.<br>37617-67   | SIZE<br>A |
| CHK'D<br>HIW  |               |   |           |

|     |          |      |     |   |          |     |      |     |      |  |
|-----|----------|------|-----|---|----------|-----|------|-----|------|--|
|     |          |      |     |   |          |     |      |     |      |  |
| -   | -----    | ---  | --- | F. REVISED GENERAL NOTES<br>E. REMOVED DIMENSION    | -----    | --  | --   |     |      |  |
| -   | -----    | ---  | --- | D. RELOCATED DIMENSIONS<br>C. REVISED PART WEIGHT   | -----    | --  | --   |     |      |  |
| 1   | 7-13-06  | DTP  | RN  | B. REVISED CAD FILENAME<br>A. REVISED DRAWING TITLE | 37617-67 | RN  | RN   |     |      |  |
| R   | 12-29-00 | JHNU | CEO | RELEASED TO PRODUCTION                              | 37617-67 | HIW | HIW  |     |      |  |
| REV | DATE     | BY   | CHK | DESCRIPTION   | ECN      | R   | CUST | SUP | GMBH |  |