



Chipsmall Limited consists of a professional team with an average of over 10 year of expertise in the distribution of electronic components. Based in Hongkong, we have already established firm and mutual-benefit business relationships with customers from,Europe,America and south Asia,supplying obsolete and hard-to-find components to meet their specific needs.

With the principle of “Quality Parts,Customers Priority,Honest Operation,and Considerate Service”,our business mainly focus on the distribution of electronic components. Line cards we deal with include Microchip,ALPS,ROHM,Xilinx,Pulse,ON,Everlight and Freescale. Main products comprise IC,Modules,Potentiometer,IC Socket,Relay,Connector.Our parts cover such applications as commercial,industrial, and automotives areas.

We are looking forward to setting up business relationship with you and hope to provide you with the best service and solution. Let us make a better world for our industry!



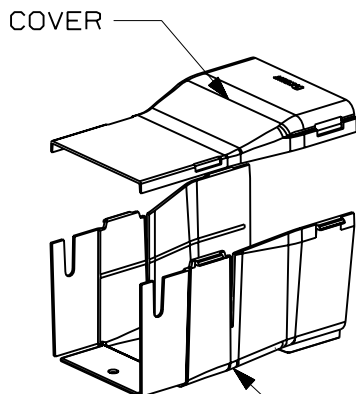
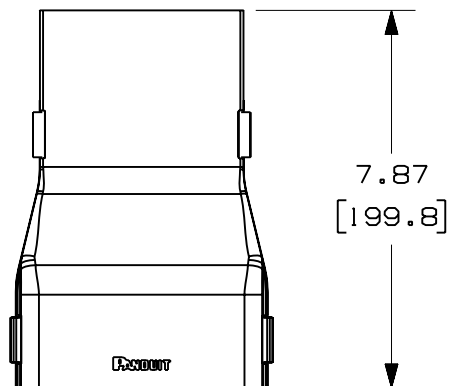
Contact us

Tel: +86-755-8981 8866 Fax: +86-755-8427 6832

Email & Skype: info@chipsmall.com Web: www.chipsmall.com

Address: A1208, Overseas Decoration Building, #122 Zhenhua RD., Futian, Shenzhen, China





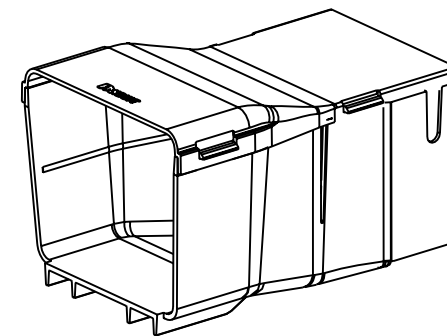
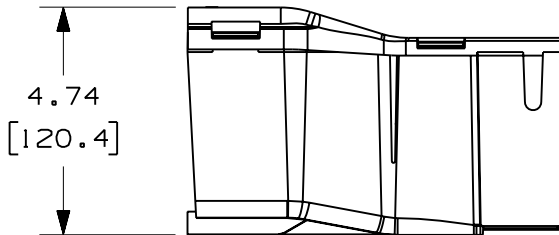
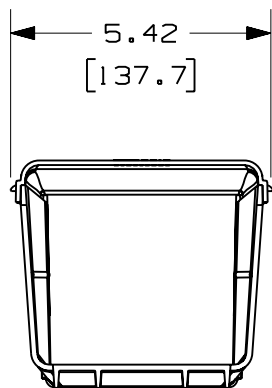
NOTES:

1. SEE CURRENT CATALOG FOR ADDITIONAL PART SUFFIXES TO INDICATE COLOR AND/OR PACKAGE QUANTITY.
2. DIMENSIONS IN PARENTHESES ARE IN METRIC.

PANDUIT PART NUMBER	WEIGHT
FRRF4FD4	0.58 LB/EACH (265g/EACH)



BASE
PART ROTATED 180° TO
SHOW FIBER-DUCT 4x4
MOUNTING LOCATIONS



ENG. REF.: D37847DF_DC_FRRF4FD4_01.prt

CAD FILENAME/LAYERS

FRRF4FD4.pdf

PANDUIT CORP TINLEY PARK, ILLINOIS
**FIBERRUNNER 4x4 TO FIBER-DUCT
 4x4 REDUCER (FRRF4FD4)**
 CUSTOMER DRAWING

UNLESS OTHERWISE SPECIFIED,
 DIMENSIONAL TOLERANCES ARE:
 (.X) ± (.XXX) ±
 (.XX) ± .03 (.8) ANGLES ±

UNLESS OTHERWISE SPECIFIED,
 ALL DIMENSIONS ARE GIVEN IN
 INCHES, THIRD ANGLE PROJECTION.

-	-----	---	---	D. REVISED PART WEIGHT	-----	--	--						
2	7-13-06	DTP	RN	C. REVISED CAD FILENAME B. REVISED AND REDRAWN	37847-73	RN	RN						
REV	DATE	BY	CHK	DESCRIPTION	ECN	R	CUST	SUP	GMBH				

DRAWN BY: JHNU
 DATE: 7-19-01
 CHK'D: DJWA

MAT'L: ABS

SCALE: NONE
 DRAWING NO.: 37847-73
 DWG SIZE: A