



Chipsmall Limited consists of a professional team with an average of over 10 year of expertise in the distribution of electronic components. Based in Hongkong, we have already established firm and mutual-benefit business relationships with customers from,Europe,America and south Asia,supplying obsolete and hard-to-find components to meet their specific needs.

With the principle of “Quality Parts,Customers Priority,Honest Operation,and Considerate Service”,our business mainly focus on the distribution of electronic components. Line cards we deal with include Microchip,ALPS,ROHM,Xilinx,Pulse,ON,Everlight and Freescale. Main products comprise IC,Modules,Potentiometer,IC Socket,Relay,Connector.Our parts cover such applications as commercial,industrial, and automotives areas.

We are looking forward to setting up business relationship with you and hope to provide you with the best service and solution. Let us make a better world for our industry!



Contact us

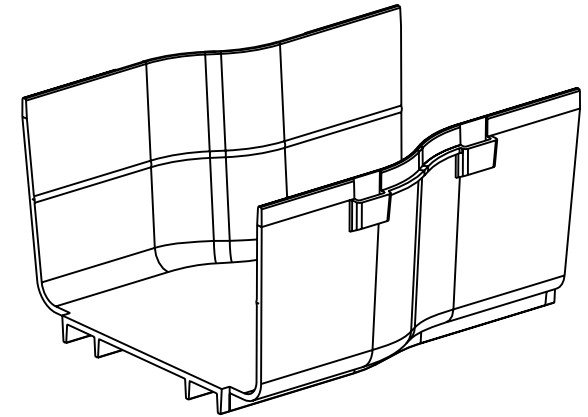
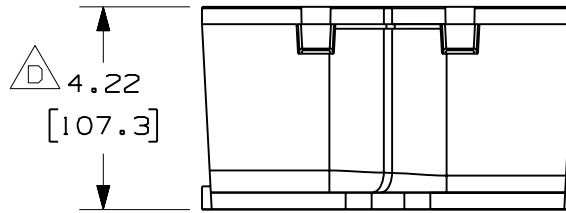
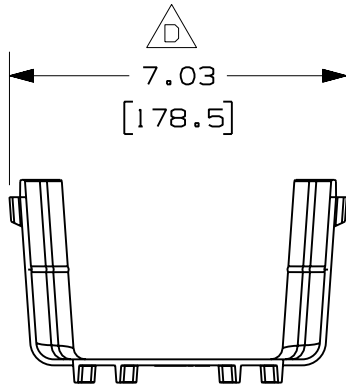
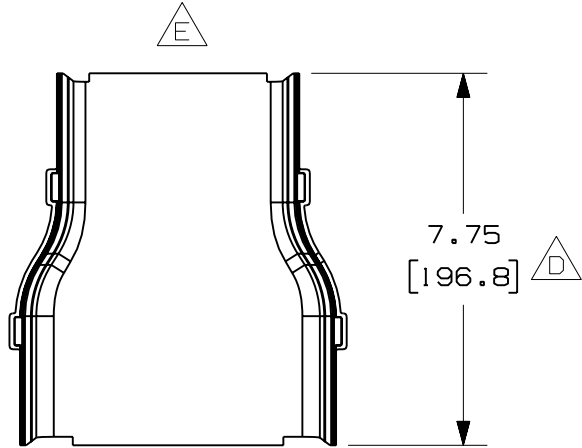
Tel: +86-755-8981 8866 Fax: +86-755-8427 6832

Email & Skype: info@chipsmall.com Web: www.chipsmall.com

Address: A1208, Overseas Decoration Building, #122 Zhenhua RD., Futian, Shenzhen, China



THIS COPY IS PROVIDED ON A RESTRICTED BASIS AND IS NOT TO BE USED IN ANY WAY DETRIMENTAL TO THE INTERESTS OF PANDUIT CORP.



PANDUIT PART NUMBER	WEIGHT
FRRF6FR4	0.57 LB/EACH (259g/EACH)



NOTES:

1. SEE CURRENT CATALOG FOR ADDITIONAL PART SUFFIXES TO INDICATE COLOR AND/OR PACKAGE QUANTITY.
2. THE FIBERRUNNER 6x4 TO FIBERRUNNER 4x4 REDUCER IS DESIGNED WITH A MINIMUM 2" (50.8) BEND RADIUS TO PROTECT FIBER OPTIC CABLES.
3. DIMENSIONS IN PARENTHESES ARE IN METRIC.

ENG. REF.: D37847BY_DC_FRRF6FR4_01.prt

CAD FILENAME/LAYERS

B FRRF6FR4.pdf

PANDUIT CORP TINLEY PARK, ILLINOIS
FIBERRUNNER 6x4 TO FIBERRUNNER 4x4 REDUCER (FRRF6FR4)
 CUSTOMER DRAWING

UNLESS OTHERWISE SPECIFIED,
 DIMENSIONAL TOLERANCES ARE:
 (.X) ± (.XXX) ±
 (.XX) ± .03 (.8) ANGLES ±

UNLESS OTHERWISE SPECIFIED,
 ALL DIMENSIONS ARE GIVEN IN
 INCHES, THIRD ANGLE PROJECTION.

REV	DATE	BY	CHK	DESCRIPTION	ECN	R	CUST	SUP	GMBH
-	-----	---	---	F. REVISED GENERAL NOTES E. REMOVED DIMENSION	-----	--	--		
-	-----	---	---	D. RELOCATED DIMENSIONS C. REVISED PART WEIGHT	-----	--	--		
1	7-13-06	DTP	RN	B. REVISED CAD FILENAME A. REVISED DRAWING TITLE	37847-69	RN	RN		
R	7-18-01	JHNU	SMF	RELEASED TO PRODUCTION	37847-69	HIW	HIW		

DRAWN BY: JHNU
 DATE: 7-18-01
 CHK'D: HIW

MAT'L: ABS

SCALE: NONE
 DRAWING NO.: 37847-69
 DWG SIZE: A