



Chipsmall Limited consists of a professional team with an average of over 10 year of expertise in the distribution of electronic components. Based in Hongkong, we have already established firm and mutual-benefit business relationships with customers from,Europe,America and south Asia,supplying obsolete and hard-to-find components to meet their specific needs.

With the principle of “Quality Parts,Customers Priority,Honest Operation,and Considerate Service”,our business mainly focus on the distribution of electronic components. Line cards we deal with include Microchip,ALPS,ROHM,Xilinx,Pulse,ON,Everlight and Freescale. Main products comprise IC,Modules,Potentiometer,IC Socket,Relay,Connector.Our parts cover such applications as commercial,industrial, and automotives areas.

We are looking forward to setting up business relationship with you and hope to provide you with the best service and solution. Let us make a better world for our industry!



Contact us

Tel: +86-755-8981 8866 Fax: +86-755-8427 6832

Email & Skype: info@chipsmall.com Web: www.chipsmall.com

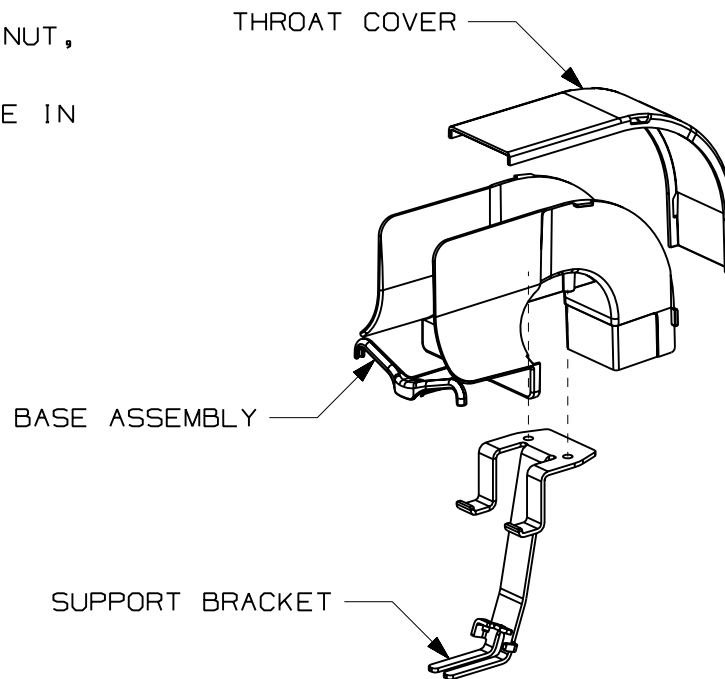
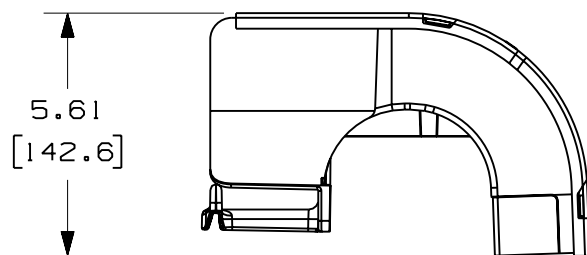
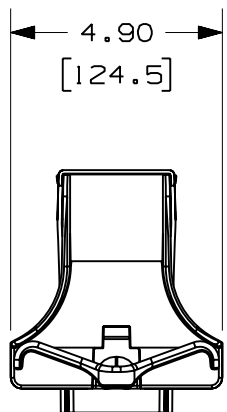
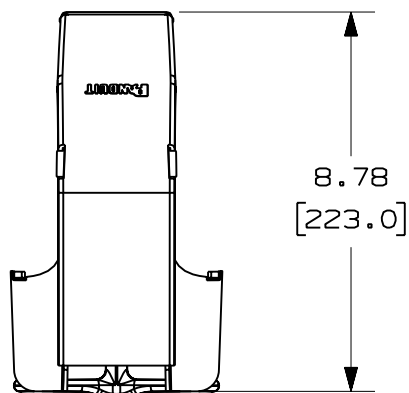
Address: A1208, Overseas Decoration Building, #122 Zhenhua RD., Futian, Shenzhen, China



NOTES:

- SEE CURRENT CATALOG FOR ADDITIONAL PART SUFFIXES TO INDICATE COLOR AND/OR PACKAGE QUANTITY.
- THE FIBERRUNNER SPILL-OVER JUNCTION WITH 2x2 EXIT INCLUDES:
 ONE (1) BASE ASSEMBLY,
 ONE (1) THROAT COVER,
 ONE (1) SUPPORT BRACKET,
 ONE (1) 1/4-20 T-BOLT,
 ONE (1) 1/4-20 HEX KEPS LOCK NUT,
 TWO (2) 1/4-14x1/2 HEX WASHER HEAD TAPPING SCREWS
- DIMENSIONS IN PARENTHESES ARE IN METRIC.

PANDUIT PART NUMBER	WEIGHT
FRSPJ2X2	1.16 LB/EACH (526g/EACH)



ENG. REF.: D39851BV_DC/00 FRSPJ2X2.prt

CAD FILENAME/LAYERS: FRSPJ2X2.pdf

REV	DATE	BY	CHK	DESCRIPTION	ECN	R	CUST	SUP	GMBH
R	7-6-09	MSO	EB	RELEASED TO PRODUCTION	39851-19	RN	RN		

PANDUIT CORP TINLEY PARK, ILLINOIS
 FIBERRUNNER SPILL-OVER JUNCTION WITH 2x2 EXIT (FRSPJ2X2)
 CUSTOMER DRAWING

UNLESS OTHERWISE SPECIFIED, DIMENSIONAL TOLERANCES ARE: (.X) ± (.XXX) ± (.XX) ± .03 (.8) ANGLES ±		UNLESS OTHERWISE SPECIFIED, ALL DIMENSIONS ARE GIVEN IN INCHES, THIRD ANGLE PROJECTION.	
DRAWN BY: MSO	MAT'L: ABS/STEEL	SCALE: NONE	DWG: A
DATE: 7-6-09		DRAWING NO.: 39851-19	SIZE: A
CHK'D: EB			