



Chipsmall Limited consists of a professional team with an average of over 10 year of expertise in the distribution of electronic components. Based in Hongkong, we have already established firm and mutual-benefit business relationships with customers from,Europe,America and south Asia,supplying obsolete and hard-to-find components to meet their specific needs.

With the principle of “Quality Parts,Customers Priority,Honest Operation,and Considerate Service”,our business mainly focus on the distribution of electronic components. Line cards we deal with include Microchip,ALPS,ROHM,Xilinx,Pulse,ON,Everlight and Freescale. Main products comprise IC,Modules,Potentiometer,IC Socket,Relay,Connector.Our parts cover such applications as commercial,industrial, and automotives areas.

We are looking forward to setting up business relationship with you and hope to provide you with the best service and solution. Let us make a better world for our industry!



Contact us

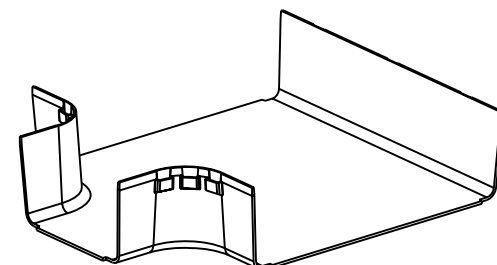
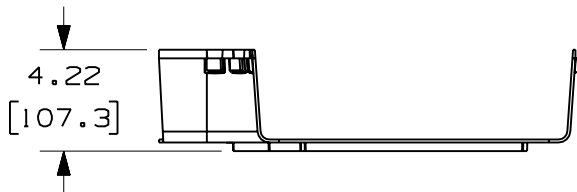
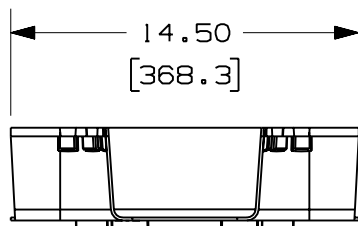
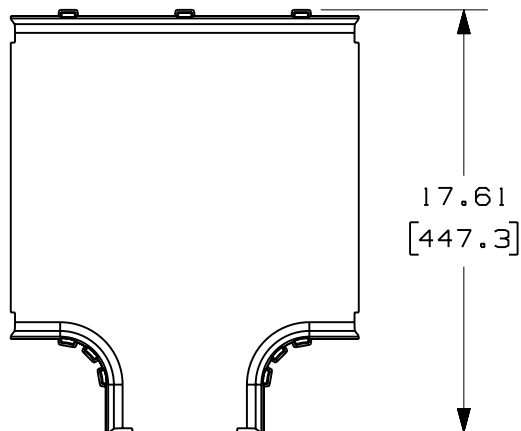
Tel: +86-755-8981 8866 Fax: +86-755-8427 6832

Email & Skype: info@chipsmall.com Web: www.chipsmall.com

Address: A1208, Overseas Decoration Building, #122 Zhenhua RD., Futian, Shenzhen, China



A



PANDUIT PART NUMBER	WEIGHT
FRT12X4W6	1.85 LB/EACH (838g/EACH)

D

NOTES:

1. SEE CURRENT CATALOG FOR ADDITIONAL PART SUFFIXES TO INDICATE COLOR AND/OR PACKAGE QUANTITY.
2. THE FIBERRUNNER 12x4 HORIZONTAL TEE FITTING WITH 6" EXIT IS DESIGNED WITH A MINIMUM 2" (50.8) BEND RADIUS TO PROTECT FIBER OPTIC CABLES.
3. DIMENSIONS IN PARENTHESES ARE IN METRIC.

ENG. REF.: D37617CM_DC_FRT12X4W6_01.prt

CAD FILENAME/LAYERS B FRT12X4W6.pdf

REV	DATE	BY	CHK	DESCRIPTION	ECN	R	CUST	SUP	GMBH
-	-----	---	---	D. REVISED PART WEIGHT C. REVISED GENERAL NOTES	-----	--	--		
1	7-14-06	DTP	RN	B. REVISED CAD FILENAME A. REVISED AND REDRAWN	37617-60	RN	RN		

PANDUIT

CORP TINLEY PARK, ILLINOIS

FIBERRUNNER 12x4 HORIZONTAL TEE FITTING WITH 6" EXIT (FRT12X4W6)

CUSTOMER DRAWING

UNLESS OTHERWISE SPECIFIED,
DIMENSIONAL TOLERANCES ARE:
(.X) ± (.XXX) ±
(.XX) ± .03 (.8) ANGLES ±

UNLESS OTHERWISE SPECIFIED,
ALL DIMENSIONS ARE GIVEN IN
INCHES, THIRD ANGLE PROJECTION.

DRAWN BY JHNU	MAT'L: ABS	SCALE NONE
DATE 12-28-00		DRAWING NO. 37617-60
CHK'D HIW		DWG A SIZE