



Chipsmall Limited consists of a professional team with an average of over 10 year of expertise in the distribution of electronic components. Based in Hongkong, we have already established firm and mutual-benefit business relationships with customers from,Europe,America and south Asia,supplying obsolete and hard-to-find components to meet their specific needs.

With the principle of “Quality Parts,Customers Priority,Honest Operation,and Considerate Service”,our business mainly focus on the distribution of electronic components. Line cards we deal with include Microchip,ALPS,ROHM,Xilinx,Pulse,ON,Everlight and Freescale. Main products comprise IC,Modules,Potentiometer,IC Socket,Relay,Connector.Our parts cover such applications as commercial,industrial, and automotives areas.

We are looking forward to setting up business relationship with you and hope to provide you with the best service and solution. Let us make a better world for our industry!



Contact us

Tel: +86-755-8981 8866 Fax: +86-755-8427 6832

Email & Skype: info@chipsmall.com Web: www.chipsmall.com

Address: A1208, Overseas Decoration Building, #122 Zhenhua RD., Futian, Shenzhen, China

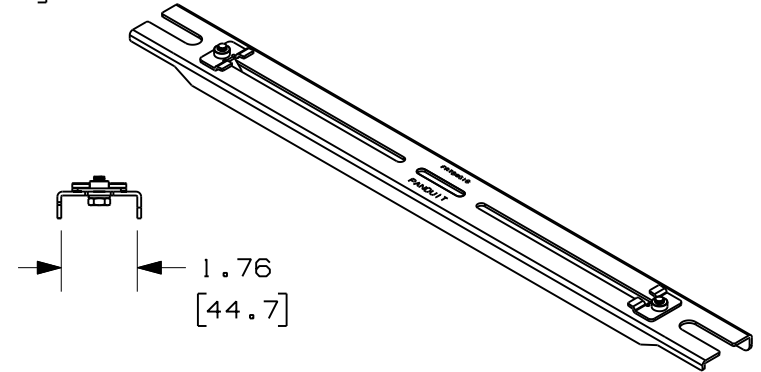
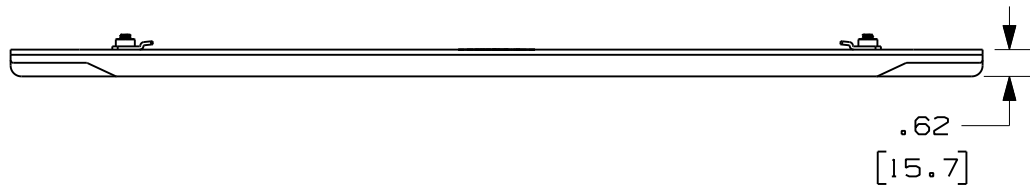
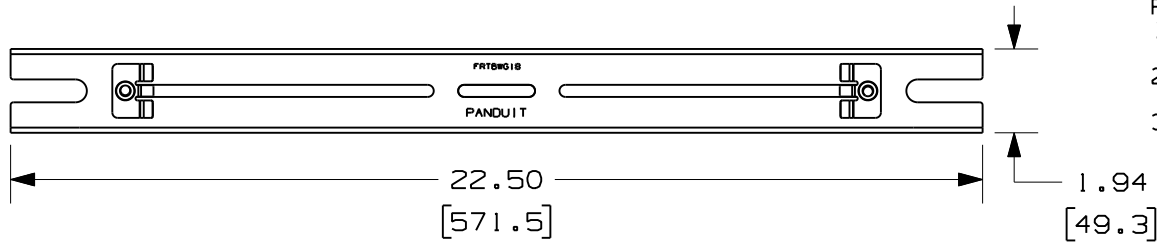


THIS COPY IS PROVIDED ON A RESTRICTED BASIS AND IS NOT TO BE USED IN ANY WAY DETRIMENTAL TO THE INTERESTS OF PANDUIT CORP.

PANDUIT PART NUMBER	WEIGHT
FRTBWG18	1.45 LBS/EACH (657.7 g/EACH)

NOTES:

- PANDUIT PART NUMBER FRTBWG18 INCLUDES:
 1. ONE (1) FIBERRUNNER TRAPEZE BRACKET FOR WYR-GRID 18" PATHWAY
 2. TWO (2) FIBERRUNNER TRAPEZE BRACKET WYR-GRID CLIP ASSEMBLY.
 3. DIMENSIONS IN PARENTHESES ARE METRIC.



CAD FILENAME/LAYERS 10D165AB_DC/00A (FRTBWG18)

PANDUIT CORP. TINLEY PARK, ILLINOIS

FIBERRUNNER TRAPEZE BRACKET FOR WYR-GRID 18" PATHWAY (FRTBWG18)
 CUSTOMER DRAWING

UNLESS OTHERWISE SPECIFIED, DIMENSIONAL TOLERANCES ARE:

(.X) ± (.XXX) ±
 (.XX) ± .01 (.3) ANGLES ±

UNLESS OTHERWISE SPECIFIED, ALL DIMENSIONS ARE GIVEN IN INCHES, THIRD ANGLE PROJECTION.

DRAWN BY JAHA

MAT'L:

SCALE NONE

REV	DATE	BY	CHK	DESCRIPTION	ECN	CHK	CUST	SUP
R	8-3-10	JAHA	EB	RELEASED TO PRODUCTION	10D165AB-DC	RN	RN	

DATE 8-3-10
 CHK'D EB

SEE NOTES ABOVE

DRAWING NO. 10D165AB-DC

DWG SIZE A