



Chipsmall Limited consists of a professional team with an average of over 10 year of expertise in the distribution of electronic components. Based in Hongkong, we have already established firm and mutual-benefit business relationships with customers from,Europe,America and south Asia,supplying obsolete and hard-to-find components to meet their specific needs.

With the principle of “Quality Parts,Customers Priority,Honest Operation,and Considerate Service”,our business mainly focus on the distribution of electronic components. Line cards we deal with include Microchip,ALPS,ROHM,Xilinx,Pulse,ON,Everlight and Freescale. Main products comprise IC,Modules,Potentiometer,IC Socket,Relay,Connector.Our parts cover such applications as commercial,industrial, and automotives areas.

We are looking forward to setting up business relationship with you and hope to provide you with the best service and solution. Let us make a better world for our industry!



Contact us

Tel: +86-755-8981 8866 Fax: +86-755-8427 6832

Email & Skype: info@chipsmall.com Web: www.chipsmall.com

Address: A1208, Overseas Decoration Building, #122 Zhenhua RD., Futian, Shenzhen, China

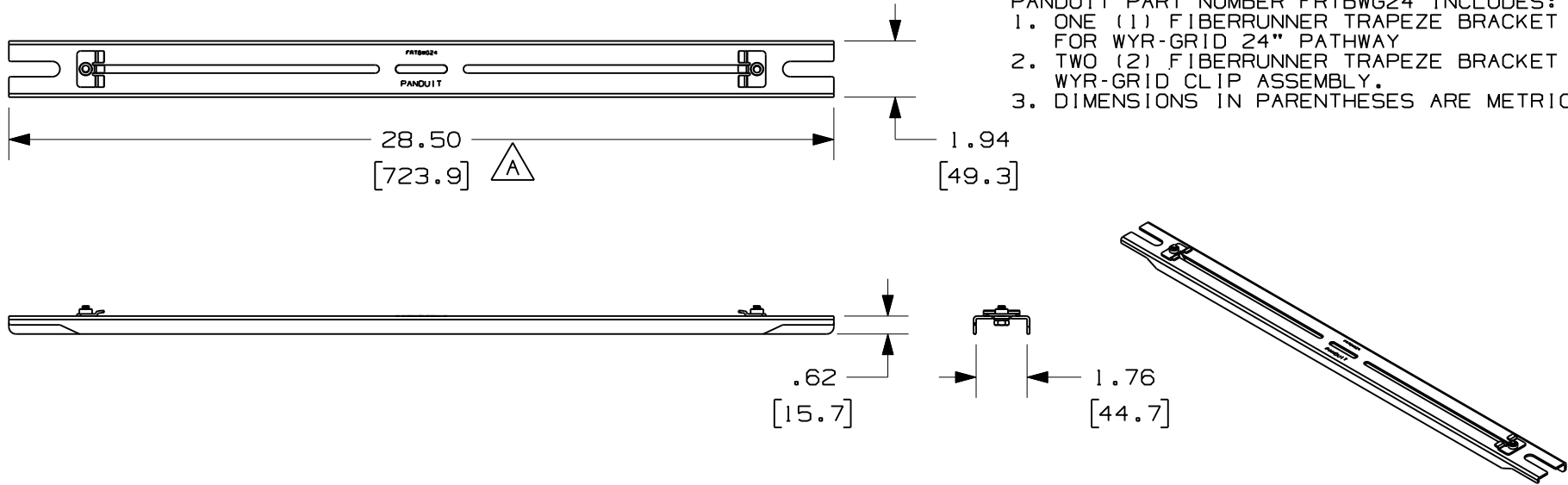


THIS COPY IS PROVIDED ON A RESTRICTED BASIS AND IS NOT TO BE USED IN ANY WAY DETRIMENTAL TO THE INTERESTS OF PANDUIT CORP.

PANDUIT PART NUMBER	WEIGHT
FRTBWG24	1.95 LBS/EACH (884.5 g/EACH)

NOTES:

- PANDUIT PART NUMBER FRTBWG24 INCLUDES:
 1. ONE (1) FIBERRUNNER TRAPEZE BRACKET FOR WYR-GRID 24" PATHWAY
 2. TWO (2) FIBERRUNNER TRAPEZE BRACKET WYR-GRID CLIP ASSEMBLY.
 3. DIMENSIONS IN PARENTHESES ARE METRIC.



CAD FILENAME/LAYERS 10D165AC_DC/02A (FRTBWG24)

PANDUIT CORP. TINLEY PARK, ILLINOIS

FIBERRUNNER TRAPEZE BRACKET FOR WYR-GRID 24" PATHWAY ASSEMBLY (FRTBWG24)
 CUSTOMER DRAWING

UNLESS OTHERWISE SPECIFIED, DIMENSIONAL TOLERANCES ARE:
 (.X) ± (.XXX) ±
 (.XX) ± .01 (.3) ANGLES ±

UNLESS OTHERWISE SPECIFIED, ALL DIMENSIONS ARE GIVEN IN INCHES, THIRD ANGLE PROJECTION.

REV	DATE	BY	CHK	DESCRIPTION	ECN	CHK	CUST	SUP	DRAWN BY	MAT'L	SCALE	DRAWING NO.	DWG SIZE
I	8-26-10	JAHA	EB	A. REVISED PART GEOMETRY	10D165AC-DC	RN	RN		JAHA		NONE	10D165AC-DC	A
R	8-3-10	JAHA	EB	RELEASED TO PRODUCTION	10D165AC-DC	RN	RN		DATE	SEE NOTES ABOVE			
									8-3-10				
									CHK'D				
									EB				