



Chipsmall Limited consists of a professional team with an average of over 10 year of expertise in the distribution of electronic components. Based in Hongkong, we have already established firm and mutual-benefit business relationships with customers from,Europe,America and south Asia,supplying obsolete and hard-to-find components to meet their specific needs.

With the principle of "Quality Parts,Customers Priority,Honest Operation,and Considerate Service",our business mainly focus on the distribution of electronic components. Line cards we deal with include Microchip,ALPS,ROHM,Xilinx,Pulse,ON,Everlight and Freescale. Main products comprise IC,Modules,Potentiometer,IC Socket,Relay,Connector.Our parts cover such applications as commercial,industrial, and automotives areas.

We are looking forward to setting up business relationship with you and hope to provide you with the best service and solution. Let us make a better world for our industry!



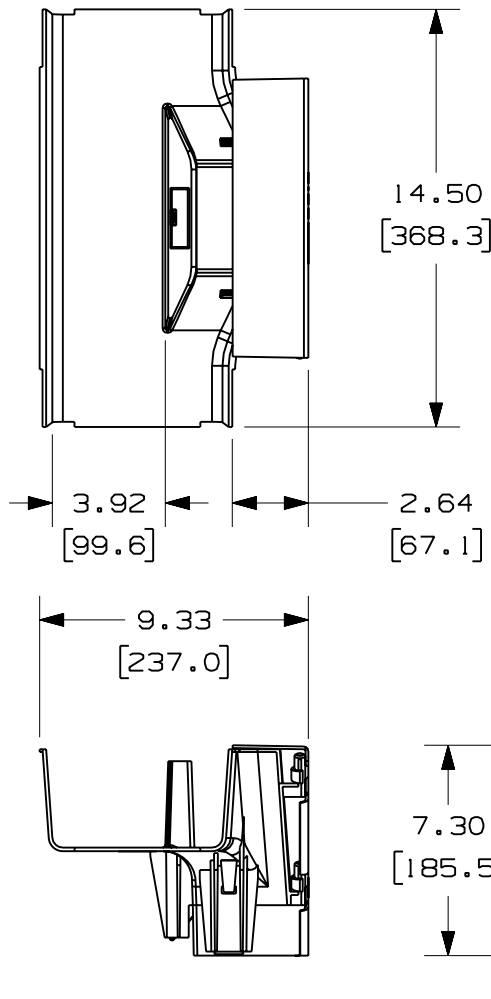
## Contact us

Tel: +86-755-8981 8866 Fax: +86-755-8427 6832

Email & Skype: info@chipsmall.com Web: www.chipsmall.com

Address: A1208, Overseas Decoration Building, #122 Zhenhua RD., Futian, Shenzhen, China





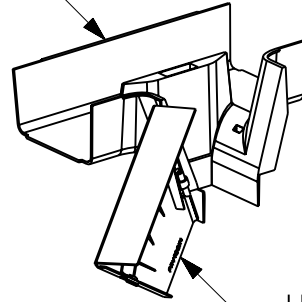
PANDUIT PART NUMBER	WEIGHT
FRVT6X4	2.05 LB/EACH (928g/EACH)



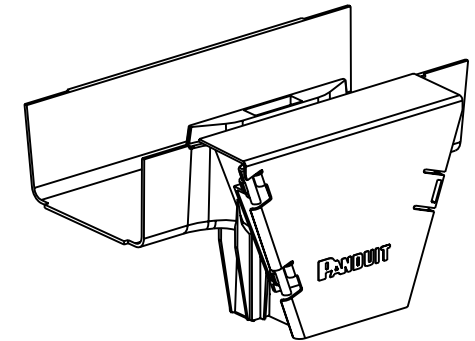
**M** NOTES:

1. SEE CURRENT CATALOG FOR ADDITIONAL PART SUFFIXES TO INDICATE COLOR AND/OR PACKAGE QUANTITY.
2. THE FIBERRUNNER 6x4 QUIKLOCK VERTICAL TEE FITTING INCLUDES:  
ONE (1) QUIKLOCK VERTICAL TEE BASE ASSEMBLY,  
ONE (1) HINGED DOOR
3. DIMENSIONS IN PARENTHESES ARE IN METRIC.

BASE ASSEMBLY



HINGED DOOR



ENG. REF.: D37185ER\_DC\_FRVT6X4\_02.prt

CAD FILENAME/LAYERS

**K** FRVT6X4.pdf

**PANDUIT** CORP TINLEY PARK, ILLINOIS  
**FIBERRUNNER 6x4 QUIKLOCK VERTICAL TEE FITTING (FRVT6X4)**  
 CUSTOMER DRAWING

UNLESS OTHERWISE SPECIFIED,  
DIMENSIONAL TOLERANCES ARE:

(.X) ± (.XXX) ±  
(.XX) ± .03 (.8) ANGLES ±

UNLESS OTHERWISE SPECIFIED,  
ALL DIMENSIONS ARE GIVEN IN  
INCHES, THIRD ANGLE PROJECTION.

DRAWN BY  
**REWE**  
DATE  
**5-1-00**  
CHK'D  
**WAB**

MAT'L:

**ABS**

SCALE  
**NONE**

DRAWING NO.  
**37185-64**

DWG  
**A**  
SIZE

-	-----	---	---	M. REVISED GENERAL NOTES	-----	--	--			
-	-----	---	---	L. REVISED PART WEIGHT K. REVISED CAD FILENAME	-----	--	--			
4	7-24-06	DTP	RN	J. REVISED DRAWING TITLE I. REVISED AND REDRAWN	37185-64	RN	RN			
REV	DATE	BY	CHK	DESCRIPTION	ECN	R	CUST	SUP	GMBH	