



Chipsmall Limited consists of a professional team with an average of over 10 year of expertise in the distribution of electronic components. Based in Hongkong, we have already established firm and mutual-benefit business relationships with customers from,Europe,America and south Asia,supplying obsolete and hard-to-find components to meet their specific needs.

With the principle of “Quality Parts,Customers Priority,Honest Operation,and Considerate Service”,our business mainly focus on the distribution of electronic components. Line cards we deal with include Microchip,ALPS,ROHM,Xilinx,Pulse,ON,Everlight and Freescale. Main products comprise IC,Modules,Potentiometer,IC Socket,Relay,Connector.Our parts cover such applications as commercial,industrial, and automotives areas.

We are looking forward to setting up business relationship with you and hope to provide you with the best service and solution. Let us make a better world for our industry!



Contact us

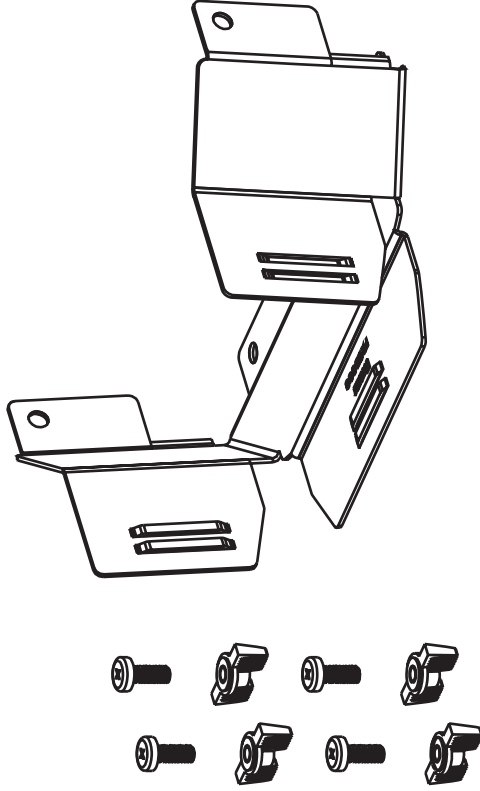
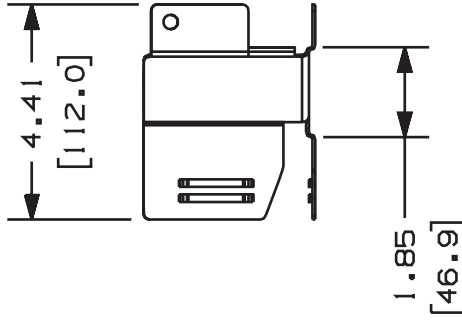
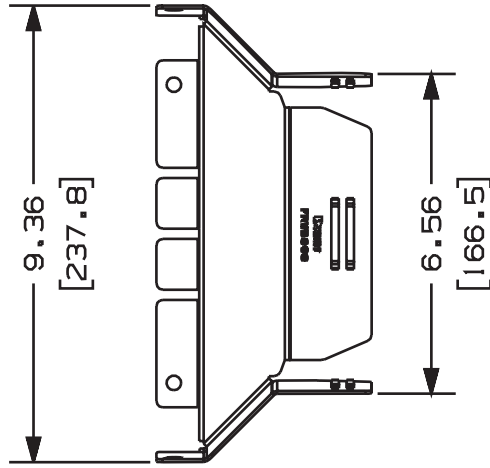
Tel: +86-755-8981 8866 Fax: +86-755-8427 6832

Email & Skype: info@chipsmall.com Web: www.chipsmall.com

Address: A1208, Overseas Decoration Building, #122 Zhenhua RD., Futian, Shenzhen, China



THIS COPY IS PROVIDED ON A RESTRICTED BASIS AND IS NOT TO BE USED IN ANY WAY DETRIMENTAL TO THE INTERESTS OF PANDUIT CORP.



ENG. REF.: D38240BE_DC_FRWBS68_00A.prt

CAD FILENAME/LAYERS

38240-04.pdf

PANDUIT

PANDUIT CORP TINLEY PARK, ILLINOIS

FIBERRUNNER™ 6x4 WARREN & BROWN
LIGHTPATH 8x4 ADAPTER (FRWBS68)
CUSTOMER DRAWING

UNLESS OTHERWISE SPECIFIED:
DIMENSIONAL TOLERANCES ARE:
(.XX) ± .031(.8)
(.XXX) ± .0001
ANGLES ±

UNLESS OTHERWISE SPECIFIED,
ALL DIMENSIONS ARE GIVEN IN
INCHES, THIRD ANGLE PROJECTION.

DRAWN BY MAT.LI

MSO

DATE 1-2-02

CHK'D

SCALE NONE

RELEASED TO PRODUCTION 38240-04

STEEL

DRAWING NO.

38240-04

DWG

A

REV DATE BY CHK DESCRIPTION

ECN R CUST SUP GMBH

1-2-02

MSO

DATE 1-2-02

CHK'D

SCALE NONE

DWG

A

SIZE