



Chipsmall Limited consists of a professional team with an average of over 10 year of expertise in the distribution of electronic components. Based in Hongkong, we have already established firm and mutual-benefit business relationships with customers from,Europe,America and south Asia,supplying obsolete and hard-to-find components to meet their specific needs.

With the principle of “Quality Parts,Customers Priority,Honest Operation,and Considerate Service”,our business mainly focus on the distribution of electronic components. Line cards we deal with include Microchip,ALPS,ROHM,Xilinx,Pulse,ON,Everlight and Freescale. Main products comprise IC,Modules,Potentiometer,IC Socket,Relay,Connector.Our parts cover such applications as commercial,industrial, and automotives areas.

We are looking forward to setting up business relationship with you and hope to provide you with the best service and solution. Let us make a better world for our industry!



Contact us

Tel: +86-755-8981 8866 Fax: +86-755-8427 6832

Email & Skype: info@chipsmall.com Web: www.chipsmall.com

Address: A1208, Overseas Decoration Building, #122 Zhenhua RD., Futian, Shenzhen, China



Pressure Sensors

FS01/FS03 Force Sensors

FS Series

FEATURES

- 0 to 1.5 pounds and 0 to 3.0 pound ranges
- High-level output range
- Temperature compensated
- Calibrated zero and span
- Small size
- Low noise

TYPICAL APPLICATIONS

- Medical infusion pumps
- Ambulatory noninvasive pump pressure
- Occulsion detection
- Kidney dialysis machines
- Load and compression sensing
- Variable tensions control



The FS01/FS03 sensors are special low cost, peizoresistive-based force sensors. These high-level voltage output, calibrated, and temperature compensated sensors give an accurate and stable output over a 5 °C to 50 °C [41 °F to 122 °F] temperature range. They offer simple operation from a single 5.0 Vdc supply. Operation from any DC supply voltage, up to 12.0 Vdc, is acceptable.

The FS01/FS03 sensors feature an integrated circuit sensor element and laser trimmed think film ceramic in a small plastic housing. Their extremely small size enables the use of multiple sensors in limited available space. This package also provides excellent corrosion resistance and isolation to external package stress.

⚠ WARNING

PERSONAL INJURY

DO NOT USE these products as safety or emergency stop devices or in any other application where failure of the product could result in personal injury.

Failure to comply with these instructions could result in death or serious injury.

⚠ WARNING

MISUSE OF DOCUMENTATION

- The information presented in this product sheet is for reference only. Do not use this document as a product installation guide.
- Complete installation, operation, and maintenance information is provided in the instructions supplied with each product.

Failure to comply with these instructions could result in death or serious injury.

Pressure Sensors

FS01/FS03 Force Sensors

FS Series

PRESSURE SENSOR SPECIFICATIONS

| | Max. Ratings |
|---|-----------------|
| Supply voltage, Vs | 12.0 Vdc |
| Maximum over load | 3.18 kg [7 lbs] |
| Lead temperature (soldering 2-4 seconds) | 220 °C [428 °F] |

ENVIRONMENTAL SPECIFICATIONS

| | |
|-------------------------|--------------------------------------|
| Compensated temperature | 5 °C to 50 °C [41 °F to 122 °F] |
| Operating temperature | 0 °C to 70 °C [0 °F to 158 °F] |
| Storage temperature | -20 °C to 85 °C [13 °F to 185 °F] |
| Humidity limits | 0% RH to 95% RH |

STANDARD FORCE RANGES

| Part Number | Operating Force | Maximum Force | Full-Scale Span | | |
|-------------|---------------------------------------|---------------|-----------------|---------|----------|
| | | | Min. | Typ. | Max. |
| FS01 | 0 lbs to 1.5 lbs [0 kg to 0.68 kg] | 7 lbs | 2.85 Vdc | 3.0 Vdc | 3.15 Vdc |
| FS03 | 0 lbs to 3.0 lbs [0 kg to 1.36 kg] | 7 lbs | 2.85 Vdc | 3.0 Vdc | 3.15 Vdc |

PERFORMANCE SPECIFICATIONS

| | Min. | Typ. | Max. | Unit |
|--|------|-------|-------|------|
| Zero force offset | 0.95 | 1.0 | 1.05 | Vdc |
| Full scale span ⁽²⁾ | 2.85 | 3.0 | 3.15 | Vdc |
| Linearity | – | ± 1.0 | ± 3.0 | %FSS |
| Hysteresis ⁽³⁾ | – | ± 0.5 | – | %FSS |
| Temp effect on Span (0 °C to 50 °C [0 °F to 122 °F]) ⁽⁴⁾ | – | ± 1.0 | ± 2.5 | %FSS |
| Temp. effect on Offset (0 °C to 50 °C [0 °F to 122 °F]) ⁽⁴⁾ | – | ± 1.0 | ± 2.5 | %FSS |
| Creep ⁽⁵⁾ | – | 0.5 | – | %FSS |
| Long-term stability of Offset and Span ⁽⁶⁾ | – | ± 1.0 | – | %FSS |

Specification Notes:

Note 1: Reference conditions (unless otherwise noted): Supply voltage, Vs = 5 Vdc; T_A = 25 °C [77 °F]

Note 2: Full-scale Span is the algebraic difference between the output voltage at full-scale load and the output at zero load. Span is ratiometric to the supply voltage.

Note 3: Hysteresis is the maximum output difference at any point within the operating pressure range for increasing and decreasing load.

Note 4: Maximum error band of the offset voltage and the effort band of span, relative to the 25 °C [77 °F] reading.

Note 5: Maximum difference in output at full-scale load in a 20 minute period.

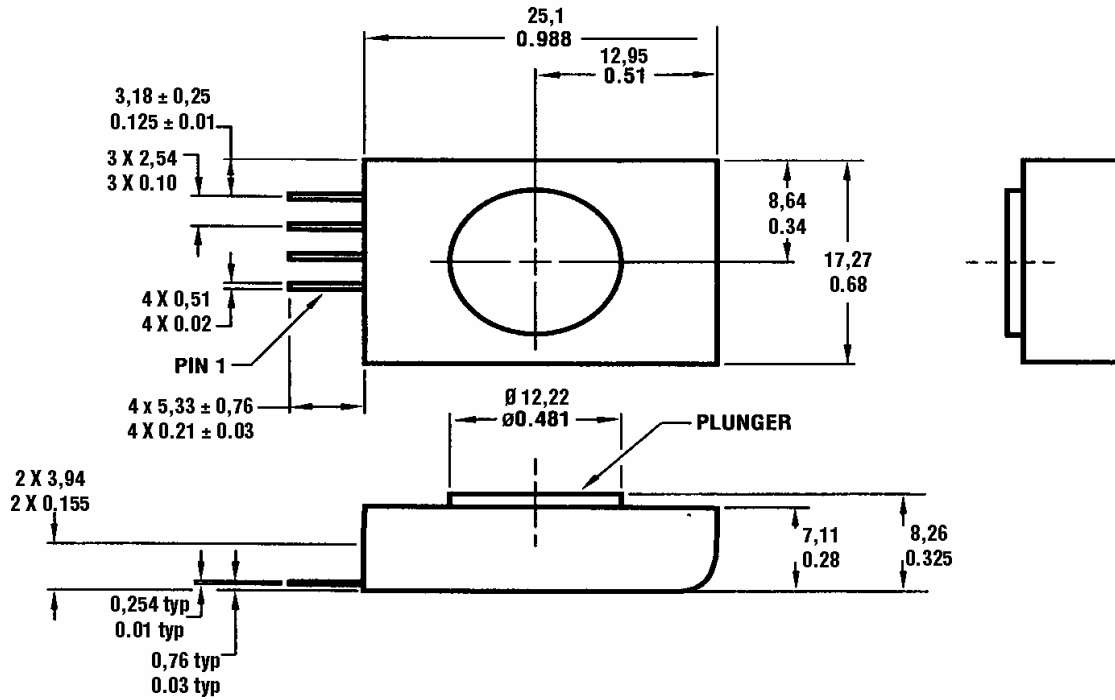
Note 6: Maximum difference in output within any operating force after 1 million force cycles

Pressure Sensors

FS01/FS03 Force Sensors

FS Series

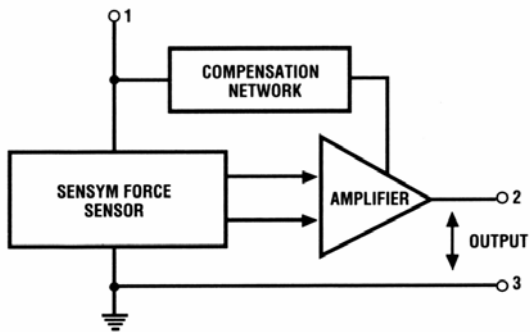
DIMENSIONAL DRAWING (FOR REFERENCE ONLY)



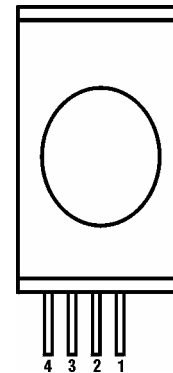
Tolerances, unless otherwise noted

- ± 0.01 for two decimal places
- ± 0.005 for three decimal places

EQUIVALENT CIRCUIT



ELECTRICAL CONNECTION PINOUT



- Pin 1 = + Supply
- Pin 2 = + Output
- Pin 3 = - Output/Ground
- Pin 4 = N/C

Pressure Sensors

FS01/FS03 Force Sensors

FS Series

ORDER GUIDE

| Part Number | Force Range |
|-------------|--|
| FS01 | 0 lbs to 1.5 lbs [0 kg to 0.68 kg] |
| FS03 | 0 lbs to 3.0 lbs [0 kg to 1.36 kg] |

WARRANTY/REMEDY

Honeywell warrants goods of its manufacture as being free of defective materials and faulty workmanship. Contact your local sales office for warranty information. If warranted goods are returned to Honeywell during the period of coverage, Honeywell will repair or replace without charge those items it finds defective. **The foregoing is Buyer's sole remedy and is in lieu of all other warranties, expressed or implied, including those of merchantability and fitness for a particular purpose.**

Specifications may change without notice. The information we supply is believed to be accurate and reliable as of this printing. However, we assume no responsibility for its use.

While we provide application assistance personally, through our literature and the Honeywell web site, it is up to the customer to determine the suitability of the product in the application.

For application assistance, current specifications, or name of the nearest Authorized Distributor, contact a nearby sales office. Or call:

1-800-537-6945 USA/Canada

1-815-235-6847 International

FAX

1-815-235-6545 USA

INTERNET

www.honeywell.com/sensing

info.sc@honeywell.com

Honeywell

Sensing and Control

www.honeywell.com/sensing

Honeywell

11 West Spring Street

Freeport, Illinois 61032