



Chipsmall Limited consists of a professional team with an average of over 10 year of expertise in the distribution of electronic components. Based in Hongkong, we have already established firm and mutual-benefit business relationships with customers from,Europe,America and south Asia,supplying obsolete and hard-to-find components to meet their specific needs.

With the principle of “Quality Parts,Customers Priority,Honest Operation,and Considerate Service”,our business mainly focus on the distribution of electronic components. Line cards we deal with include Microchip,ALPS,ROHM,Xilinx,Pulse,ON,Everlight and Freescale. Main products comprise IC,Modules,Potentiometer,IC Socket,Relay,Connector.Our parts cover such applications as commercial,industrial, and automotives areas.

We are looking forward to setting up business relationship with you and hope to provide you with the best service and solution. Let us make a better world for our industry!



Contact us

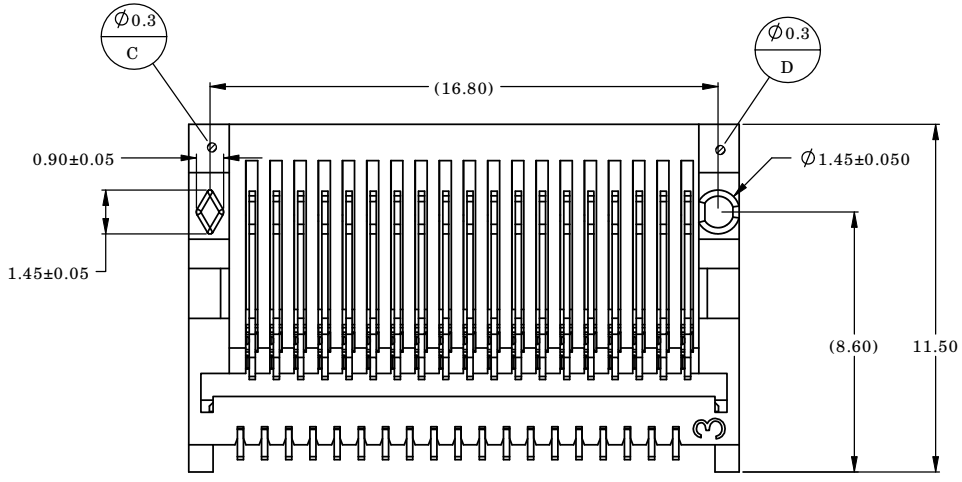
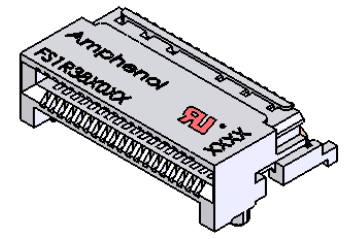
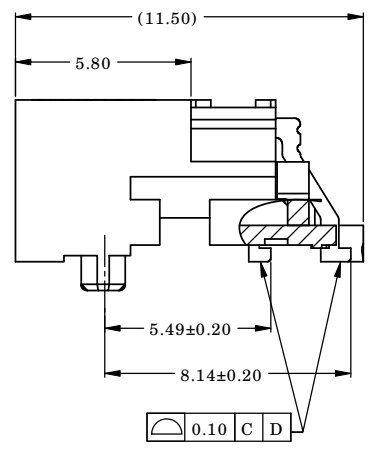
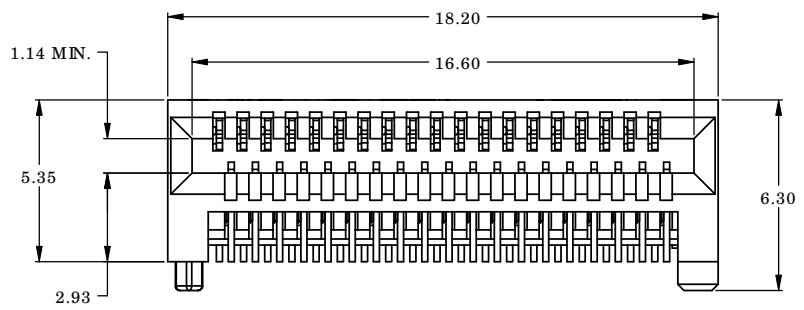
Tel: +86-755-8981 8866 Fax: +86-755-8427 6832

Email & Skype: info@chipsmall.com Web: www.chipsmall.com

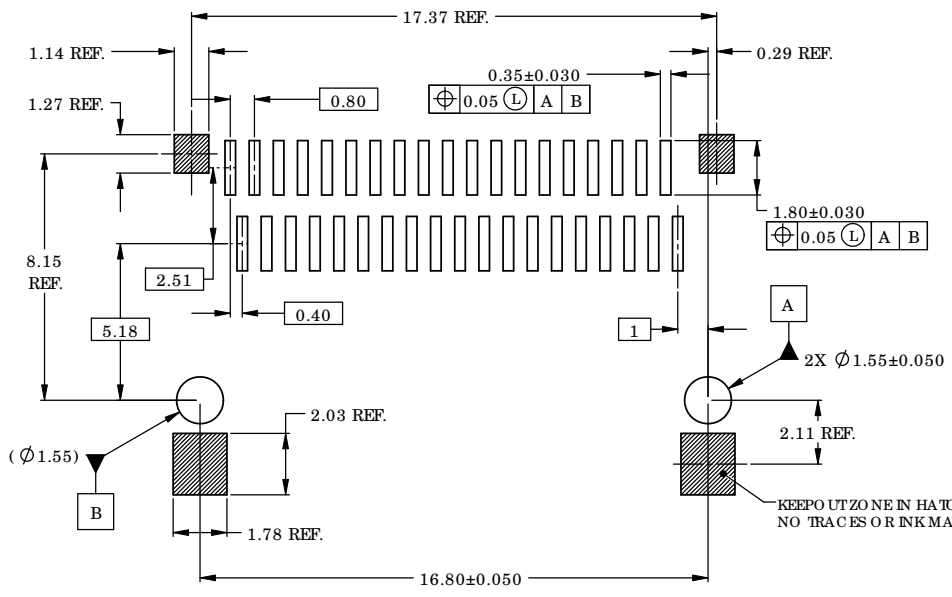
Address: A1208, Overseas Decoration Building, #122 Zhenhua RD., Futian, Shenzhen, China



REVISIONS				
REV	RCN	DESCRIPTION	DATE	APPROVED
B		PROPOSAL DRAWING	15/ APR/ 10	YK
C		HOLD DOWN TABS CONSTRUCTION ADDED	15/ APR/ 10	YK
D	B0104	UPPER SOLDERING BAR REMOVED	21/ APR/ 08	YK



PART NUMBER	NOISE CANCELLATION FEATURE	PACKAGING	CONTACT PLATING
FS1-R38-20A2-10	YES	TAPE AND REEL	30µm GOLD OVER 50µm NICKEL IN CONTACT AREAS 100µm MATTE TIN OVER 50µm NICKEL IN SOLDER AREAS
FS1-R38-20A2-00	NO		
FS1-R38-30A2-10	YES	TAPE AND REEL	15µm GOLD OVER 50µm NICKEL IN CONTACT AREAS 100µm MATTE TIN OVER 50µm NICKEL IN SOLDER AREAS
FS1-R38-30A2-00	NO		



- NOTES:
- MATERIAL:
SOLDER REFLOW PROCESS COMPATIBLE LCP, UL94V-0
CONTACTS: PHOSPHOR BRONZE
 - ROHS COMPLIANT
 - PERFORMANCE:
ELECTRICAL: 0.5 AMPS MAX. PER CONTACT
MECHANICAL: 250 MATING CYCLES MINIMUM
 - COMPLIES WITH SFF-8436 SPECIFICATION

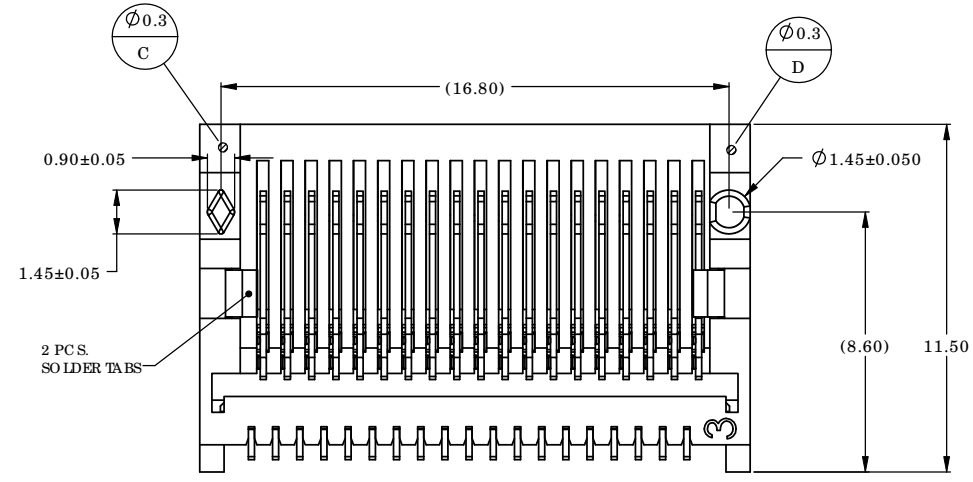
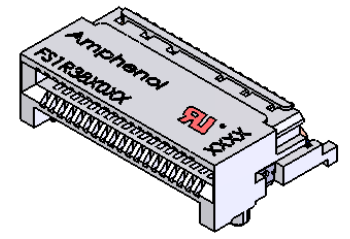
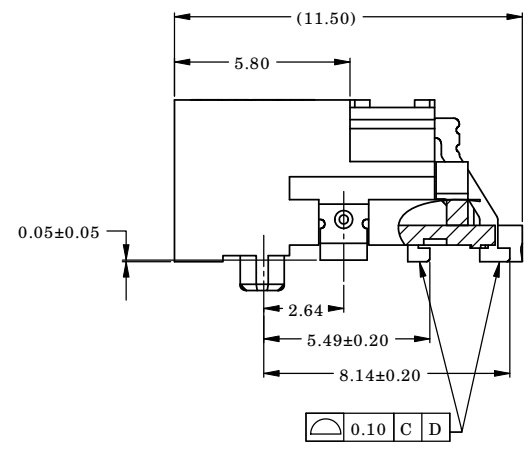
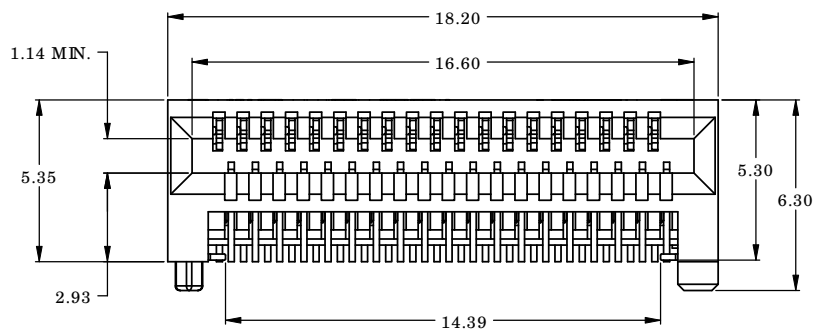
RECOMMENDED PCB LAYOUT FOR FS1-R38-X0A2-X0

THIS DOCUMENT CONTAINS PROPRIETARY INFORMATION AND SUCH INFORMATION MAY NOT BE DISCLOSED TO OTHERS FOR ANY PURPOSE OR USED FOR MANUFACTURING PURPOSES WITHOUT PERMISSION FROM AMPHENOL CANADA CORP.

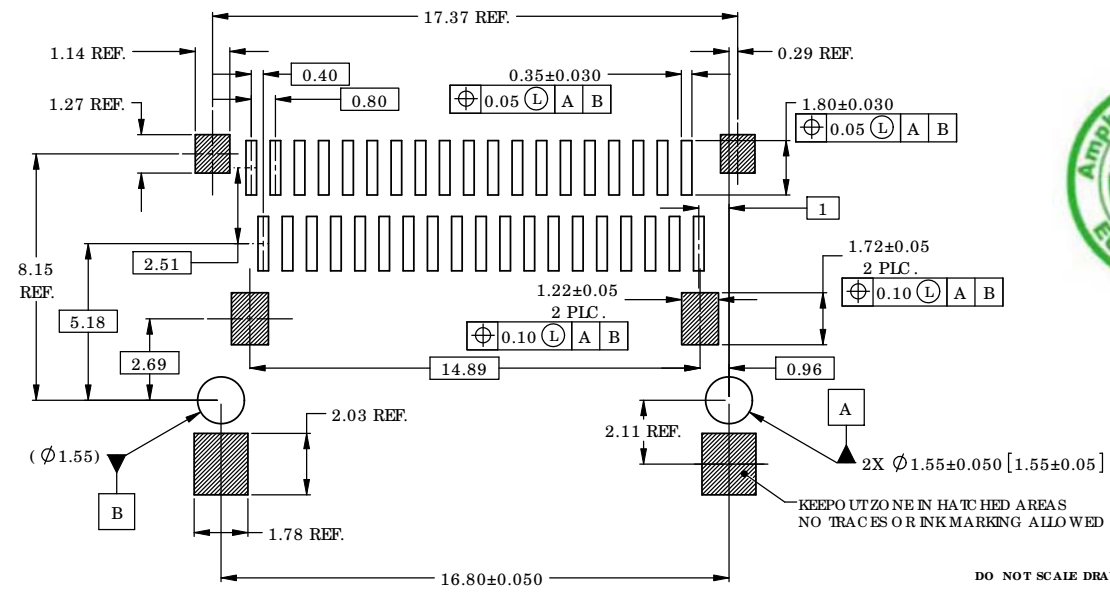
DO NOT SCALE DRAWING

UNLESS OTHERWISE SPECIFIED DIMENSIONS ARE IN MILLIMETERS		APPROVALS	DATE	Amphenol Canada Corp.	
DRAWN BY: KSO BEL		DATE: 15/ APR/ 10	EXPRESS PORT, Q SFP+ 38 POSITION CONNECTOR		
DESIGNED BY: YK		DATE: 21/ APR/ 08	C P-FS1-R38-X0A2-XX D		
DRAWING NO: EAR 12923		DATE: NTS	REV: 1 OF 2		
CUST. NO: 03554		DATE: FSI			

REVISIONS				
REV	BY	DATE	DESCRIPTION	APPROVED
1	YK	21/ APR/ 06	ISSUE FOR PRODUCTION	



PART NUMBER	NOISE CANCELLATION FEATURE	PACKAGING	CONTACT PLATING
FS1-R38-20A2-11	YES	TAPE AND REEL	30µ" GOLD OVER 50µ" NICKEL IN CONTACT AREAS 100µ" MATTE TIN OVER 50µ" NICKEL IN SOLDER AREAS
FS1-R38-20A2-01	NO		
FS1-R38-30A2-11	YES		15µ" GOLD OVER 50µ" NICKEL IN CONTACT AREAS 100µ" MATTE TIN OVER 50µ" NICKEL IN SOLDER AREAS
FS1-R38-30A2-01	NO		



- NOTES:
- MATERIAL:
SOLDERING: SOLDER REFLOW PROCESS COMPATIBLE LCP, UL94V-0
CONTACTS: PHOSPHOR BRONZE
 - ROHS COMPLIANT
 - PERFORMANCE:
ELECTRICAL: 0.5 AMPS MAX. PER CONTACT
MECHANICAL: 250 MATING CYCLES MINIMUM
 - COMPLIES WITH SFF-8436 SPECIFICATION

RECOMMENDED PCB LAYOUT FOR FS1-R38-X0A2-X1

THIS DOCUMENT CONTAINS PROPRIETARY INFORMATION AND SUCH INFORMATION MAY NOT BE DISCLOSED TO OTHERS FOR ANY PURPOSE OR USED FOR MANUFACTURING PURPOSES WITHOUT PERMISSION FROM AMPHENOL CANADA CORP.

DO NOT SCALE DRAWING

UNLESS OTHERWISE SPECIFIED DIMENSIONS ARE IN MILLIMETERS		APPROVALS	DATE	Amphenol Canada Corp.
DRAWN BY: KSO BEL		DATE: 15/ APR/ 10	DATE: 21/ APR/ 06	
SIZE: .X ± 0.25	ANGLE: ± 2°	DESIGNED BY: YK	DATE: 21/ APR/ 06	EXPRESS PORT, Q SFP+ 38 POSITION CONNECTOR
SIZE: .XX ± 0.13	ANGLE: ± 2°	DESIGNED BY: YK	DATE: 21/ APR/ 06	
MATERIAL: FR8		QA APP'D		
DWG. NO: EAR 12923	SCALE: 1:1	SEALPP		
DATE: 03/ 05/ 04	DWG. APP'D	SCALE: NTS	DATE: 03/ 05/ 04	