



Chipsmall Limited consists of a professional team with an average of over 10 year of expertise in the distribution of electronic components. Based in Hongkong, we have already established firm and mutual-benefit business relationships with customers from,Europe,America and south Asia,supplying obsolete and hard-to-find components to meet their specific needs.

With the principle of “Quality Parts,Customers Priority,Honest Operation,and Considerate Service”,our business mainly focus on the distribution of electronic components. Line cards we deal with include Microchip,ALPS,ROHM,Xilinx,Pulse,ON,Everlight and Freescale. Main products comprise IC,Modules,Potentiometer,IC Socket,Relay,Connector.Our parts cover such applications as commercial,industrial, and automotives areas.

We are looking forward to setting up business relationship with you and hope to provide you with the best service and solution. Let us make a better world for our industry!



Contact us

Tel: +86-755-8981 8866 Fax: +86-755-8427 6832

Email & Skype: info@chipsmall.com Web: www.chipsmall.com

Address: A1208, Overseas Decoration Building, #122 Zhenhua RD., Futian, Shenzhen, China



REVISIONS				
REV	RCN	DESCRIPTION	DATE	APPROVED
V		ELASTOMER GASKET OPTION ADDED	SEP 15/09	ZLJ
Z		DETAILS ADDED	DAN 10/10	ZLJ

FS1 - S01 - 1 X X X

MOUNTING SCREW OPTION

- 1** = 8 mm MOUNTING SCREW SHIPPED BULK IN SAME TRAYS WITH CAGE ASSEMBLIES
- 2** = NO MOUNTING SCREW SUPPLIED
- 3** = 10 mm MOUNTING SCREW WITH LOCK WASHER SHIPPED BULK IN SAME TRAYS WITH CAGE ASSEMBLIES

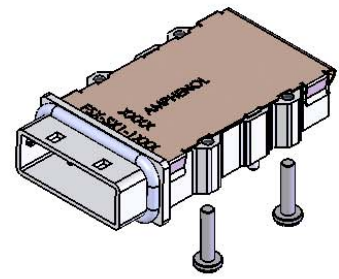
GASKET OPTION

- E** = STAINLESS STEEL EMIGASKET
- F** = FOAM, CHOMERIC SOFTSHIELD 4800, EMIGASKET
- C** = CONDUCTIVE ELASTOMER, CHOMERIC S6305

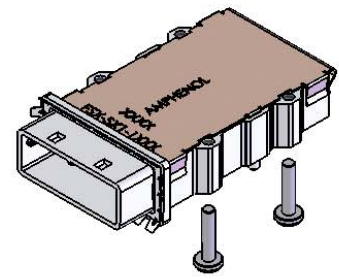
KEYING OPTION (SEE BELOW TABLE FOR FURTHER CLARIFICATION)

- 0** = NO KEY
- 1** = KEY # 1
- 2** = KEY # 2
- 4** = KEY # 4
- 5** = KEY # 5
- 6** = KEY # 6
- 7** = KEY # 7
- 2,4** = KEY # 2 AND # 4
- 4,6** = KEY # 4 AND # 6

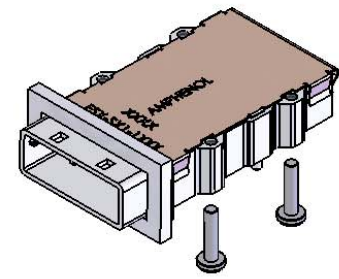
Option	Part Number	Description
0	FS1-S01-10XX	No Key
1	FS1-S01-11XX	SATA 'X' Cable
2	FS1-S01-12XX	
4	FS1-S01-14XX	SAS Universal Port
5	FS1-S01-15XX	
6	FS1-S01-16XX	
7	FS1-S01-17XX	SATA 'M' Cable
2,4	FS1-S01-124X	SAS Out Port
4,6	FS1-S01-146XX	SAS In Port



PARTNUMBER: **FS1-S01-14C1** SHOWN
(CAGE ASSEMBLY WITH ELASTOMERIC GASKET AND 8mm MOUNTING SCREWS SHIPPED BULK)



PARTNUMBER: **FS1-S01-14E1** SHOWN
(CAGE ASSEMBLY WITH STAINLESS STEEL GASKET AND 8mm MOUNTING SCREWS SHIPPED BULK)



PARTNUMBER: **FS1-S01-14F1** SHOWN
(CAGE ASSEMBLY WITH FOAM GASKET AND 8mm MOUNTING SCREWS SHIPPED BULK)

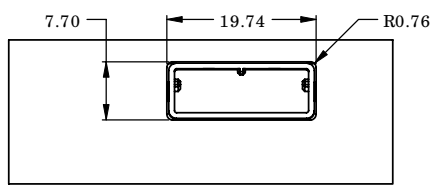
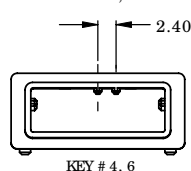
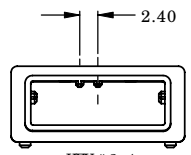
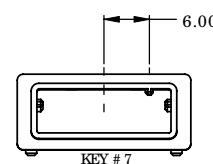
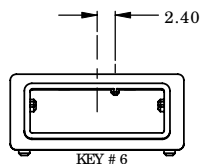
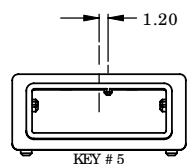
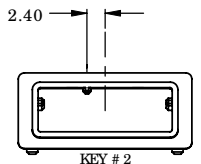
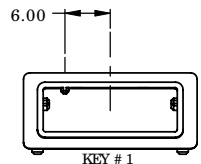
DO NOT SCALE DRAWING

THIS DOCUMENT CONTAINS PROPRIETARY INFORMATION AND SUCH INFORMATION MAY NOT BE DISCLOSED TO OTHERS FOR ANY PURPOSE OR USED FOR MANUFACTURING PURPOSES WITHOUT PERMISSION FROM AMPHENOL CANADA CORP.

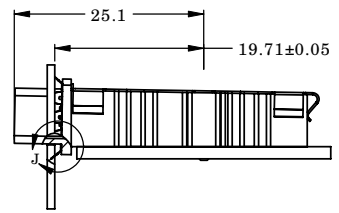


UNLESS OTHERWISE SPECIFIED DIMENSIONS ARE IN MILLIMETERS		APPROVALS	DATE	Amphenol Canada Corp.
DRG: NO	EAR 123XX	DRG: NO	NO V 10/08	
DATE: 03554		DATE: NTS	NO V 10/08	
DRG: APPD		DRG: APPD		REV: Z
DRG: APPD		DRG: APPD		REV: SFF
				REV: 1 OF 2

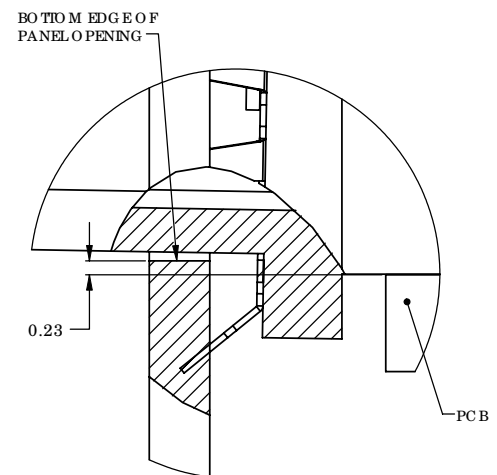
REVISIONS			
REV	BY	DATE	APPROVED
V	Z	SEP 15/09	ZLJ
Z	Z	DAN 14/10	ZLJ



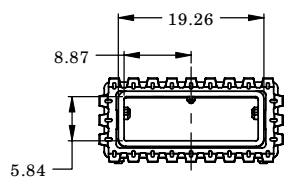
RECOMMENDED PANEL CUT-OUT



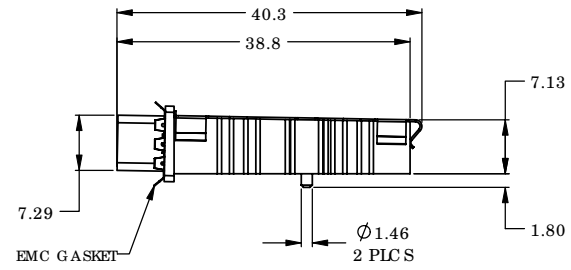
RECOMMENDED FACE PLATE TO LOCATING POST DISTANCE



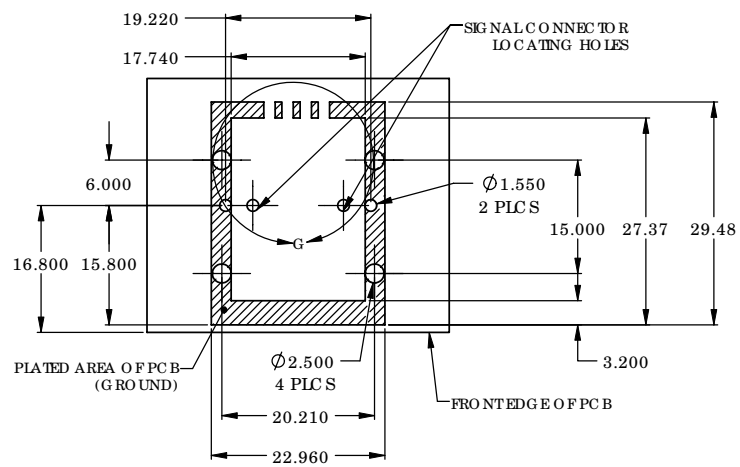
DETAIL J
SCALE 16 : 1



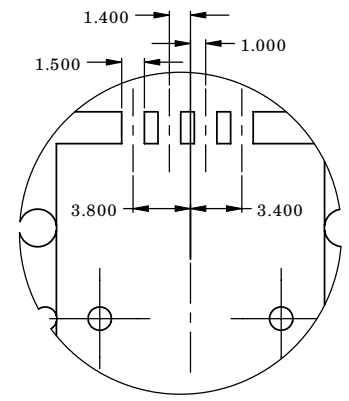
KEY # 4



DETAIL G
SCALE 4 : 1



RECOMMENDED PCB LAYOUT



NOTES:

- MATERIAL:
MAIN CAGE: ZINC DIECAST SHELL WITH 150 MICRON THICKNESS OF NICKEL PLATING
EMC GASKET: SEE SHEET 1
COVER: STAINLESS STEEL
MOUNTING SCREW: A316 1010 STEEL

2) ROHS COMPLIANT



UNLESS OTHERWISE SPECIFIED DIMENSIONS ARE IN MILLIMETERS		APPROVALS		DATE		Amphenol Canada Corp.	
DRAWN	ZLJ	NO V 10/08					
DESIGNED	ZLJ	NO V 10/08					
QA APP'D							
DWG. NO.	EAR 123XX	SCALE	C	DWG. NO.	P-FSI-S01-1XXX	REV.	Z
CODE/REV. NO.	03554	DWG. APP'D	NTS	PROJ. MGR.	SFF	SHEET	2 OF 2

THIS DOCUMENT CONTAINS PROPRIETARY INFORMATION AND SUCH INFORMATION MAY NOT BE DISCLOSED TO OTHERS FOR ANY PURPOSE OR USED FOR MANUFACTURING PURPOSES WITHOUT PERMISSION FROM AMPHENOL CANADA CORP.

DO NOT SCALE DRAWING