



Chipsmall Limited consists of a professional team with an average of over 10 year of expertise in the distribution of electronic components. Based in Hongkong, we have already established firm and mutual-benefit business relationships with customers from,Europe,America and south Asia,supplying obsolete and hard-to-find components to meet their specific needs.

With the principle of “Quality Parts,Customers Priority,Honest Operation,and Considerate Service”,our business mainly focus on the distribution of electronic components. Line cards we deal with include Microchip,ALPS,ROHM,Xilinx,Pulse,ON,Everlight and Freescale. Main products comprise IC,Modules,Potentiometer,IC Socket,Relay,Connector.Our parts cover such applications as commercial,industrial, and automotives areas.

We are looking forward to setting up business relationship with you and hope to provide you with the best service and solution. Let us make a better world for our industry!



Contact us

Tel: +86-755-8981 8866 Fax: +86-755-8427 6832

Email & Skype: info@chipsmall.com Web: www.chipsmall.com

Address: A1208, Overseas Decoration Building, #122 Zhenhua RD., Futian, Shenzhen, China



REVISIONS				
REV	RCN	DISCRIPTION	DATE	APPROVED
T		ELASTOMER GASKET OPTION ADDED	SEP 15 09	ZLJ
U		DETAILS ADDED	JAN 14 10	ZLJ
V		NOTES #3 ADDED	JAN 20 11	ZLJ
Z		ISO PDM VIEW ADDED	DEC 22 12	ZLJ

FS1 - SF1 - 1 X X X

MOUNTING SCREW OPTION

- 1** = 8 mm MOUNTING SCREW SHIPPED BULK IN SAME TRAYS WITH CAGE ASSEMBLIES
- 2** = NO MOUNTING SCREW SUPPLIED
- 3** = 10 mm MOUNTING SCREW WITH LOCK WASHER SHIPPED BULK IN SAME TRAYS WITH CAGE ASSEMBLIES

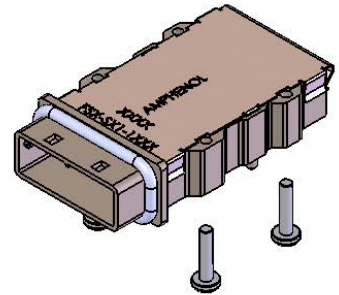
GASKET OPTION

- E** = STAINLESS STEEL EMIGASKET
- F** = FOAM, CHOMERICS SOFTSHIELD 4800, EMIGASKET
- C** = CONDUCTIVE ELASTOMER, CHOMERICS S6305

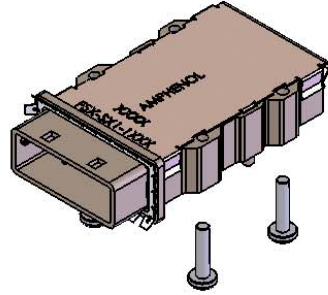
KEYING OPTION (SEE BELOW TABLE FOR FURTHER CLARIFICATION)

- 0** = NO KEY
- 1** = KEY # 1
- 2** = KEY # 2
- 3** = KEY # 3
- 4** = KEY # 4
- 5** = KEY # 5
- 6** = KEY # 6
- 7** = KEY # 7
- 2,4** = KEY # 2 AND # 4
- 4,6** = KEY # 4 AND # 6

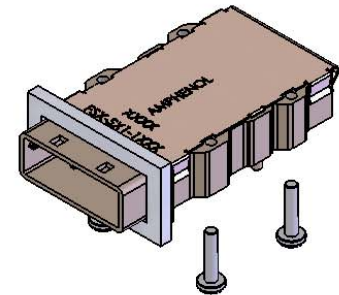
Key Option	Part Number	Description
0	FS1-SF1-10XX	No Key
1	FS1-SF1-11XX	SATA 'X' Cable
2	FS1-SF1-12XX	
3	FS1-SF1-13XX	
4	FS1-SF1-14XX	SAS Universal Port
5	FS1-SF1-15XX	
6	FS1-SF1-16XX	
7	FS1-SF1-17XX	SATA 'M' Cable
2,4	FS1-SF1-124XX	SAS Out Port
4,6	FS1-SF1-146XX	SAS In Port



PARTNUMBER: **FS1-SF1-14C1** SHOWN
(CAGE ASSEMBLY WITH ELASTOMERIC GASKET AND 8mm MOUNTING SCREWS SHIPPED BULK)



PARTNUMBER: **FS1-SF1-14E1** SHOWN
(CAGE ASSEMBLY WITH STAINLESS STEEL GASKET AND 8mm MOUNTING SCREWS SHIPPED BULK)



PARTNUMBER: **FS1-SF1-14F1** SHOWN
(CAGE ASSEMBLY WITH FOAM GASKET AND 8mm MOUNTING SCREWS SHIPPED BULK)

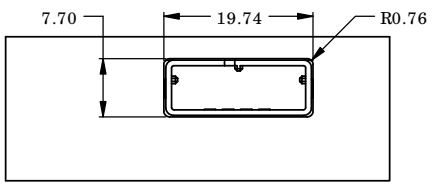
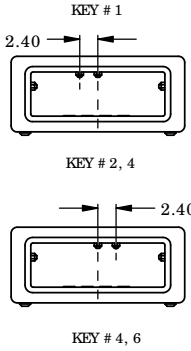
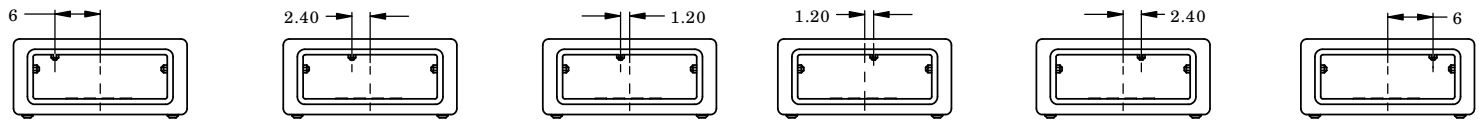
DO NOT SCALE DRAWING

THIS DOCUMENT CONTAINS PROPRIETARY INFORMATION AND SUCH INFORMATION MAY NOT BE DISCLOSED TO OTHERS FOR ANY PURPOSE OR USED FOR MANUFACTURING PURPOSES WITHOUT PERMISSION FROM AMPHENOL CANADA CORP.

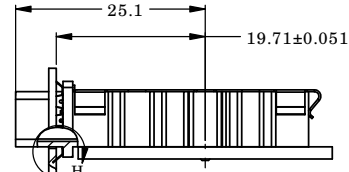


UNLESS OTHERWISE SPECIFIED DIMENSIONS ARE IN MILLIMETERS		APPROVALS	DATE	Amphenol Canada Corp.
DRG: NO	EAR 123XX	DRG: NO	JAN 6/09	
DATE: 03554		DRG: NO	JAN 06/09	
SCALE: NTS		SCALE: NTS		REV: Z
		SCALE: SFF		REV: Z
				REV: Z
				REV: Z

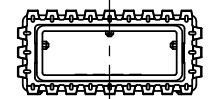
REVISIONS				
REV	RCN	DESCRIPTION	DATE	APPROVED
Z		SEE SHEET 1	FEB 12 11	ZLJ



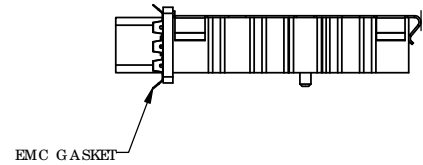
RECOMMENDED PANEL CUTOUT



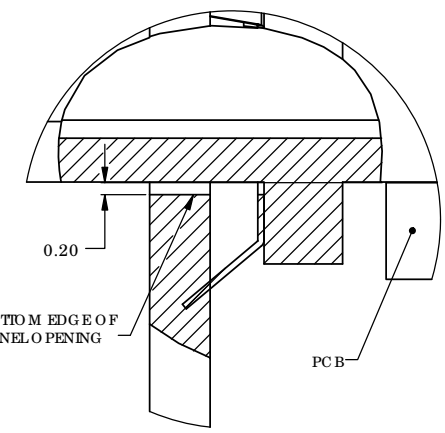
RECOMMENDED FACE PLATE TO LOCATING POST DISTANCE



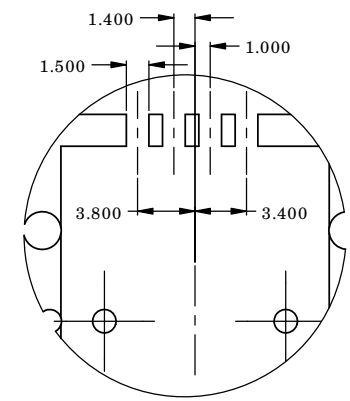
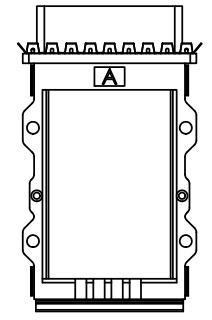
KEY #4



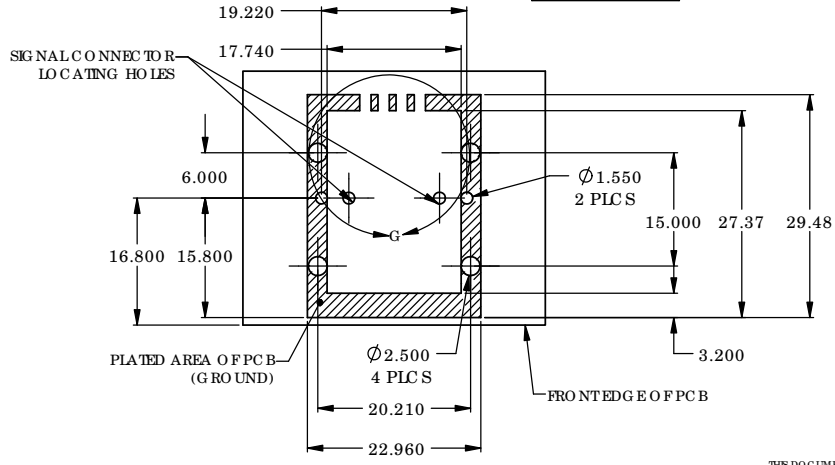
EMC GASKET



DETAIL H
SCALE 16 : 1



DETAIL G
SCALE 4 : 1



RECOMMENDED PCB LAYOUT

NOTES:

- MATERIAL:
MAIN CAGE: ZINC DIECAST SHELL WITH 150 MICRONS OF NICKEL PLATING
EMC GASKET: SEE SHEET 1
COVER: STAINLESS STEEL
MOUNTING SCREW: AISI 1010 STEEL
- ROHS COMPLIANT
- COMPATIBLE WITH SFF-8088 SHIELDED MULTILANE MINISAS PLUGS



UNLESS OTHERWISE SPECIFIED DIMENSIONS ARE IN MILLIMETERS		APPROVALS		DATE		Amphenol Canada Corp.	
DR: MAL	ANG: LB	DRAWN	ZLJ	JAN 06/09	REV		
XX ± 0.25	± 2°	DESIGNED	ZLJ	JAN 06/09	MINISAS 0 DEG REE SINGLE PORT CAGE		
XXX ± 0.10		CHECKED			SCALE	NTS	PROJECT
XXX ± 0.05		QA APPD			DWG NO	P-FS1-SF1-1XXX	REV
MATERIAL AND FINISH		DRAWING NO		SCALE		PROJECT	
DRAWING NO: EAR 123XX		SCALE: NTS		PROJECT: SFF		REV: Z	
DATE: 03554		SCALE: NTS		PROJECT: SFF		PAGE: 1 OF 1	

THIS DOCUMENT CONTAINS PROPRIETARY INFORMATION AND SUCH INFORMATION MAY NOT BE DISCLOSED TO OTHERS FOR ANY PURPOSE OR USED FOR MANUFACTURING PURPOSES WITHOUT PERMISSION FROM AMPHENOL CANADA CORP.

DO NOT SCALE DRAWING