



Chipsmall Limited consists of a professional team with an average of over 10 year of expertise in the distribution of electronic components. Based in Hongkong, we have already established firm and mutual-benefit business relationships with customers from,Europe,America and south Asia,supplying obsolete and hard-to-find components to meet their specific needs.

With the principle of “Quality Parts,Customers Priority,Honest Operation,and Considerate Service”,our business mainly focus on the distribution of electronic components. Line cards we deal with include Microchip,ALPS,ROHM,Xilinx,Pulse,ON,Everlight and Freescale. Main products comprise IC,Modules,Potentiometer,IC Socket,Relay,Connector.Our parts cover such applications as commercial,industrial, and automotives areas.

We are looking forward to setting up business relationship with you and hope to provide you with the best service and solution. Let us make a better world for our industry!



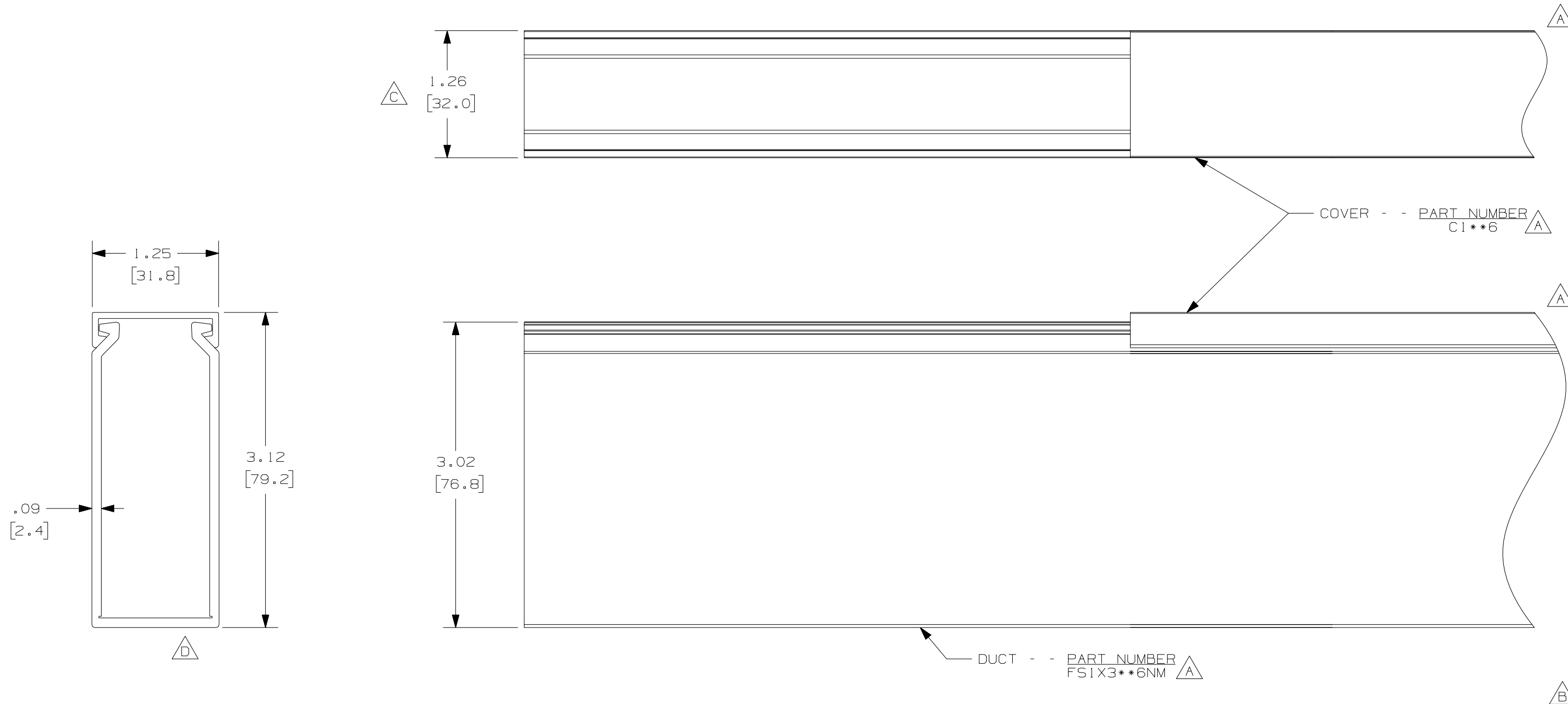
Contact us

Tel: +86-755-8981 8866 Fax: +86-755-8427 6832

Email & Skype: info@chipsmall.com Web: www.chipsmall.com

Address: A1208, Overseas Decoration Building, #122 Zhenhua RD., Futian, Shenzhen, China





A **E**

NOTE.

1. ALL DIMENSIONS ARE REFERENCE ONLY.
2. DIMENSIONS IN PARENTHESES ARE METRIC.
3. THE ** DENOTE COLOR.
4. DUCT AND COVER ARE AVAILABLE IN 6 FT [1828.8] LENGTHS.

REV	DATE	BY	CHK	DESCRIPTION	CAD FILENAME/LAYERS	DRAWN BY	DATE	MAT'L:	SCALE	DRAWING NO.	DWG SIZE
					D11000EW_DC_02B						
					PANDUIT CORP. TINLEY PARK, ILLINOIS WIRING DUCT - TYPE FS WITH COVER 1 X 3 MARKETING DRAWING						
2	8-6-07	JCST	MKBE	D. DELETED DIMENSION C. ADDED DIMENSION		JHNU	10-2-03	PVC	FULL	36897-895	B
1	10-14-05	JCST	MKBE	B. CHANGED DRAWING SIZE A. ADDED SIDE & TOP VIEWS, LABELS, AND NOTE		JHNU	10-2-03				
R	10-2-03	JHNU	JGG	DRAWING RELEASED		JGG					