



Chipsmall Limited consists of a professional team with an average of over 10 year of expertise in the distribution of electronic components. Based in Hongkong, we have already established firm and mutual-benefit business relationships with customers from,Europe,America and south Asia,supplying obsolete and hard-to-find components to meet their specific needs.

With the principle of “Quality Parts,Customers Priority,Honest Operation,and Considerate Service”,our business mainly focus on the distribution of electronic components. Line cards we deal with include Microchip,ALPS,ROHM,Xilinx,Pulse,ON,Everlight and Freescale. Main products comprise IC,Modules,Potentiometer,IC Socket,Relay,Connector.Our parts cover such applications as commercial,industrial, and automotives areas.

We are looking forward to setting up business relationship with you and hope to provide you with the best service and solution. Let us make a better world for our industry!



Contact us

Tel: +86-755-8981 8866 Fax: +86-755-8427 6832

Email & Skype: info@chipsmall.com Web: www.chipsmall.com

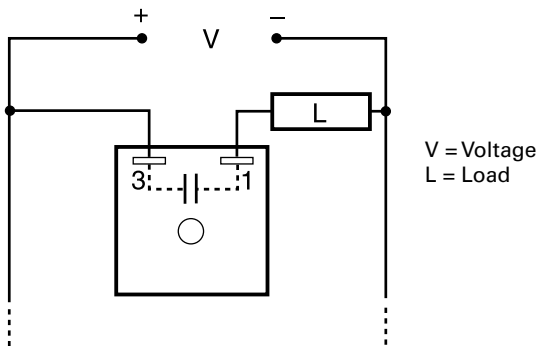
Address: A1208, Overseas Decoration Building, #122 Zhenhua RD., Futian, Shenzhen, China



FS300 SERIES



Wiring Diagram



Ordering Information

MODEL	INPUT	MAXIMUM CURRENT LOAD
FS312	12VDC \pm 20%	2.5A
FS324	24VDC \pm 20%	1.5A

If you don't find the part you need, call us for a custom product 800-843-8848

Description

The FS300 Series of solid-state flashers were specifically designed to operate lamp loads. Their two-terminal series connection feature makes installation easy. The high immunity to line noise and transients makes the FS300 Series ideal for moving vehicle applications. All solid-state construction means reliability and long life. The FS300 Series offers a factory fixed flash rate of 75 FPM or may be ordered with a fixed, custom flash rate ranging from 60 to 150 FPM.

Operation

Upon application of input voltage, the T2 OFF time begins. At the end of the OFF time, the T1 ON time begins and the load energizes. At the end of T1, T2 begins and the load de-energizes. This cycle repeats until input voltage is removed.

Reset: Removing input voltage resets the output and the sequence to T2.

Features & Benefits

FEATURES	BENEFITS
Totally solid state and encapsulated	No moving parts to arc and wear out over time and encapsulated to protect against shock, vibration, and humidity
High immunity to line noise and transients	Designed specifically for moving vehicle applications
High surge current capability (10 times steady state)	Direct operation of incandescent lamp loads
Two terminal series connection	Provides quick and easy installation for new or existing applications

Accessories



P1023-6 Mounting bracket

The 90° orientation of mounting slots makes installation/removal of modules quick and easy.



P1015-64 (AWG 14/16)

Female Quick Connect

These 0.25 in. (6.35 mm) female terminals are constructed with an insulator barrel to provide strain relief.



P1015-18 Quick Connect to Screw Adapter

Screw adapter terminal designed for use with all modules with 0.25 in. (6.35 mm) male quick connect terminals.



C103PM (AL) DIN Rail

35 mm aluminum DIN rail available in a 36 in. (91.4 cm) length.



P1023-20 DIN Rail Adapter

Allows module to be mounted on a 35 mm DIN type rail with two #10 screws.

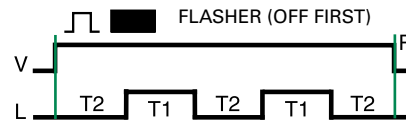
FS300 SERIES

Specifications

Technical Data

Operation	OFF/ON recycling solid-state flasher (continuous duty)
Flash Rate	Fixed at 75 FPM $\pm 10\%$
Custom Flash Rates	60 - 150 FPM
ON/OFF Ratio	$\approx 50\%$
Input	
Voltage	12, 24, 36, 48, 72, & 110VDC
Output	
Load Type	Incandescent or resistive
Maximum Load Rating	0.25 - 2.5A steady state
Inrush	10 times steady state current
Mechanical	
Mounting	Surface mount with one #10 (M5 x 0.8) screw
Dimensions	H 50.8 mm (2"); W 50.8 mm (2"); D 30.7 mm (1.21")
Termination	0.25 in. (6.35 mm) male quick connect terminals
Protection	
Circuitry	Encapsulated
Environmental	
Operating/Storage Temperature	-20° to 60°C / -40° to 85°C
Humidity	95% relative, non-condensing
Weight	≈ 2.2 oz (62 g)

Flasher Function Diagram



V = Voltage
R = Reset
L = Load
T1 = ONTime
T2 = OFFTime
T1 \approx T2