



Chipsmall Limited consists of a professional team with an average of over 10 year of expertise in the distribution of electronic components. Based in Hongkong, we have already established firm and mutual-benefit business relationships with customers from,Europe,America and south Asia,supplying obsolete and hard-to-find components to meet their specific needs.

With the principle of “Quality Parts,Customers Priority,Honest Operation,and Considerate Service”,our business mainly focus on the distribution of electronic components. Line cards we deal with include Microchip,ALPS,ROHM,Xilinx,Pulse,ON,Everlight and Freescale. Main products comprise IC,Modules,Potentiometer,IC Socket,Relay,Connector.Our parts cover such applications as commercial,industrial, and automotives areas.

We are looking forward to setting up business relationship with you and hope to provide you with the best service and solution. Let us make a better world for our industry!



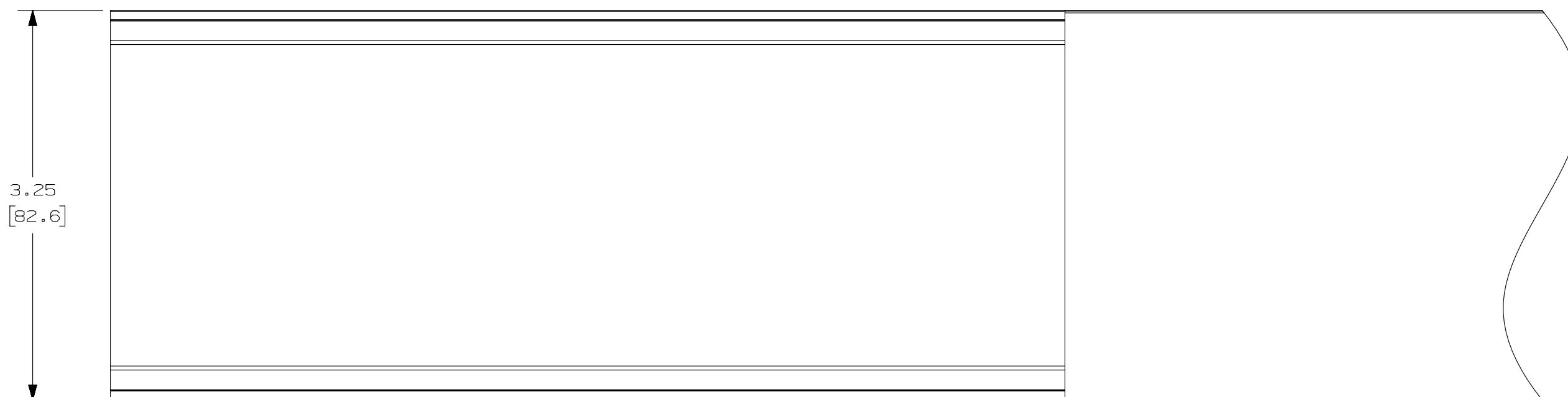
## Contact us

Tel: +86-755-8981 8866 Fax: +86-755-8427 6832

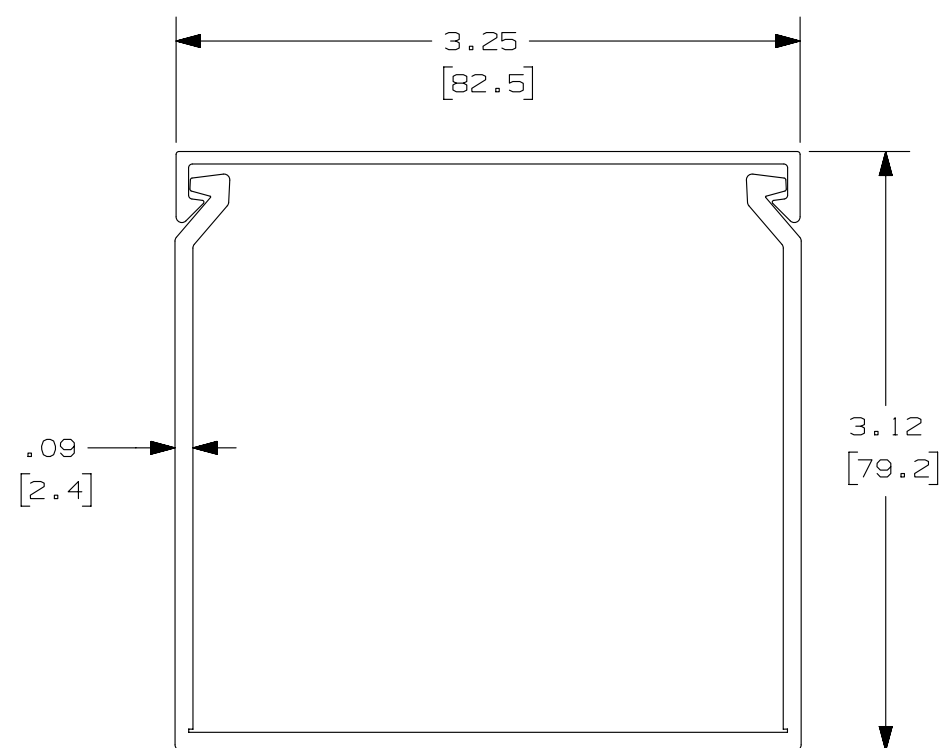
Email & Skype: info@chipsmall.com Web: www.chipsmall.com

Address: A1208, Overseas Decoration Building, #122 Zhenhua RD., Futian, Shenzhen, China





COVER - - PART\_NUMBER  
C3\*\*6



DUCT - - PART\_NUMBER  
FS3X3\*\*6NM

NOTES:

1. ALL DIMENSIONS ARE REFERENCE ONLY.
2. DIMENSIONS IN PARENTHESIS ARE METRIC.
3. THE \*\* DENOTE COLOR.
4. DUCT AND COVER ARE AVAILABLE IN 6 FT (1828.8) LENGTHS.

REV	DATE	BY	CHK	APR	DESCRIPTION	ECN
3	03-22-13	JBN	RTFI	RTFI	F. UPDATED DRAWING BORDER & TITLE BLOCK	36897-903

TITLE		WIRING DUCT - TYPE FS DUCT WITH COVER 3 X 3		
ITEM REVISION NAME		D11000FM/03		
DATASET FILE NAME		D11000FM_DC/03C		
UNLESS OTHERWISE SPECIFIED, DIMENSIONAL TOLERANCES ARE: 1N (mm)		MARKETING DRAWING		
.X ±		.XXX ±		
.XX ±		ANGLES ±		
THIRD ANGLE PROJECTION		MATERIAL: PVC		
DRAWN BY JHNU		DATE 10-02-03		DRAWING NUMBER: 36897-903
CHK JGG		SCALE FULL		SIZE SHT 1 OF 1



D1101000C/12