



Chipsmall Limited consists of a professional team with an average of over 10 year of expertise in the distribution of electronic components. Based in Hongkong, we have already established firm and mutual-benefit business relationships with customers from,Europe,America and south Asia,supplying obsolete and hard-to-find components to meet their specific needs.

With the principle of “Quality Parts,Customers Priority,Honest Operation,and Considerate Service”,our business mainly focus on the distribution of electronic components. Line cards we deal with include Microchip,ALPS,ROHM,Xilinx,Pulse,ON,Everlight and Freescale. Main products comprise IC,Modules,Potentiometer,IC Socket,Relay,Connector.Our parts cover such applications as commercial,industrial, and automotives areas.

We are looking forward to setting up business relationship with you and hope to provide you with the best service and solution. Let us make a better world for our industry!



## Contact us

Tel: +86-755-8981 8866 Fax: +86-755-8427 6832

Email & Skype: info@chipsmall.com Web: www.chipsmall.com

Address: A1208, Overseas Decoration Building, #122 Zhenhua RD., Futian, Shenzhen, China



# FS5700 SERIES PUSHBUTTON SWITCH

ANTI-VANDAL SWITCHES  
DETECTOR SWITCHES  
DIP SWITCHES  
KEYLOCK SWITCHES  
NAVIGATION SWITCHES  
PUSHBUTTON SWITCHES  
ROCKER SWITCHES  
ROTARY SWITCHES  
SLIDE SWITCHES  
SNAP ACTION SWITCHES  
TACTILE SWITCHES  
TOGGLE SWITCHES  
CAP OPTIONS



## APPLICATIONS / MARKETS



Gaming: Flight Simulation



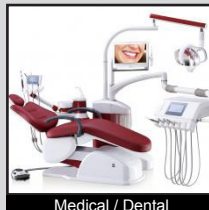
Home Appliances



Floor Care Appliances



Industrial Controls



Medical / Dental



Foot Switch

# RoHS

## SPECIFICATIONS

**Contact Rating:** 1A @ 9VDC  
**Electrical Life:** 30,000 Cycles  
**Contact Resistance:** 50mΩ Initial  
**Insulation Resistance:** 100MΩ @ 500VDC  
**Dielectric Strength:** 1000V RMS  
**Operating Temperature:** -10°C to 70°C  
**Storage Temperature:** -10°C to 70°C  
**Full Travel:** SP & DP: 2.7mm; 3P: 5.0mm  
**Contact Arrangement:** SPDT, DPDT or 3PDT  
**Actuation Force:** Single pole momentary: 1700gf  
 Single pole alternate action: 1000gf  
 Double pole momentary: 2500gf  
 Double pole alternate action: 1600gf  
 3 pole alternate action: 3000gf  
**Panel Thickness:** 8mm Max.

## FEATURES & BENEFITS

- SPDT, DPDT or 3PDT
- Momentary or alternate action functions
- High actuation force
- PCB mount or panel mount option

## PART NUMBER CONFIGURATOR

Series	Circuit	Function	Actuator	Bushing	Terminal	Contact Material	Sealing	Hardware
<input type="text" value="FS5700"/>	<input type="text" value="SP"/> SP - Single Pole <input type="text" value="DP"/> DP - Double Pole <input type="text" value="3P"/> 3P* - 3 Pole	<input type="text" value="L"/> L - Alternate Action <input type="text" value="M"/> M - Momentary	<input type="text" value="T2"/> T2 - 10mm dia.	<input type="text" value="B2"/> B2 - 11.5 high	<input type="text" value="M1"/> M1 - Solder Lug <input type="text" value="M2"/> M2 - PCB Pins	<input type="text" value="Q"/> Q - Silver	<input type="text" value="E"/> E - Epoxy	<input type="text" value="H"/> H** - Hardware

\*3P only available in "L" function  
 \*\*Hardware only provided with "M1" termination

Specifications subject to change without notice 4.2.2018



E-SWITCH®

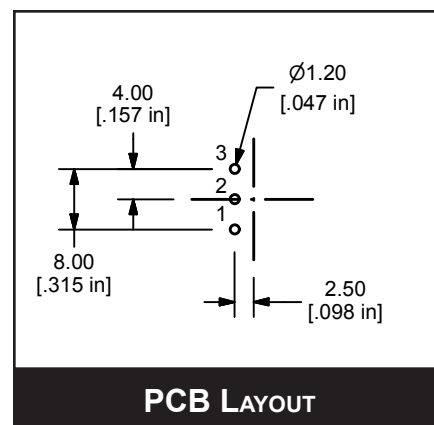
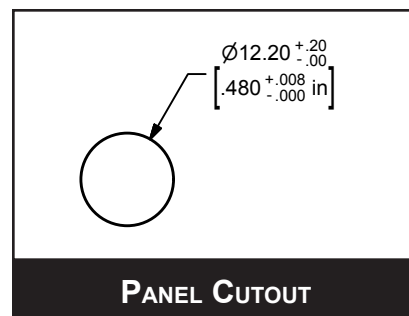
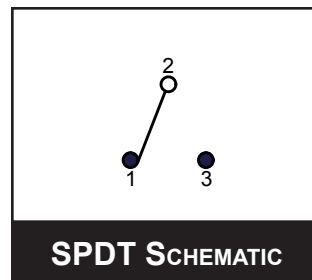
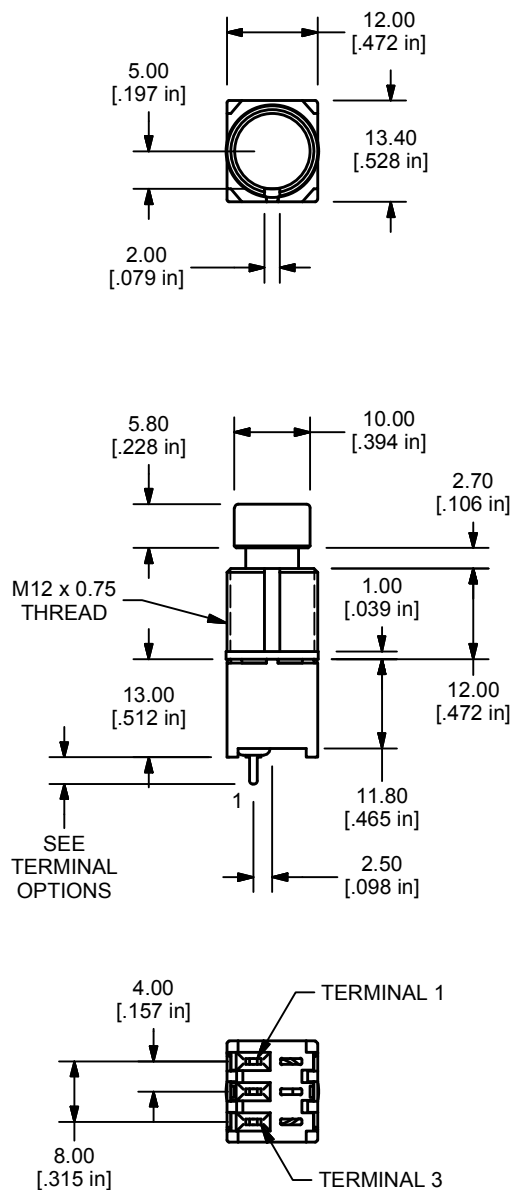
www.e-switch.com

800.867.2717

1

# FS5700 SERIES PUSHBUTTON SWITCH

SINGLE POLE



E-SWITCH®

www.e-switch.com

800.867.2717

2

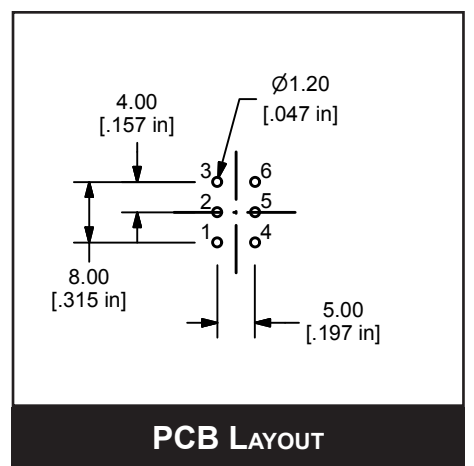
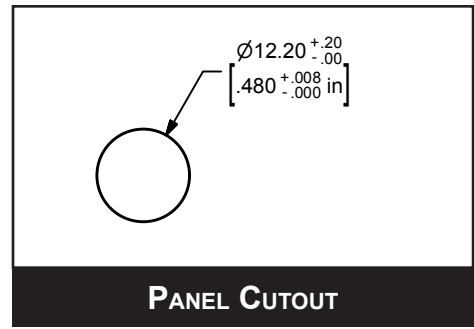
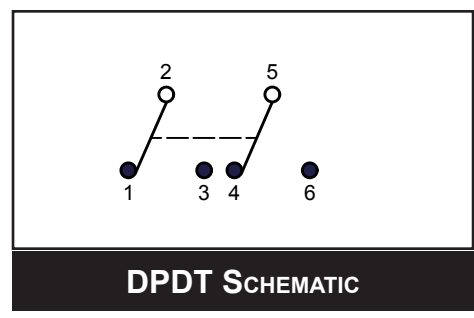
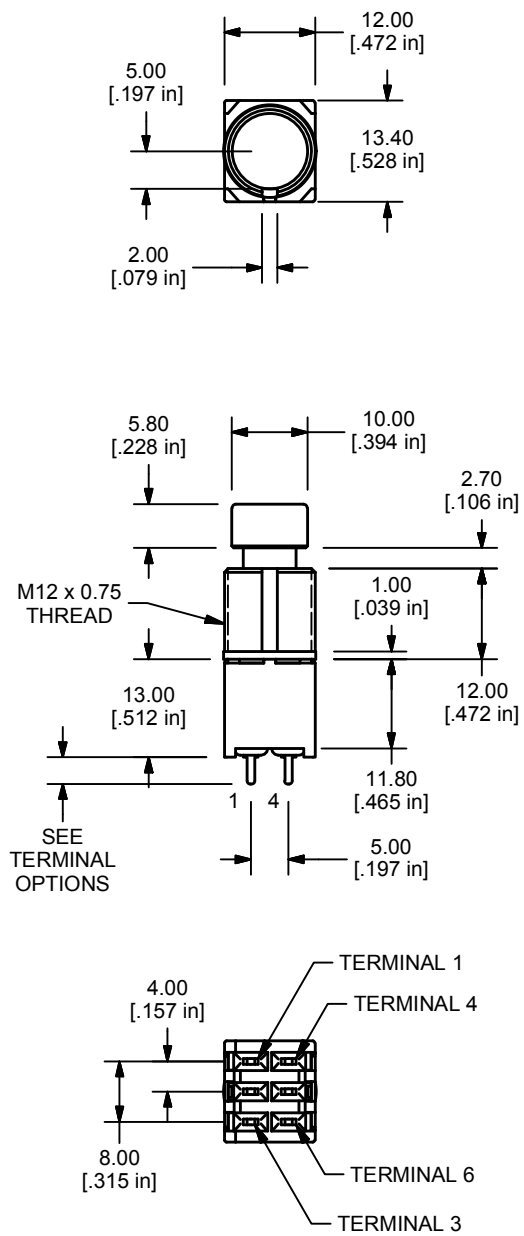
ANTI-VANDAL SWITCHES  
 DETECTOR SWITCHES  
 DIP SWITCHES  
 KEYLOCK SWITCHES  
 NAVIGATION SWITCHES  
**PUSHBUTTON SWITCHES**  
 ROTARY SWITCHES  
 SLIDE SWITCHES  
 SNAP ACTION SWITCHES  
 TACTILE SWITCHES  
 TOGGLE SWITCHES  
 CAP OPTIONS



# FS5700 SERIES PUSHBUTTON SWITCH

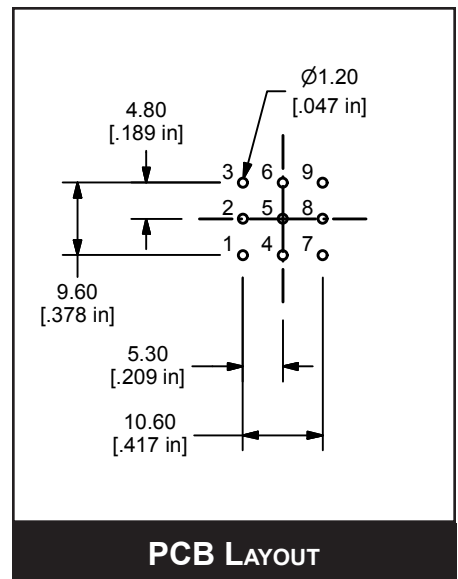
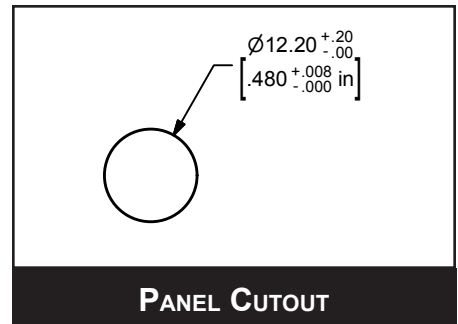
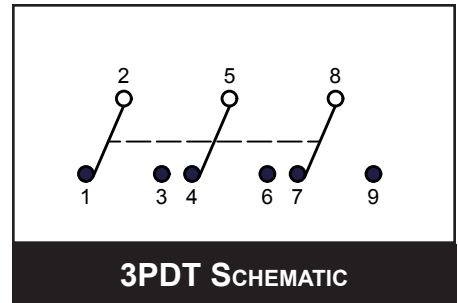
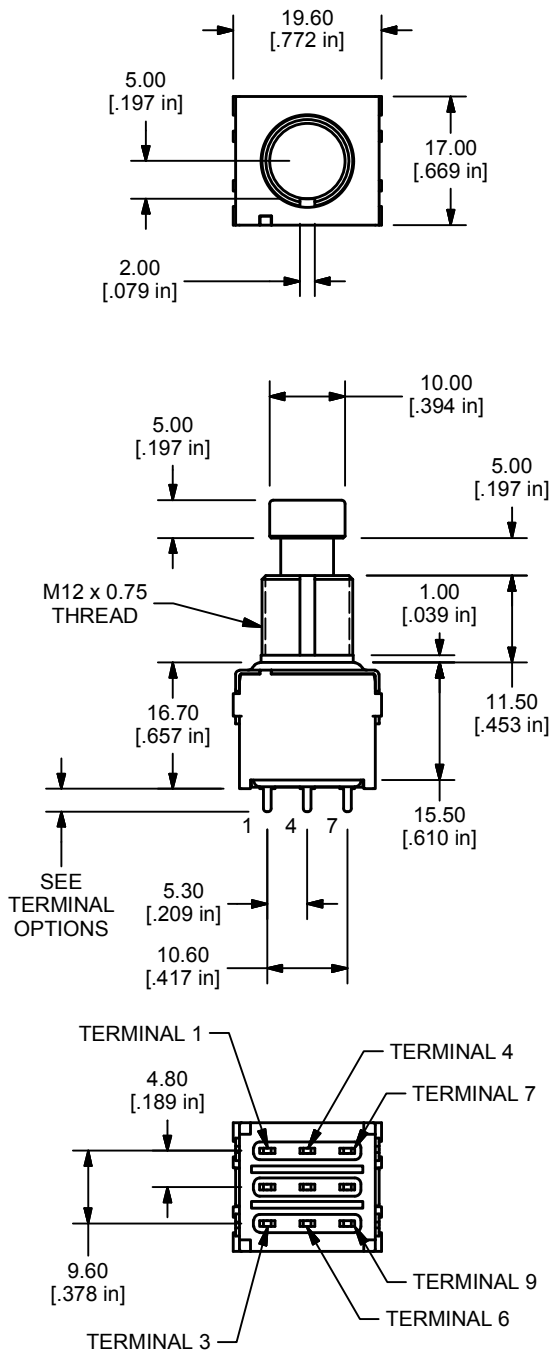
## DOUBLE POLE

- ANTI-VANDAL SWITCHES
- DETECTOR SWITCHES
- DIP SWITCHES
- KEYLOCK SWITCHES
- NAVIGATION SWITCHES
- PUSHBUTTON SWITCHES**
- ROCKER SWITCHES
- ROTARY SWITCHES
- SLIDE SWITCHES
- SNAP ACTION SWITCHES
- TACTILE SWITCHES
- TOGGLE SWITCHES
- CAP OPTIONS



# FS5700 SERIES PUSHBUTTON SWITCH

TRIPLE POLE

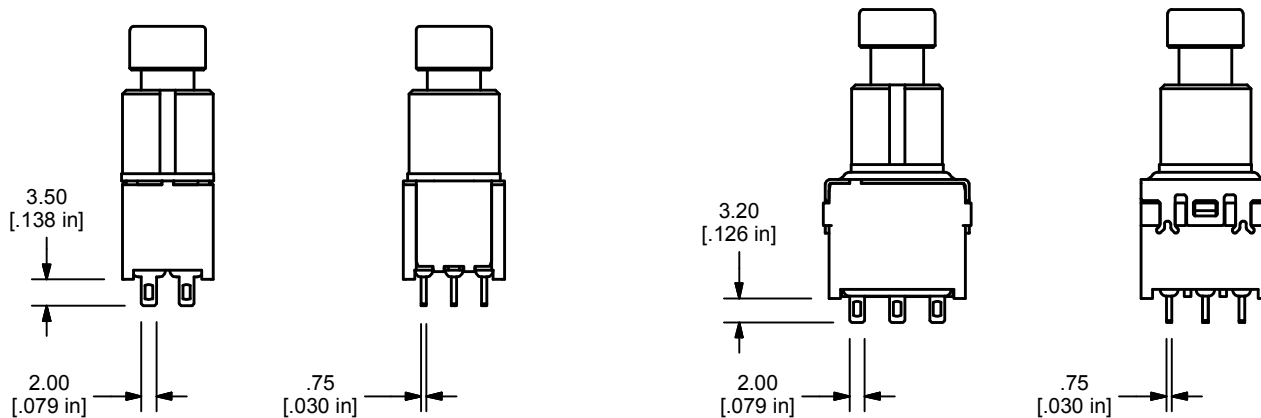


ANTI-VANDAL SWITCHES  
 DETECTOR SWITCHES  
 DIP SWITCHES  
 KEYLOCK SWITCHES  
 NAVIGATION SWITCHES  
**PUSHBUTTON SWITCHES**  
 ROTARY SWITCHES  
 SLIDE SWITCHES  
 SNAP ACTION SWITCHES  
 TACTILE SWITCHES  
 TOGGLE SWITCHES  
 CAP OPTIONS

# FS5700 SERIES PUSHBUTTON SWITCH

## TERMINATION OPTIONS

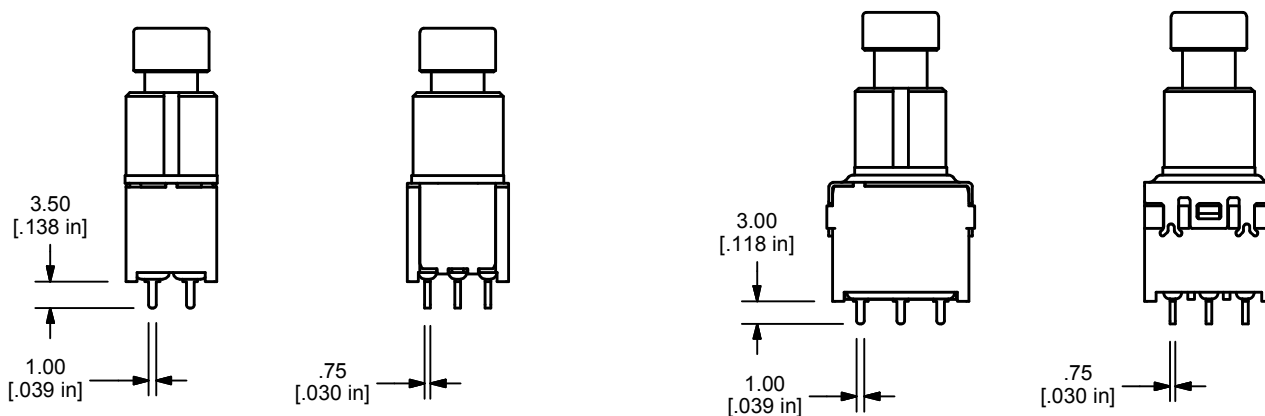
### M1 TERMINATION



M1 TERMINAL FOR 1P OR 2P SWITCH SHOWN

M1 TERMINAL FOR 3P SWITCH

### M2 TERMINATION



M2 TERMINAL FOR 1P OR 2P SWITCH SHOWN

M2 TERMINAL FOR 3P SWITCH

