



Chipsmall Limited consists of a professional team with an average of over 10 year of expertise in the distribution of electronic components. Based in Hongkong, we have already established firm and mutual-benefit business relationships with customers from,Europe,America and south Asia,supplying obsolete and hard-to-find components to meet their specific needs.

With the principle of "Quality Parts,Customers Priority,Honest Operation,and Considerate Service",our business mainly focus on the distribution of electronic components. Line cards we deal with include Microchip,ALPS,ROHM,Xilinx,Pulse,ON,Everlight and Freescale. Main products comprise IC,Modules,Potentiometer,IC Socket,Relay,Connector.Our parts cover such applications as commercial,industrial, and automotives areas.

We are looking forward to setting up business relationship with you and hope to provide you with the best service and solution. Let us make a better world for our industry!



Contact us

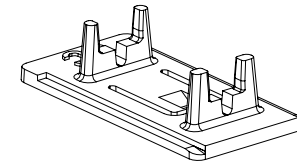
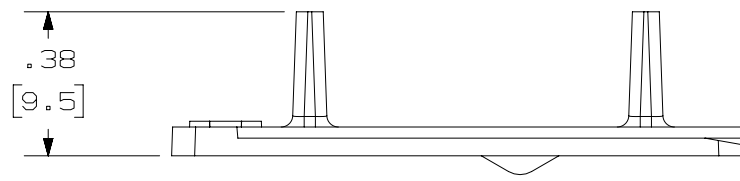
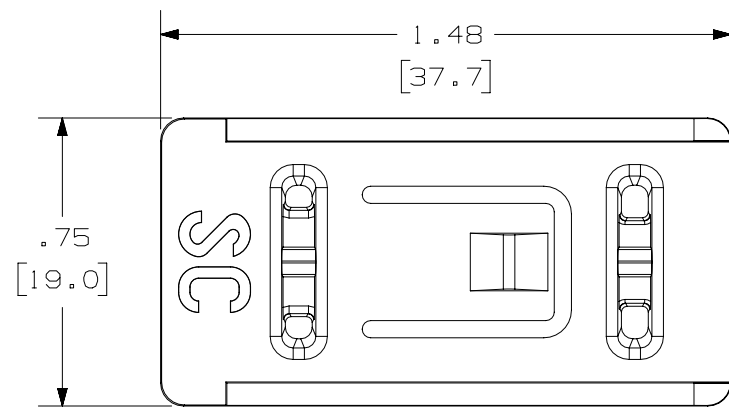
Tel: +86-755-8981 8866 Fax: +86-755-8427 6832

Email & Skype: info@chipsmall.com Web: www.chipsmall.com

Address: A1208, Overseas Decoration Building, #122 Zhenhua RD., Futian, Shenzhen, China



THIS COPY IS PROVIDED ON A RESTRICTED BASIS AND IS NOT TO BE USED IN ANY WAY DETRIMENTAL TO THE INTERESTS OF PANDUIT CORP.



NOTES:

1. SEE CURRENT CATALOG FOR ADDITIONAL PART NUMBER SUFFIXES TO INDICATE COLOR AND OR PACKAGE QUANTITY.
2. SEE CATALOG FOR COMPLETE LIST OF PARTS APPLICABLE FOR USE WITH THIS PART.
3. DIMENSIONS IN () ARE IN METRIC.
4. KIT CONTAINS:
 - 1- SC CONNECOTR CRADLE
 - 1- STRIPPING TEMPLATE
 - 1- SC OPTICAM INSTRUCTION

PART NUMBER		FSCC			
TITLE		OPITCAM SC TOOL CRADLE KIT			
		CUSTOMER DRAWING			
ITEM REVISION NAME		M01893AP/00		PANDUIT	
DATASET FILE NAME		M01893AP_DC/00A			
UNLESS OTHERWISE SPECIFIED, DIMENSIONAL TOLERANCES ARE: IN (mm)					
		.X ±		.XXX ±	
		.XX ±		ANGLES ±	
				THIRD ANGLE PROJECTION	
		DRAWING NUMBER:		01893-24	
DRAWN BY	DATE	CHK	SCALE		
MC	07-19-05	JAWI	NONE	SHT 1 OF 1	
REV	DATE	BY	CHK	APR	DESCRIPTION
1	6/11/15	JSP	WJM	JGSW	B. ADDED VIEWS OF SC CRADLE. A. REVISED DRAWING TITLE BLOCK.
					ECN
					01893-24
				SIZE	A

D101000DA/14