



Chipsmall Limited consists of a professional team with an average of over 10 year of expertise in the distribution of electronic components. Based in Hongkong, we have already established firm and mutual-benefit business relationships with customers from,Europe,America and south Asia,supplying obsolete and hard-to-find components to meet their specific needs.

With the principle of "Quality Parts,Customers Priority,Honest Operation,and Considerate Service",our business mainly focus on the distribution of electronic components. Line cards we deal with include Microchip,ALPS,ROHM,Xilinx,Pulse,ON,Everlight and Freescale. Main products comprise IC,Modules,Potentiometer,IC Socket,Relay,Connector.Our parts cover such applications as commercial,industrial, and automotives areas.

We are looking forward to setting up business relationship with you and hope to provide you with the best service and solution. Let us make a better world for our industry!



## Contact us

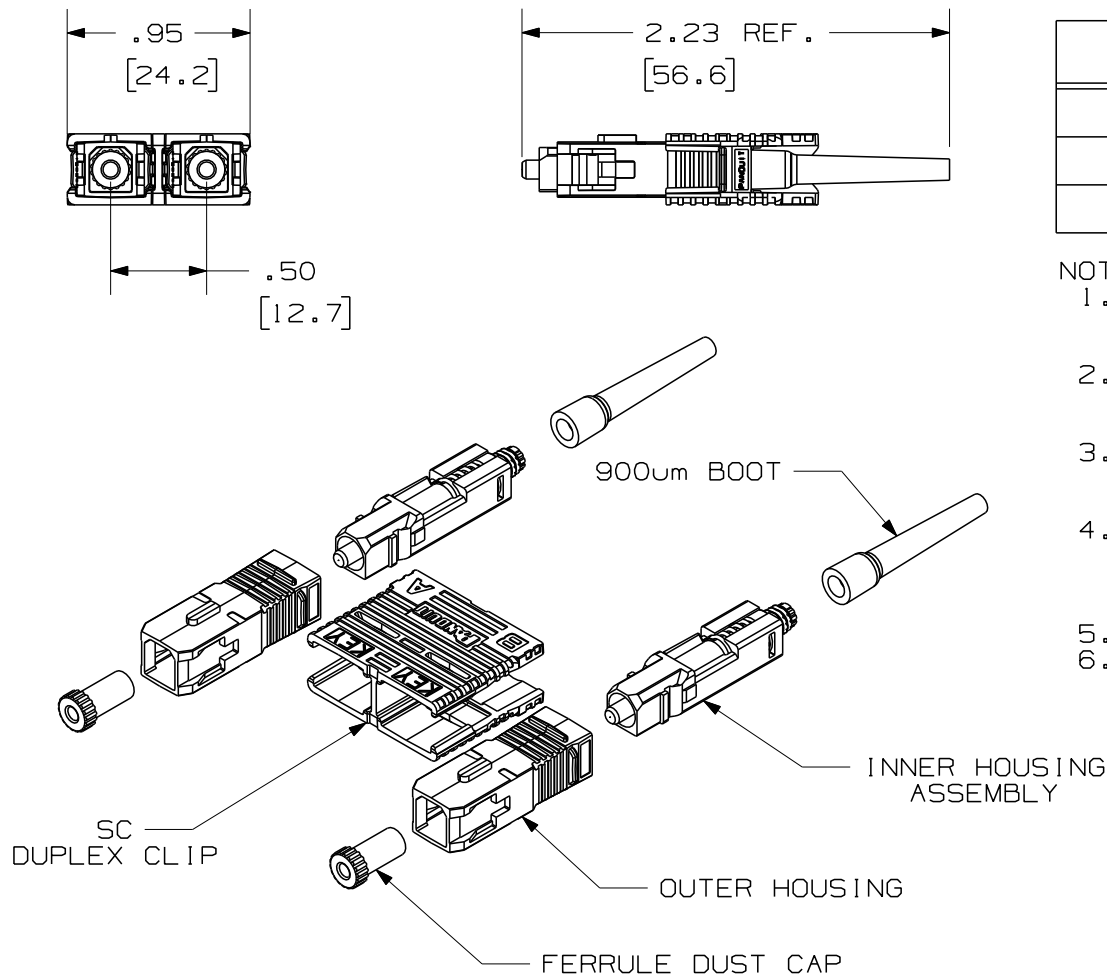
Tel: +86-755-8981 8866 Fax: +86-755-8427 6832

Email & Skype: info@chipsmall.com Web: www.chipsmall.com

Address: A1208, Overseas Decoration Building, #122 Zhenhua RD., Futian, Shenzhen, China



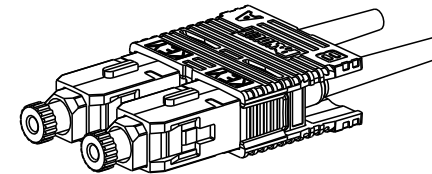
THIS COPY IS PROVIDED ON A RESTRICTED BASIS AND IS NOT TO BE USED IN ANY WAY DETRIMENTAL TO THE INTERESTS OF PANDUIT CORP.



PANDUIT PART NUMBER	FIBER TYPE
FSCDMC5BL	50/125um MULTIMODE
FSCDMC6BL	62.5/125um MULTIMODE
FSCDMCXAQ	50/125um OM3 MULTIMODE

NOTES:

- SEE CATALOG FOR ADDITIONAL PART NUMBER SUFFIXES TO INDICATE COLOR AND/OR PACKAGE QUANTITY.
- ACCEPTS 50/125um, 62.5/125um OR 50/125 OM3 MULTIMODE, 900um BUFFERED GLASS OPTICAL FIBER.
- FULLY COMPLIES WITH THE FIBER OPTIC CONNECTOR PERFORMANCE REQUIREMENTS AS SPECIFIED BY TIA/EIA-568-B.3.
- MATERIAL:  
BODY/HARDWARE: PLASTIC  
BOOT: THERMOPLASTIC RUBBER  
FERRULE: ZIRCONIA CERAMIC
- DIMENSIONS IN BRACKETS ARE METRIC [mm].
- 1.6/2.0mm AND 3.0mm BOOT ASSEMBLIES ARE AVAILABLE.



REV	DATE	BY	CHK	DESCRIPTION	ECN	R	CUST	SUP	OTH
1	08-24-06	MC		RELEASED TO PRODUCTION	01799-39				

OPTICAM DUPLEX SC CONNECTOR  
CUSTOMER DRAWING

<p>PANDUIT<sup>TM</sup> CORP. TINLEY PARK, ILL 60477</p>	<p>THIRD ANGLE PROJECTION</p>	<p>ALL DIMENSIONS ARE GIVEN IN INCHES UNLESS OTHERWISE SPECIFIED.</p> <p>DIMENSIONAL TOLERANCES ARE: (.X) (.XXX) ±.010 (0.3) (.XX) ±.03 (0.8) ANGLES</p>	<p>DRAWING FILENAME MO1799AU_DC_DUP_01A.prt</p> <p>SCALE NONE</p>
	<p>DRAWN BY MC</p> <p>DATE 07-14-05</p> <p>CHK'D JAW</p>	<p>REVIEW DRAWING NUMBERS</p>	<p>PART NO. FSCDMC5BL FSCDMC6BL/FSCDMCXAQ</p> <p>DRAWING NO. 01799-39</p> <p>SIZE A</p>