



Chipsmall Limited consists of a professional team with an average of over 10 year of expertise in the distribution of electronic components. Based in Hongkong, we have already established firm and mutual-benefit business relationships with customers from,Europe,America and south Asia,supplying obsolete and hard-to-find components to meet their specific needs.

With the principle of "Quality Parts,Customers Priority,Honest Operation,and Considerate Service",our business mainly focus on the distribution of electronic components. Line cards we deal with include Microchip,ALPS,ROHM,Xilinx,Pulse,ON,Everlight and Freescale. Main products comprise IC,Modules,Potentiometer,IC Socket,Relay,Connector.Our parts cover such applications as commercial,industrial, and automotives areas.

We are looking forward to setting up business relationship with you and hope to provide you with the best service and solution. Let us make a better world for our industry!



Contact us

Tel: +86-755-8981 8866 Fax: +86-755-8427 6832

Email & Skype: info@chipsmall.com Web: www.chipsmall.com

Address: A1208, Overseas Decoration Building, #122 Zhenhua RD., Futian, Shenzhen, China



SILICON DUAL VARIABLE CAPACITANCE DIODE

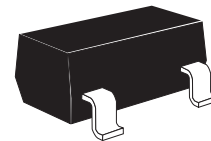
SUMMARY

$V_{BR}=25V$; $I_R=20nA$; $C_d=33pF(Nom)$

DESCRIPTION

The FSD270 is a new hyperabrupt SOT23 packaged dual common cathode varactor diode, offering users both compact circuit design and impressive performance comprising tightly controlled CV characteristics, a capacitance of typically 33 pf @ 2V, excellent phase noise performance and high Q of 200 min.

This superior performance in the VHF and UHF ranges has been optimised to meet the high filtering requirements of a wide range of Digital Audio Broadcasting (DAB) module circuits, mobile radios, pagers, voltage controlled crystal oscillators (VCXO) and temperature controlled crystal oscillators (TCXO).



SOT23

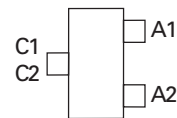
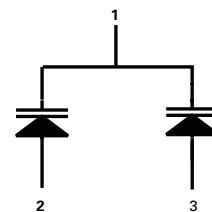
FEATURES

- Common Cathode dual Diode (monolithic construction)
- VHF- UHF operation
- Close tolerance CV characteristics
- High Tuning Ratio
- Low I_R , enabling excellent Phase Noise Performance (I_R typically $< 200pA @ 20V$)
- High Q

APPLICATIONS

- DAB Receiver Modules for use with:
 - Low voltage battery portables
 - Hi-Fi
 - In car radio
 - MP3 players
- Voltage and Temperature Controlled Crystal Oscillators
- Mobile Radio and Pagers.

PIN CONFIGURATION



Top View

ORDERING INFORMATION

DEVICE	REEL SIZE	TAPE WIDTH	QUANTITY PER REEL
FSD270TA	7" (180mm)	8mm embossed	3000 units

The FSD270 is capacitance selected into 3 bands. A reel will only contain one band - A,B or C. Shipments of more than 1 reel may contain reels from different bands.

FSD270

ABSOLUTE MAXIMUM RATINGS.

PARAMETER	SYMBOL	VALUE	UNIT
Forward Current (single diode)	I_F	200	mA
Power Dissipation at $T_{amb}=25^{\circ}C$ (a) Linear Derating Factor	P_D	330 3	mW mW/ $^{\circ}C$
Operating and Storage Temperature Range	$T_j; T_{stg}$	-55 to +150	$^{\circ}C$

NOTES

(a) For a device surface mounted on 25mm x 25mm FR4 PCB with high coverage of single sided 1oz copper, in still air conditions

ELECTRICAL CHARACTERISTICS (at $T_{amb} = 25^{\circ}C$).

PARAMETER	SYMBOL	MIN.	TYP.	MAX.	UNIT	CONDITIONS.
Reverse Breakdown Voltage	V_{BR}	25			V	$I_R = 10\mu A$
Reverse Leakage Current	I_R		0.2	20	nA	$V_R = 20V$
Temperature Coefficient	η			400	ppm/ $^{\circ}C$	$V_R = 3V, f=1MHz$
Diode Capacitance	C_d	29.7	33.0	36.3	pF	$V_R = 2V, f=1MHz$
Capacitance Ratio	C_d / C_d	5.0		6.5		$V_R = 2V/20V, f=1MHz$
Figure of Merit	Q	200				$V_R = 3V, f=50MHz$

Additional CV matching capability:

Zetex recognise that some applications ie filtering in digital audio receiver circuits, require these dual varactors to be very tightly matched. To meet this requirement devices can be supplied tested into capacitance bands at the 2V condition.

Each (TA) reel will contain 3000 devices carrying only diodes tested into a single band and each device will have a partmark identifying the capacitance band which they meet.

As this is a final test measurement customers will not have the option to specify a capacitance at the time of ordering and will be obliged to accept the band into which the devices are tested.

- **Purchase orders** can be placed in multiples of 3000 units / reel for device type **FSD270TA**
- **Samples** can be obtained from Zetex Plc quoting device type **#FSD270TA**

	MIN.	MAX.	UNIT	PART NUMBER
BAND A	29.7	32.1	pF	70A
BAND B	31.9	34.1	pF	70B
BAND C	33.9	36.3	pF	70C



ISSUE 1 - AUGUST 2002

APPLICATIONS INFORMATION

FSD270 in Digital Audio Broadcasting (DAB) Circuits

Digital audio is set to dominate car radio and other mobile radio applications. Most of the required functions can be achieved with a single integrated circuit. One part of the circuit that are not integrated are the Voltage Controlled Oscillator (VCO) used in the Phase-Locked Loop (PLL) channel selection circuit and the tracking filters. Figure 1 shows the FSD270 dual variable capacitance diode (also known as varactor or tuner diode) in a DAB application.

Most textbook circuits show a single variable capacitance diode in place of the FSD270. In practice radio frequency oscillations in the tracking filters can drive the single diode into conduction on peaks increasing the bias voltage and giving rise to undesirable harmonics. Common-cathode variable capacitance diodes are used to overcome this problem. The FSD270 dual common cathode device in the space saving SOT23 package has been optimized for this application. Zetex application note AN9 covers our range of variable capacitance diodes and their applications in detail.

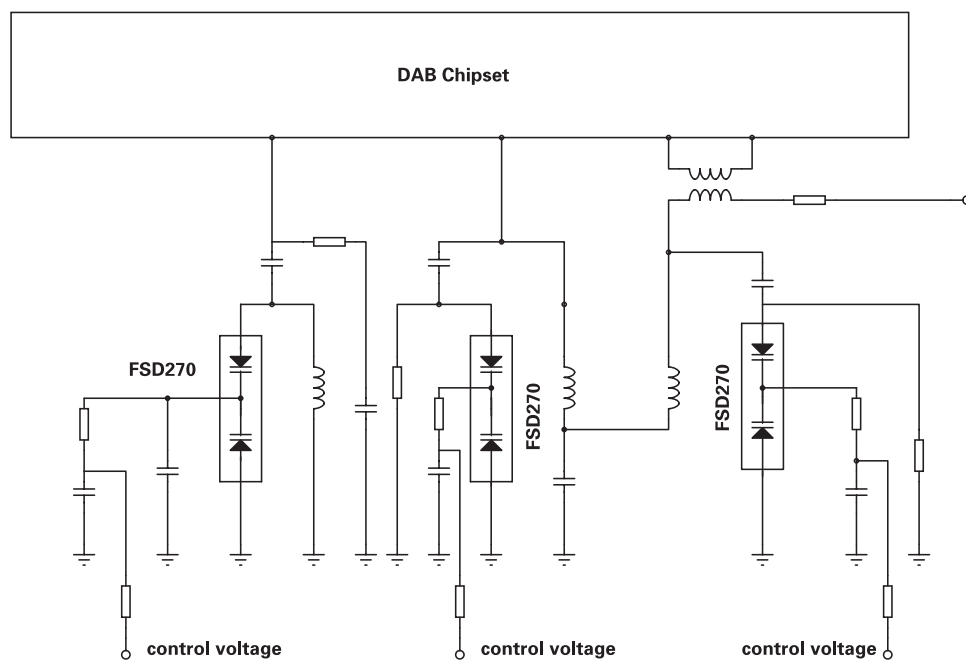
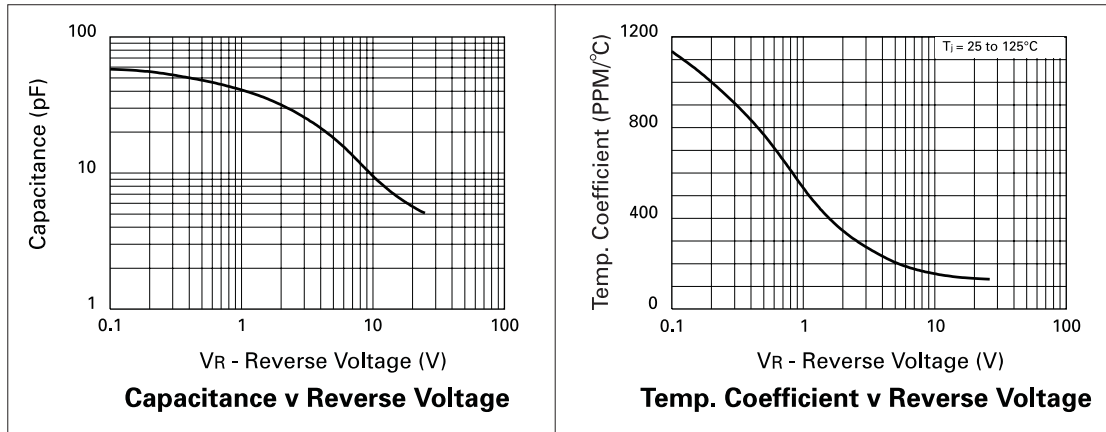


Figure 1.

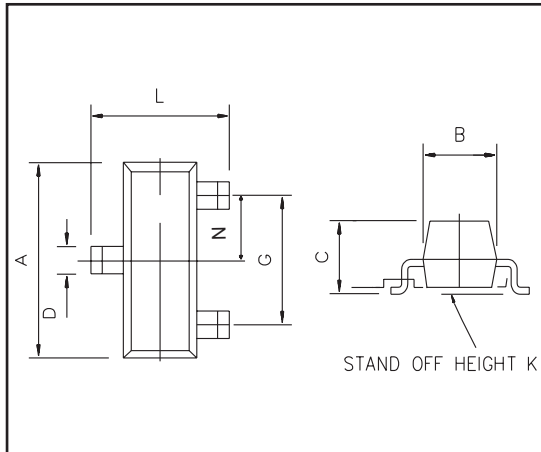
FSD270

CHARACTERISTICS

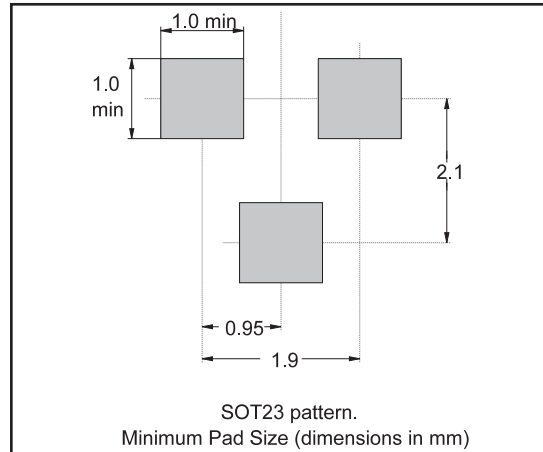


FSD270

PACKAGE OUTLINE



PAD LAYOUT DETAILS



PACKAGE DIMENSIONS

DIM	Millimetres		Inches	
	Min	Max	Min	Max
A	2.67	3.05	0.105	0.120
B	1.20	1.40	0.047	0.055
C	-	1.10	-	0.043
D	0.37	0.53	0.0145	0.021
F	0.085	0.15	0.0033	0.0059
G	NOM 1.9		NOM 0.075	
K	0.01	0.10	0.0004	0.004
L	2.10	2.50	0.0825	0.0985
N	NOM 0.95		NOM 0.037	

© Zetex plc 2002

Europe

Zetex plc
Fields New Road
Chadderton
Oldham, OL9 8NP
United Kingdom
Telephone: (44) 161 622 4422
Fax: (44) 161 622 4420
uk.sales@zetex.com

Zetex GmbH
Streitfeldstraße 19
D-81673 München

Germany
Telefon: (49) 89 45 49 49 0
Fax: (49) 89 45 49 49 49
europe.sales@zetex.com

Americas

Zetex Inc
700 Veterans Memorial Hwy
Hauppauge, NY11788

USA
Telephone: (631) 360 2222
Fax: (631) 360 8222
usa.sales@zetex.com

Asia Pacific

Zetex (Asia) Ltd
3701-04 Metroplaza, Tower 1
Hing Fong Road
Kwai Fong
Hong Kong
Telephone: (852) 26100 611
Fax: (852) 24250 494
asia.sales@zetex.com

These offices are supported by agents and distributors in major countries world-wide.

This publication is issued to provide outline information only which (unless agreed by the Company in writing) may not be used, applied or reproduced for any purpose or form part of any order or contract or be regarded as a representation relating to the products or services concerned. The Company reserves the right to alter without notice the specification, design, price or conditions of supply of any product or service.

For the latest product information, log on to www.zetex.com

ISSUE 1 - AUGUST 2002